

Model No :: **31000LEDD-27K-BS/OPL**
 Name :: **Vail**



Project Name :: _____
 Location :: _____
 Type :: _____
 Quantity :: _____
 Notes :: _____

Product Information

Product ID :: 31000
 UPC Code :: 641594229806
 Mounting Type :: Wall
 Finish :: Brushed Steel (BS)
 Diffuser :: Opal (OPL)
 Alt. Finishes :: N/A
 Alt. Diffusers :: N/A

Product Dimensions

Fixture		Canopy
Length ::	N/A	Length :: 25.5"
Width ::	25.5"	Width :: 2.9"
Diameter ::	N/A	Diameter :: N/A
Extension ::	3.25"	Height :: 1.3"
Height ::	4.25"	
Overall Height ::	N/A Max.	



Technical Specifications

Qualifications

Location Rating :: Damp
 Certification :: cULus
 IES File :: No
 JA8 Compliant :: Yes
 Title 20 Compliant :: N/A
 Energy Star :: Yes
 ADA Compliant :: Yes
 Marine Grade :: No
 Emergency Lighting :: No
 Warranty :: 5 Year Limited

Specifications

Frame Material :: Metal
 Diffuser Material :: Glass
 Voltage :: 120v
 Lamping Type :: Dedicated LED
 Lamping Base :: SSL
 Lamp Quantity :: 1
 Lamp Wattage :: 30 W
 Total Wattage :: 30 W
 Lamps Included :: Yes
 J-Box Type :: Standard

Photometrics

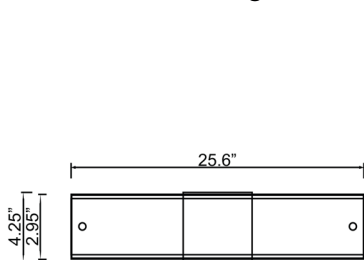
CCT :: 2700
 CRI :: 90
 Wattage :: 30 W
 Nominal Lumens :: 3000
 Delivered Lumens :: 2517

Recommended Dimmers

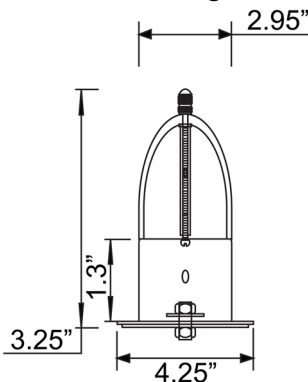
(ELV) LUTRON Diva DVELV-300P; (ELV) LUTRON Diva DVELV-303P; (ELV) LUTRON Skylark SELV-300P

Custom Options :: Alternate Color Temperature Available, Available in 0-10V Dim, Available in 277V; **Additional Items** :: Fully adjustable floating canopy included

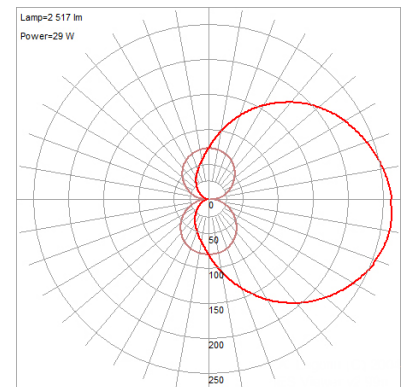
Line Drawing #1



Line Drawing #2



IES File



Toll Free 800-828-5483 or www.AccessLighting.com

14410 Myford Road, Irvine, CA 92606

The information provided is subject to change without notice. ©2018 Access Lighting Corporation. All Rights Reserved
 Rev. 201901 Filename:: 31000LEDD-27K-BS_OPL.pdf

