

access

LIGHTING

INSTALLATION INSTRUCTIONS

IMPORTANT SAFETY INSTRUCTIONS MESURES DE SECURITE A RESPECTURE

Before assembling your ACCESS LIGHTING fixture, please make sure that you carefully read through this instruction sheet. Save this instruction sheet and refer to it when additions to or changes in the fixture configuration are made. Lisez attentivement ce manuel d'instructions. Enregistrer cette feuille d'instructions et de s'y référer lorsque les ajouts ou changements dans la configuration de montage sont faites.

CONSULT A QUALIFIED ELECTRICIAN TO ENSURE CORRECT BRANCH CIRCUIT CONDUCTOR.

CONSULTER UN ELECTRICIEN QUALIFIE POUR VOUS ASSURER QUE LES CONDUCTEURS DE LA DERIVATION SONT ADEQUATS
THIS PRODUCT MUST BE INSTALLED IN ACCORDANCE WITH THE APPLICABLE INSTALLATION CODE BY A PERSON FAMILIAR WITH THE CONSTRUCTION AND OPERATION OF THE PRODUCT AND THE HAZARDS INVOLVED.

CE PRODUIT DOIT ETRE INSTALLE SELON LE CODE D'INSTALLATION PERTINENT, PAR UNE PERSONNE QUI CONNAIT BIEN LE PRODUIT ET SON FONCTIONNEMENT AINSI QUE LES RISQUES INHERENTS

NOTE: The important safeguards and instructions that appear in this manual are not meant to cover all possible conditions and situations that may occur. It must be understood that common sense, caution and care, are factors that can't be built into any product. These factors must be supplied by the person(s) caring for and operating the fixture.

Read all instructions

Do not install this fixture in hazardous locations.

N'installez pas cet appareil dans des emplacements dangereux. Do not install any fixture assembly closer than 6 inches from any curtain or similar combustible material.

Laissez une distance d'au moins 6 pouces entre ce luminaire et la toute surface combustible.

"WARNING Risk of Fire and Electric Shock."

"CAUTION: Risque d' Incendie et de Choc Electriques."

GENERAL INFORMATION

All electrical connections must be in accordance with all ordinances, Local and the U.S. National Electrical Codes (NEC). These fixtures are intended for mounting to a standard 4" metal octagon outlet box. The box must be directly supported by the building structure and U.L. recognized.



COLLECTION	APPLICATION	MODEL NO.
ASPEN	Vanity Fixture	31004LEDSWACD 31004LEDSWAD

Philips Hue connects to other smart devices and services (e.g. voice control), which is enabled by the Philips Hue bridge. *(Sold Separately)*



WHAT WE PROVIDE

- Mounting Hardware
- Fixture Assembly
- Crossbar plate
- 1 x Glass shade
- LED Module
- Wireless Dimmer (See additional manual for use and troubleshooting)

WHAT YOU NEED

- Screwdriver
- Wire Cutters
- Wiring Supplies as Specified by Electrical Code

STEP BY STEP INSTRUCTIONS

Before starting your installation disconnect the Power by turning off the Circuit Breaker or by removing the fuse at the fuse box. Just turning the light off at the light switch is not sufficient to prevent electrical shock.

During installation of this fixture please do not touch the LEDs or RF module. Touching may result in unwanted operation of the Lighting Fixture

MOUNT CROSSBAR AND MAKE WIRE CONNECTIONS

If there is an existing fixture remove it. Expose the supply wires from the J-Box. Secure the Crossbar Set to the junction box with the supplied Mounting Screws (1). Make sure that the Nipple already inserted into the Crossbar Set, faces outwards. Fit the Fixture Wires through the outer hole in the Metal Plate. Connect the BLACK supply wire to the Black wire of the fixture with supplied Wire Nuts (2) ensuring a secure connection. Connect the WHITE supply wire to the White wire from the fixture a secure with supplied Wire Nuts (2). Attach the ground (GREEN) wire from the fixture to the outlet box ground terminal (or to the box ground wire). Secure all wire nuts connections with UL listed electrical tape (Not Provided). Tuck wires carefully into Junction box.

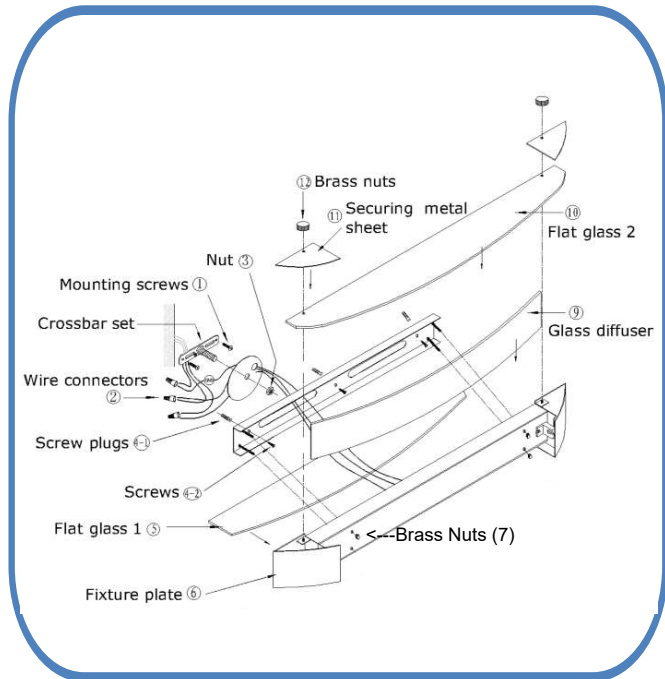
MOUNT THE CANOPY

Determine the best location for your fixture. Position the Floating Back Plate as desired, mark screw holes with a pencil and then drill holes. Place the supplied Screw Plugs (4-1) into the holes. Insert the Nipple through the Center Hole in the Metal plate. Now fit the Nipple through the closest hole available in the Floating Back Plate. Secure with the supplied Nut (3). Secure the Floating Back Plate to the wall with the supplied Screws (4-2). Slide the Flat Glass 1 (5) into the bottom of the fixture (allow to rest on metal shelf). Fit the Fixture Plate (6) over the Floating Back Plate ensuring that the 4 screws mounted to the Fixture Back Plate are placed through the designated holes in the Fixture Plate (6). Secure the Fixture Plate (6) to the Floating Back Plate with the supplied Brass Nuts (7).

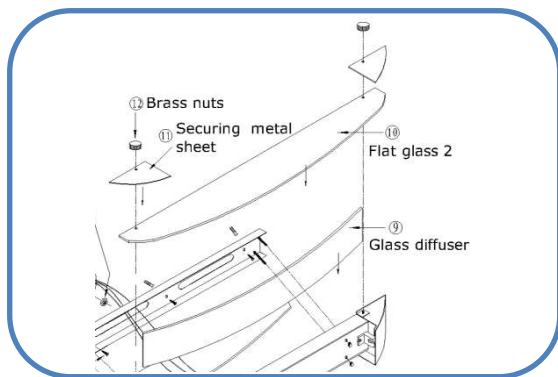
SECURE THE GLASS SHADE

Slide the Glass Diffuser (9) down between the Fixture Plate (6) side and back panels. Place the Flat Glass 2 (10) into the designated area on top of the fixture. Secure with the supplied Securing Metal Sheets (11) and Brass Nuts (12).

RESTORE THE ELECTRICITY AND CHECK THE OPERATION OF YOUR NEW ACCESS LIGHTING FIXTURE

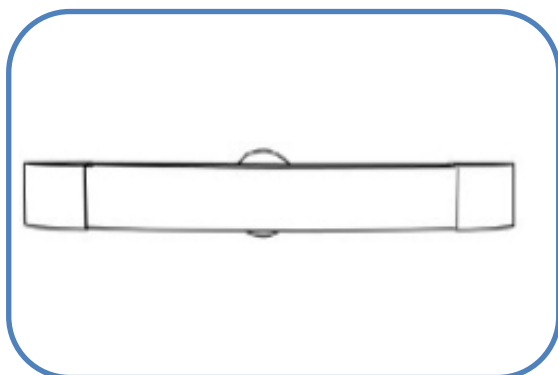


1



2

3



4