

SERIN™ Accessories

TOWEL SHELF
18" TOWEL BAR
24" TOWEL BAR

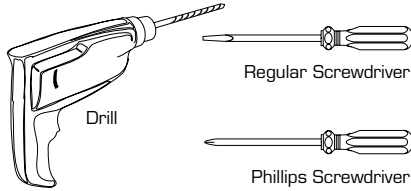
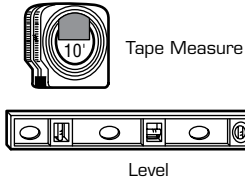
2064.034
2064.018
2064.024

Thank you for selecting American-Standard...the benchmark of fine quality for over 100 years.

To ensure that your installation proceeds smoothly—please read instructions carefully before you begin.

M968953 REV.1.2

Recommended Tools



CARE INSTRUCTIONS:

DO: SIMPLY RINSE THE PRODUCT CLEAN WITH CLEAR WATER. DRY WITH A SOFT COTTON FLANNEL CLOTH.

DO NOT: CLEAN THE PRODUCT WITH SOAPS, ACID, POLISH, ABRASIVES, HARSH CLEANERS, OR A CLOTH WITH A COARSE SURFACE.

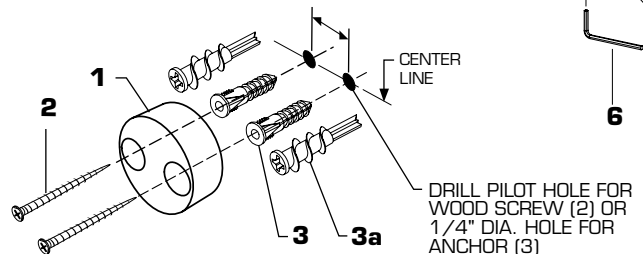
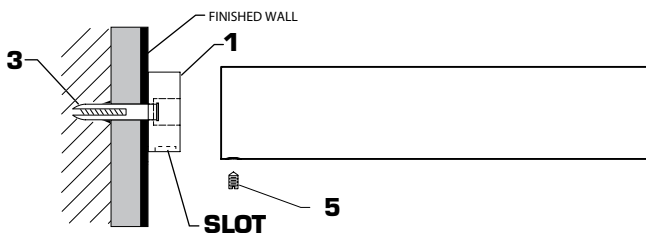
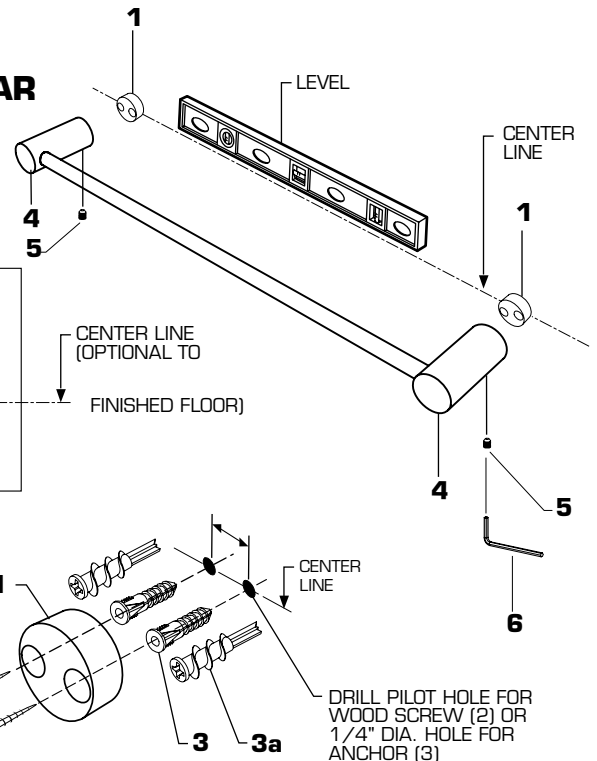
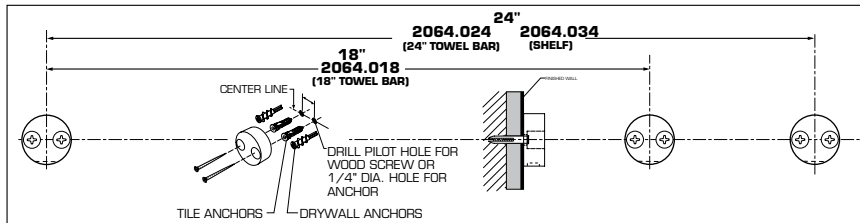
1 18" TOWEL BAR, 24" TOWEL BAR, AND TOWEL SHELF MOUNTING BRACKET INSTALLATION

- The 18" TOWEL BAR, 24" TOWEL BAR, TOWEL SHELF and TOILET TISSUE HOLDER work best if secured to a wall stud or cross brace within the wall, using the SCREWS (2) supplied.
- If the 18" TOWEL BAR, 24" TOWEL BAR, TOWEL SHELF and TOILET TISSUE HOLDER are to be installed on a tile or plaster wall, the TILE ANCHORS (3) or DRYWALL ANCHORS (3a) and SCREWS (2) should be used.
- Determine desired height and location (optional) for the accessory and mark a center line. For the 18"/24" TOWEL BAR and TOWEL SHELF refer to the "Mounting Diagram" to mark hole locations for the MOUNTING BRACKETS (1). If MOUNTING BRACKET (1) is secured to a stud or cross brace drill small pilot holes for SCREWS (2).
- For installations on tiled walls, use TILE ANCHORS (3) and SCREWS (2) for securing MOUNTING BRACKET (1) to wall. Drill two 1/4" diameter holes a minimum of 1-1/4" deep. Insert the two TILE ANCHORS (3) flush with face of finished wall. Place MOUNTING BRACKET (1) over TILE ANCHORS (3) and insert SCREWS (2) provided with #2 Phillips screwdriver. See illustration below.
- For installations on drywall, use DRYWALL ANCHORS (3a) and SCREWS (2) for securing MOUNTING BRACKET (1) to wall. Place #2 Phillips screwdriver or cordless screwdriver into recess of anchor. Press into drywall while turning the anchor clockwise until it is seated flush with the wall. Place MOUNTING BRACKET (1) over DRYWALL ANCHORS (3a) and insert screws provided with #2 Phillips screwdriver. See illustration below.
- Secure MOUNTING PLATES (1) to wall with SCREWS (2).

2 INSTALL 18" TOWEL BAR, AND 24" TOWEL BAR

- Align accessory and place ESCUTCHEON (4) onto MOUNTING BRACKET (1). Secure accessory with SET SCREW (5) using allen key (6).

MOUNTING DIAGRAM



3 INSTALL TOWEL SHELF

- Align accessory and place ESCUTCHEON (4) onto MOUNTING BRACKET (1).
Secure accessory with SET SCREW (5) using allen key (6).

