

Roma

PTRMA6228

62 $\frac{1}{4}$ " L x 28 $\frac{3}{8}$ " W x 24 $\frac{3}{8}$ " H

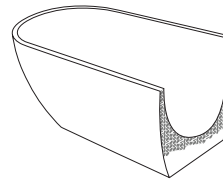
1 other size available

PTRMA6728 66 $\frac{7}{8}$ " L x 28 $\frac{3}{8}$ " W x 26" H



- Tub Finish White Gloss
- Drain and Overflow Finish White
 Polished Chrome
 Brushed Nickel
 Matte Black

- Material Acrylic
- Slope of Backrest 117°
- Water Depth 14"
- Capacity 48G
- Weight 79lbs
- Shipping Weight 118lbs

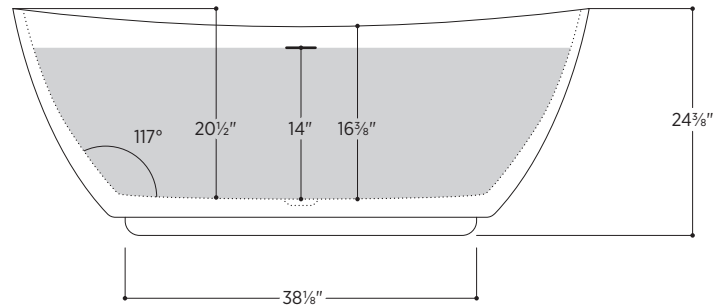
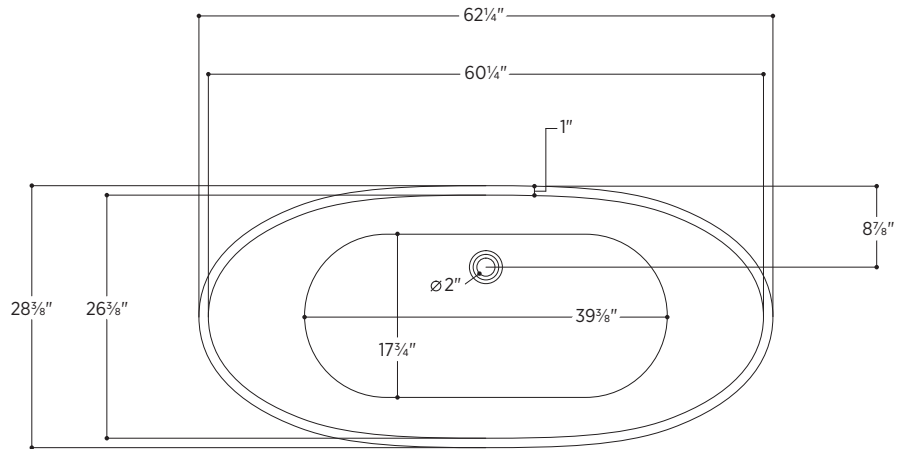


Foam Insulation *optional*

- Foam gives an added layer of solidity to the tub
- It reduces the noise level when filling
- It keeps the water warm longer

Roma

PTRMA6228



All measurements are approximate and for comparison only. Please note that these dimensions and specifications are subject to change without notice.

Install this product according to the installation guide. Floor support under bath must provide for a minimum of 995lbs (451kg). Installation may vary. Our products must be installed by certified professionals only and according to our installation guide, as well as federal, provincial/state and local building codes and regulations.

Codes/Standards Applicable:
Meets or exceeds ANSI/ASME standard Z124.1.2
and CAN/CSA B 45 requirements
IAPMO/UPC/cUPC



5 Year Warranty for Residential Use