

Milano

PTMLN5928

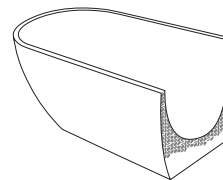
59" L x 27½" W x 22½" H

1 other size available

PTMLN7032 70" L x 31½" W x 22" H



Tub Finish	<input type="radio"/> White Gloss
Drain and Overflow Finish	<input type="radio"/> White
	<input type="radio"/> Polished Chrome
	<input type="radio"/> Brushed Nickel
	<input checked="" type="radio"/> Matte Black
Material	Acrylic
Slope of Backrest	121°
Water Depth	15¾"
Capacity	63G
Weight	72.8lbs
Shipping Weight	103.6lbs

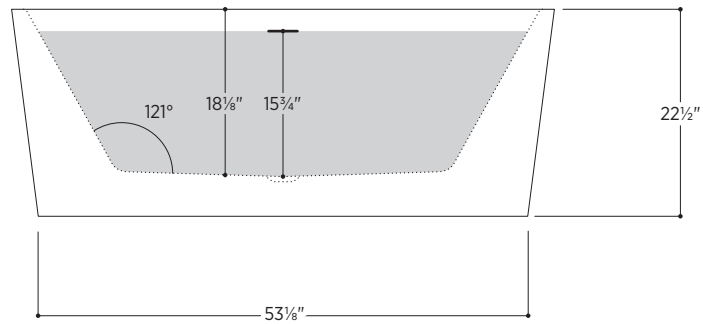
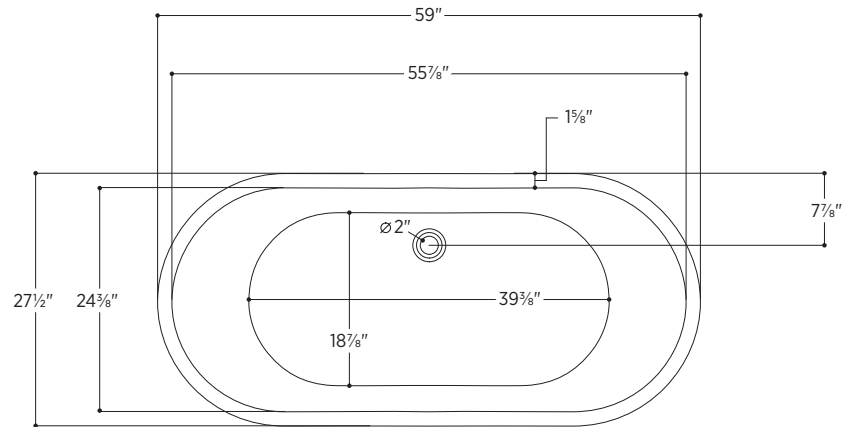


Foam Insulation *optional*

- Foam gives an added layer of solidity to the tub
- It reduces the noise level when filling
- It keeps the water warm longer

Milano

PTMLN5928



All measurements are approximate and for comparison only. Please note that these dimensions and specifications are subject to change without notice.

Install this product according to the installation guide. Floor support under bath must provide for a minimum of 995lbs (451kg). Installation may vary. Our products must be installed by certified professionals only and according to our installation guide, as well as federal, provincial/state and local building codes and regulations.

Codes/Standards Applicable:
Meets or exceeds ANSI/ASME standard Z124.1.2
and CAN/CSA B 45 requirements
IAPMO/UPC/cUPC



5 Year Warranty for Residential Use