

Firenze

PTFRZ5930

PTFRZ5930

59" L x 30" W x 23⁵/₈" H

2 other sizes available

PTFRZ6331

63" L x 30³/₄" W x 23⁵/₈" H

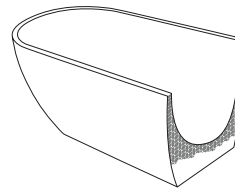
PTFRZ6732

67" L x 32¹/₄" W x 23⁵/₈" H



Material	Acrylic
Color/Finish	White Gloss
Slope of Backrest	108°
Water Depth	16 ¹ / ₈ "
Capacity	46G
Weight	83lbs (37.6kg)
Shipping Weight	116lbs (52.6kg)

Freestanding acrylic bathtub
Streamlined, high-profile one-piece design
Includes waste and slot overflow in polished chrome
Optional waste and slot overflow in brushed nickel



Foam Insulation

optional

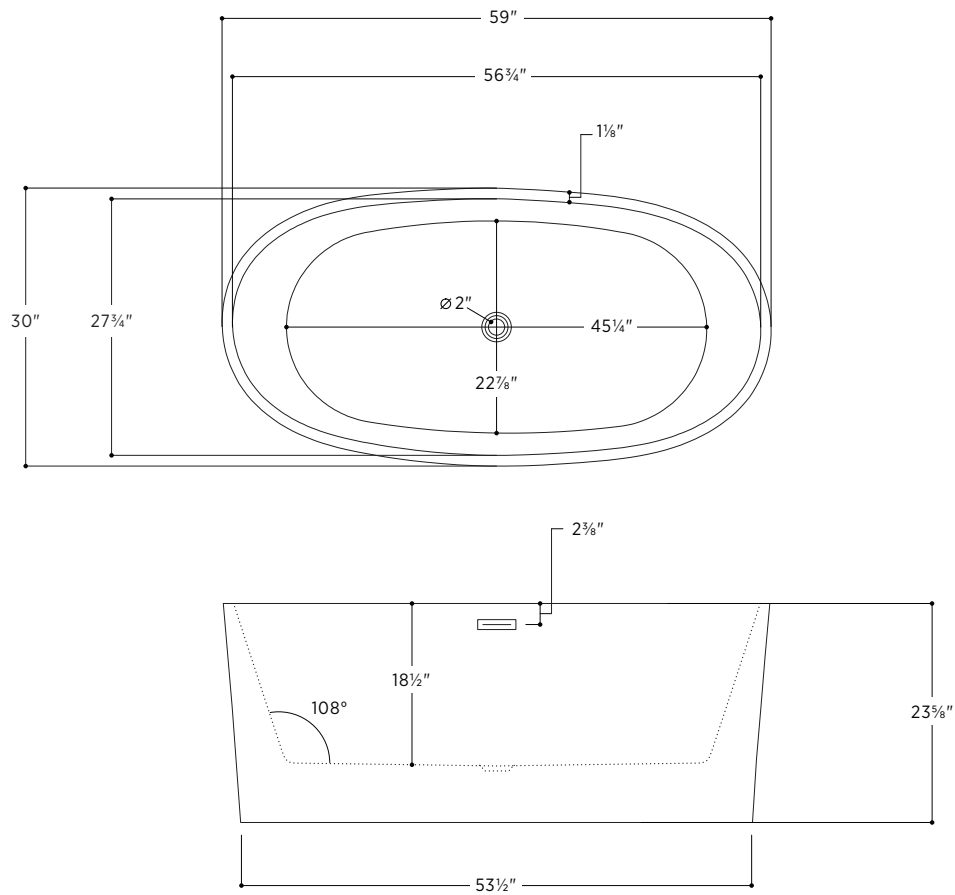
The foam insulation solidifies the tub, reduces noise level when filling, and keeps the water warm longer.

Firenze

PTFRZ5930

PTFRZ5930

59" L x 30" W x 23⁵/₈" H



All measurements are approximate and for comparison only. Please note that these dimensions and specifications are subject to change without notice.

Install this product according to the installation guide. Floor support under bath must provide for a minimum of 995lbs (451kg). Installation may vary. Our products must be installed by certified professionals only and according to our installation guide, as well as federal, provincial/state and local building codes and regulations.

Codes/Standards Applicable:

Meets or exceeds ANSI/ASME standard Z124.1.2
and CAN/CSA B 45 requirements

IAPMO/UPC/cUPC

5 Year Warranty for Residential Use

