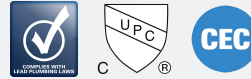
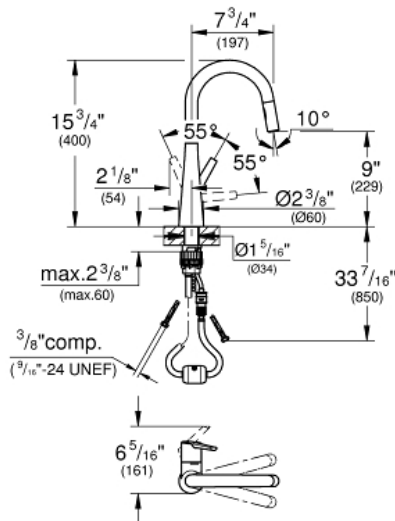


LADYLUX
Single-Handle Kitchen Faucet
MODEL # 32226003

Pure Freude
an Wasser

GROHE



Product Description:
LADYLUX
Single-Handle Kitchen Faucet

Standard Specification:

- Single hole installation
- **GROHE StarLight** chrome finish
- **GROHE SilkMove** 1.4" (35 mm) ceramic cartridge
- GROHE Magnetic Docking guarantees easy retraction and smooth docking of the spray head back to the starting position
- Pull-out dual spray
- Diverter: laminar spray/SpeedClean shower jet
- Automatic return to laminar spray
- Adjustable flow rate limiter
- Swivel Spout
- Check valve included to prevent backflow
- Stainless steel flex lines
- GROHE QuickFix Plus ultra fast and simple installation - no tools needed
- 1.75 gpm

Applicable Codes & Standards:

- Energy Policy Act of 1992
- NSF 61
- ASME A112.18.1/CSA B125.1
- US Federal and State material regulations
- CalGreen
- LOGO CEC

Color:

- 32226003 StarLight Chrome