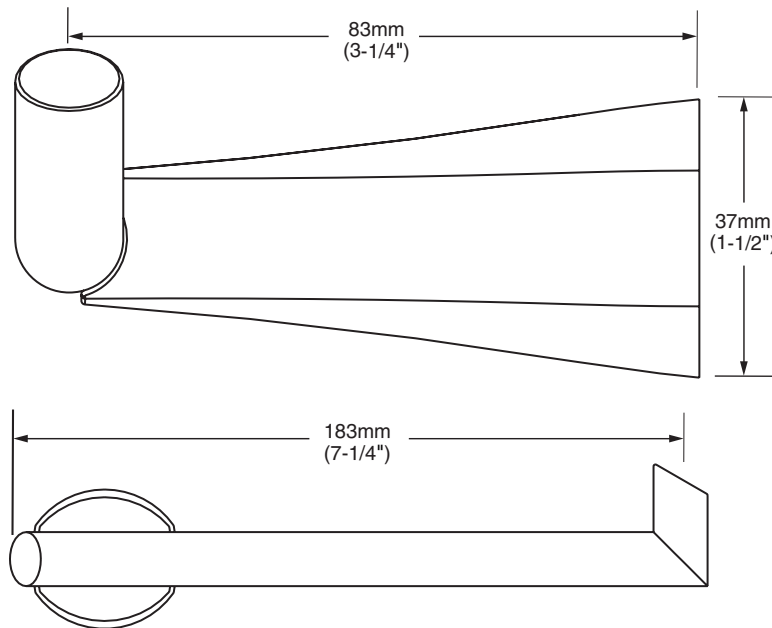


MODEL NUMBER:

☐ 7010.230 Toilet Paper Holder

Available Finishes

| | |
|------|---------------------|
| .002 | Polished Chrome |
| .075 | PVD Stainless Steel |



PRODUCT FEATURES:

Heavy Duty Construction: Highest quality materials for durability & long life.

Concealed Mounting: No exposed set screws.

Easy to Install

Durability of Finishes: Chrome and PVD finishes will never tarnish.

SUGGESTED SPECIFICATION:

Toilet Paper Holder shall feature heavy-duty construction with tarnish - free PVD finish. Shall feature concealed mounting with no exposed set screws. Toilet Paper Holder shall be American Standard Model # 7010.230.____.

American Standard

Style That Works Better
