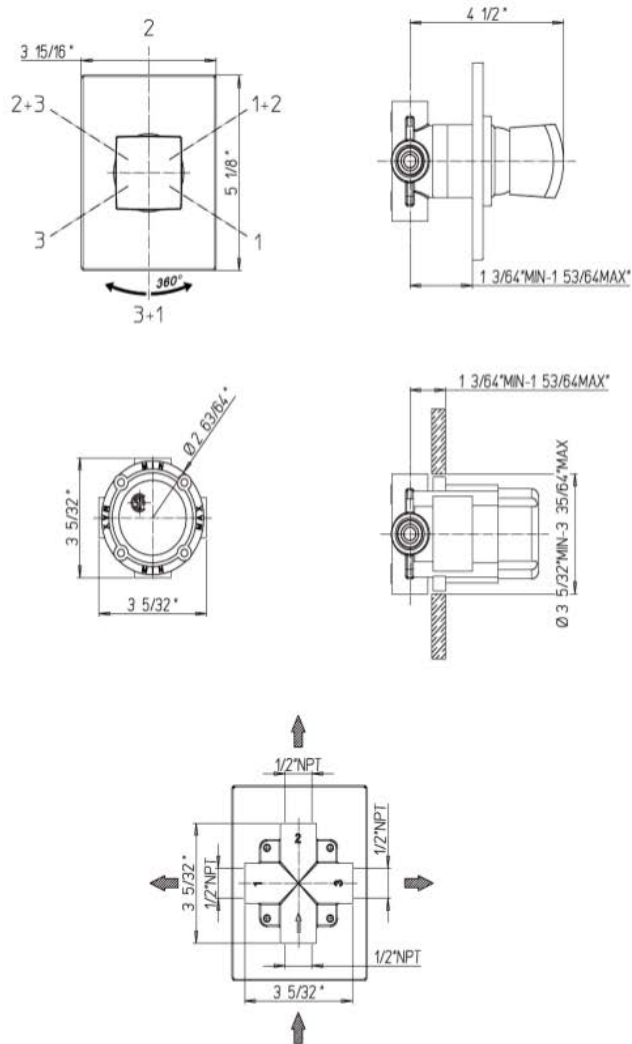


89-711



Lady $\frac{3}{4}''$ thermostatic valve only
 $\frac{3}{4}''$ inlet connections
 Rough included.



Lady Series

89-711

Thermostatic Valve,
Transitional Styling

STANDARDS

- Compliant with ASME A112.18.1-B125.1
- Compliant with AB1953
- Compliant with ANSI NSF61 – Annex G
- Certified by CSA International
- Compliant with ANSI A117.1

Finishes	89CR711	89PW711	89OK711
Polished Chrome	X		
Brushed Nickel		X	
Satin Gold			X

Features	89CR711	89PW711	89OK711
Solid Brass Construction	X	X	X
3/4" Thermostatic Valve	X	X	X
3/4" Inlet Connections	X	X	X
Meets NSF 61/9 Annex G Lead Requirements	X	X	X
ADA Compliant	X	X	X
Step-By-Step Installation Instructions Limited	X	X	X
Lifetime Warranty	X	X	X

1-866-668-6690
1571 MAIN RD
NEWFIELD, NJ 08344

www.paini-usa.com