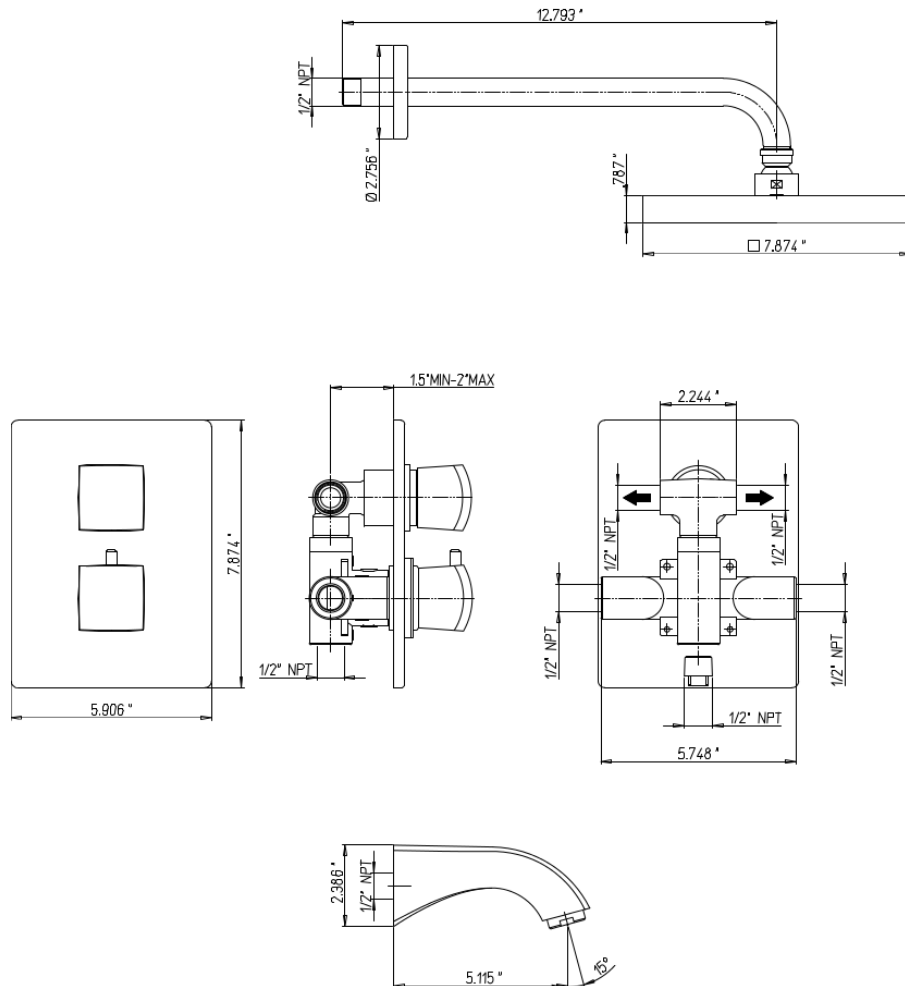


89-691



Lady thermostatic valve with 2-way
diverter volume control
 $\frac{1}{2}$ " inlet connections
Rough included.



Lady Series

89-691

Thermostatic Valve,
Transitional Styling

STANDARDS

- Compliant with ASME A112.18.1-B125.1
- Compliant with AB1953
- Compliant with ANSI NSF61 – Annex G
- Certified by CSA International
- Compliant with ANSI A117.1

Finishes	89CR691	89PW691	89OK691
Polished Chrome	X		
Brushed Nickel		X	
Satin Gold			X

Features	89CR691	89PW691	89OK691
Solid Brass Construction	X	X	X
2-Way Diverter Volume Control	X	X	X
Independent Temperature Control	X	X	X
Thermostatic Cartridge	X	X	X
Extra Bottom Exit To Add Extra Volume Control	X	X	X
Step-By-Step Installation Instructions	X	X	X
8.82 GPM	X	X	X

1-866-668-6690
1571 MAIN RD
NEWFIELD, NJ 08344

www.paini-usa.com