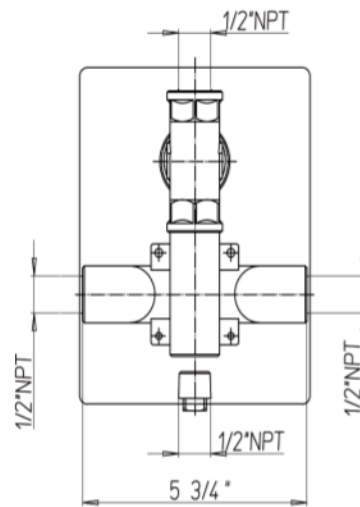
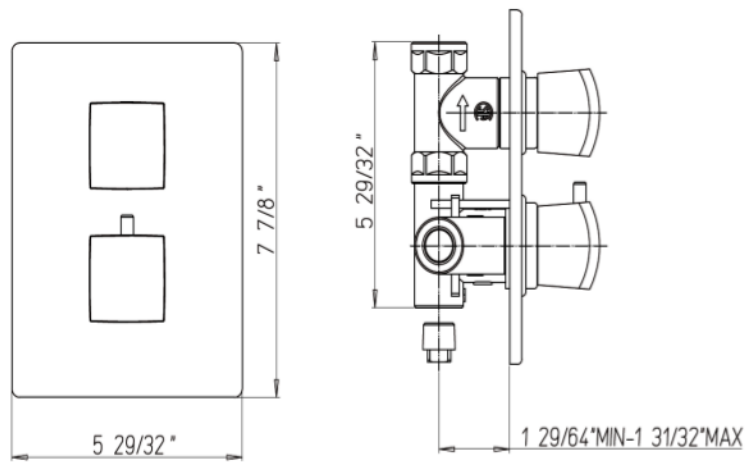




89-690



Lady thermostatic valve with $\frac{3}{4}$ " ceramic disk valve volume control
 $\frac{1}{2}$ " inlet connections
Rough included.



Lady Series

89-690

Thermostatic Valve,
Transitional Styling

STANDARDS

- Compliant with ASME A112.18.1-B125.1
- Compliant with AB1953
- Compliant with ANSI NSF61 – Annex G
- Certified by CSA International
- Compliant with ANSI A117.1

Finishes	89CR690	89PW690	89OK690
Polished Chrome	X		
Brushed Nickel		X	
Satin Gold			X

Features	89CR690	89PW690	89OK690
Solid Brass Construction	X	X	X
3/4" Thermostatic Valve	X	X	X
1/2" Inlet Connections	X	X	X
Thermostatic Cartridge	X	X	X
3/4" Ceramic Disc Valves	X	X	X
Step-By-Step Installation Instructions	X	X	X
7.76 GPM	X	X	X

1-866-668-6690
1571 MAIN RD
NEWFIELD, NJ 08344

www.paini-usa.com