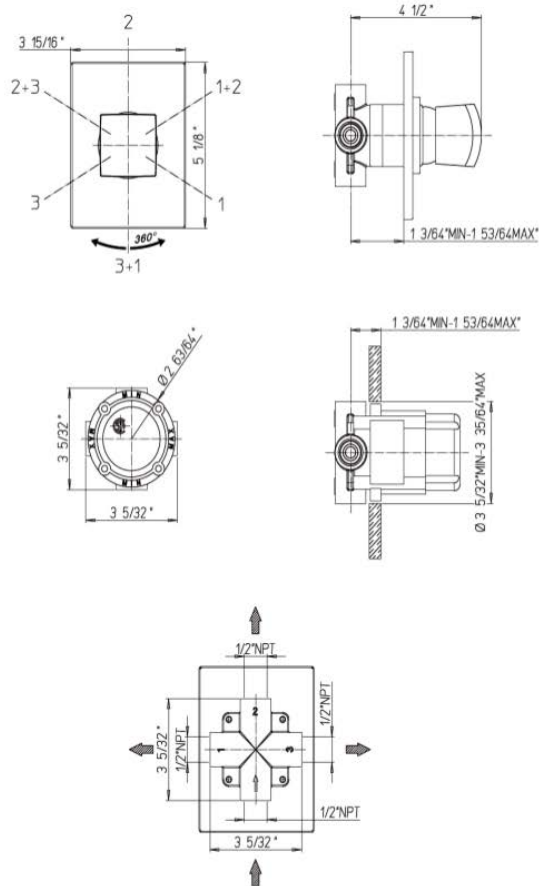


89-425



Lady 3-way diverter
 $\frac{3}{4}$ " ceramic disk valve
 $\frac{1}{2}$ " inlet connections
 Rough included.



Lady Series

89-425

3-Way Diverter, Transitional Styling

STANDARDS

- Compliant with ASME A112.18.1-B125.1
- Compliant with AB1953
- Compliant with ANSI NSF61 – Annex G
- Certified by CSA International
- Compliant with ANSI A117.1

Finishes	89CR425	89PW425	89OK425
Polished Chrome	X		
Brushed Nickel		X	
Satin Gold			X

Features	89CR425	89PW425	89OK425
Solid Brass Construction	X	X	X
3/4" ceramic disk valve	X	X	X
1/2" inlet connections	X	X	X
Meets NSF 61/9 Annex G Lead Requirements	X	X	X
ADA Compliant	X	X	X
Step-By-Step Installation Instructions Limited	X	X	X
Lifetime Warranty	X	X	X

1-866-668-6690
 1571 MAIN RD
 NEWFIELD, NJ 08344

www.paini-usa.com

