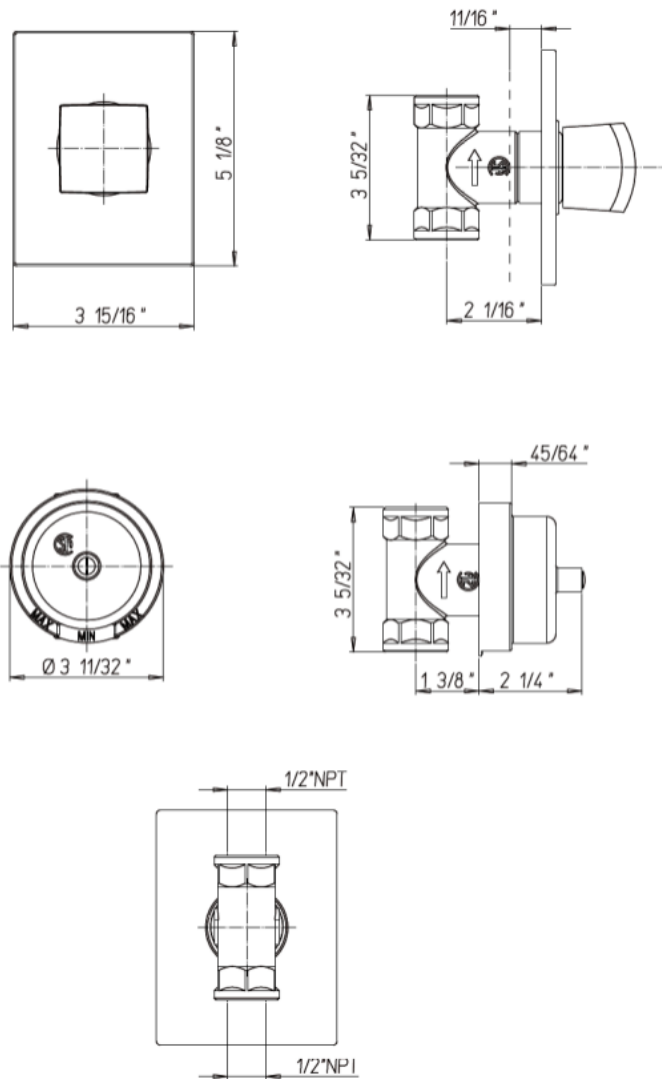


89-402



Lady volume control
 $\frac{3}{4}''$ ceramic disk valve
 $\frac{3}{4}''$ inlet connections
 Rough included.



Lady Series

89-402

Volume Control, Transitional Styling

STANDARDS

- Compliant with ASME A112.18.1-B125.1
- Compliant with AB1953
- Compliant with ANSI NSF61 – Annex G
- Certified by CSA International
- Compliant with ANSI A117.1

Finishes	89CR402	89PW402	89OK402
Polished Chrome	X		
Brushed Nickel		X	
Satin Gold			X

Features	89CR402	89PW402	89OK402
Solid Brass Construction	X	X	X
3/4" ceramic disk valve	X	X	X
1/2" inlet connections	X	X	X
Ceramic Cartridges Allow For Precise Flow Control	X	X	X
ADA Compliant	X	X	X
Step-By-Step Installation Instructions	X	X	X
12.49 GPM	X	X	X

1-866-668-6690
 1571 MAIN RD
 NEWFIELD, NJ 08344

www.paini-usa.com