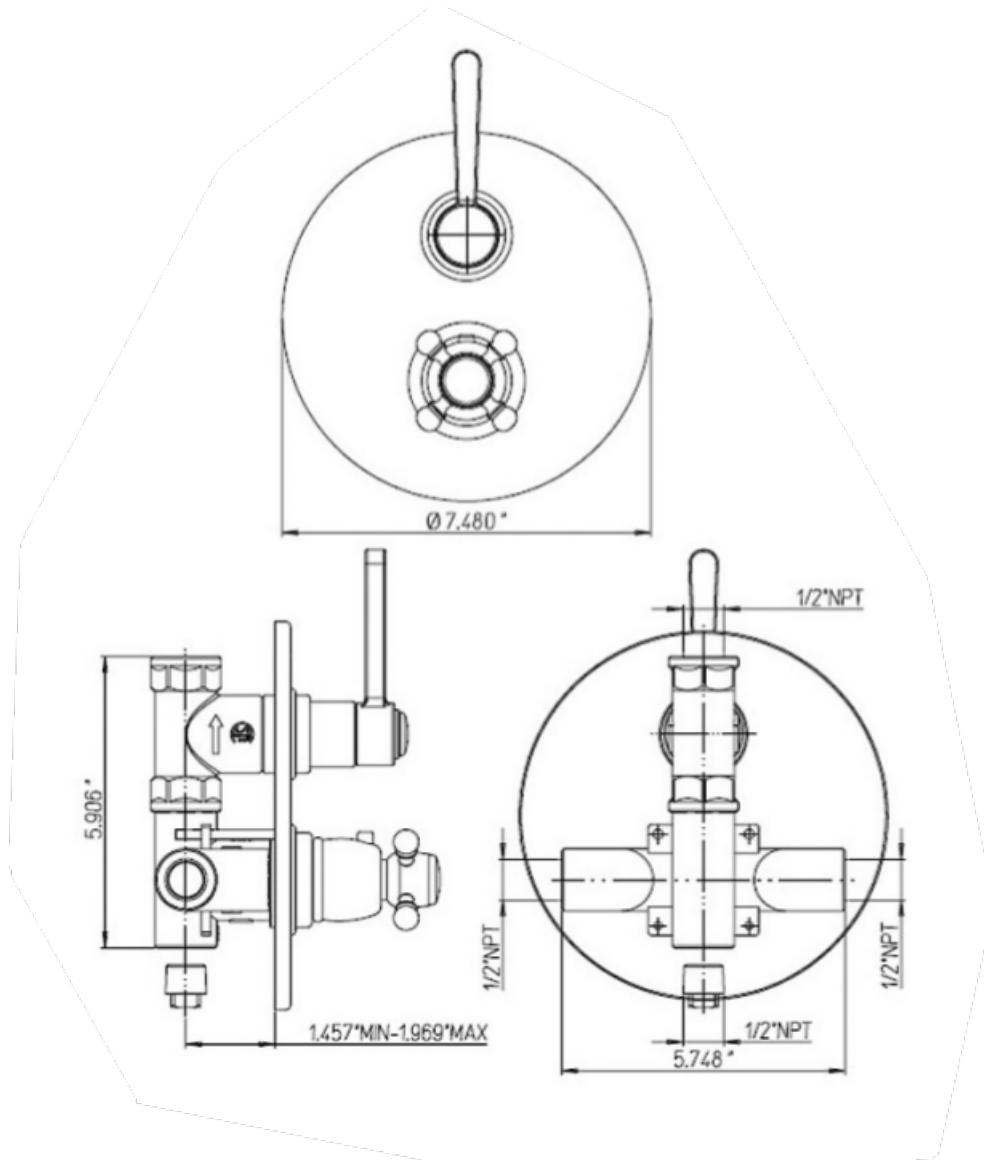




LATOSCANA
by Pirelli

88-690



Firenze thermostatic valve with
 $\frac{3}{4}$ " ceramic disk volume control
 $\frac{1}{2}$ " inlet connections



Firenze Series

88-690

Thermostatic Valve,
Transitional Styling

STANDARDS

- Compliant with ASME A112.18.1-B125.1
- Compliant with AB1953
- Compliant with ANSI NSF61 – Annex G
- Certified by CSA International
- Compliant with ANSI A117.1

Finishes

	88CR690	88PW690
Polished Chrome	X	
Brushed Nickel		X

Features

	88CR690	88PW690
Solid Brass Construction	X	X
3/4" Ceramic Disk Volume Control	X	X
Thermostatic Cartridge	X	X
3/4" Ceramic Disc Valves	X	X
Step-By-Step Installation Instructions	X	X
7.76 GPM	X	X

1-866-668-6690
1571 MAIN RD
NEWFIELD, NJ 08344

www.paini-usa.com