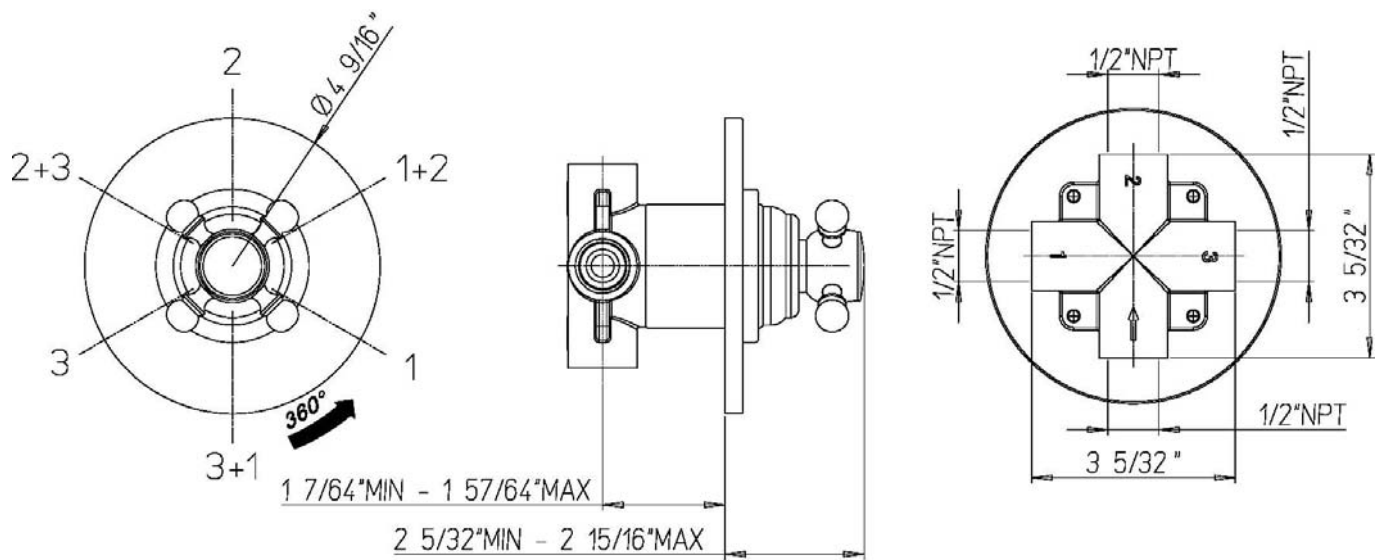


88-425



Firenze 3-way diverter
 $3/4''$ ceramic disk valve
 $1/2''$ inlet connections

SPECIFICATION SUBMITTAL

Firenze Series

88-425

3-Way Diverter, Transitional Styling

STANDARDS

- Compliant with ASME A112.18.1-B125.1
- Compliant with AB1953
- Compliant with ANSI NSF61 – Annex G
- Certified by CSA International
- Compliant with ANSI A117.1

Finishes	88CR425	88PW425
Polished Chrome	X	
Brushed Nickel		X

Features	88CR425	88PW425
Solid Brass Construction	X	X
3/4" ceramic disk valve	X	X
1/2" inlet connections	X	X
Meets NSF 61/9 Annex G Lead Requirements	X	X
ADA Compliant	X	X
Step-By-Step Installation Instructions Limited	X	X
Lifetime Warranty	X	X

1-866-668-6690
1571 MAIN RD
NEWFIELD, NJ 08344

www.paini-usa.com

