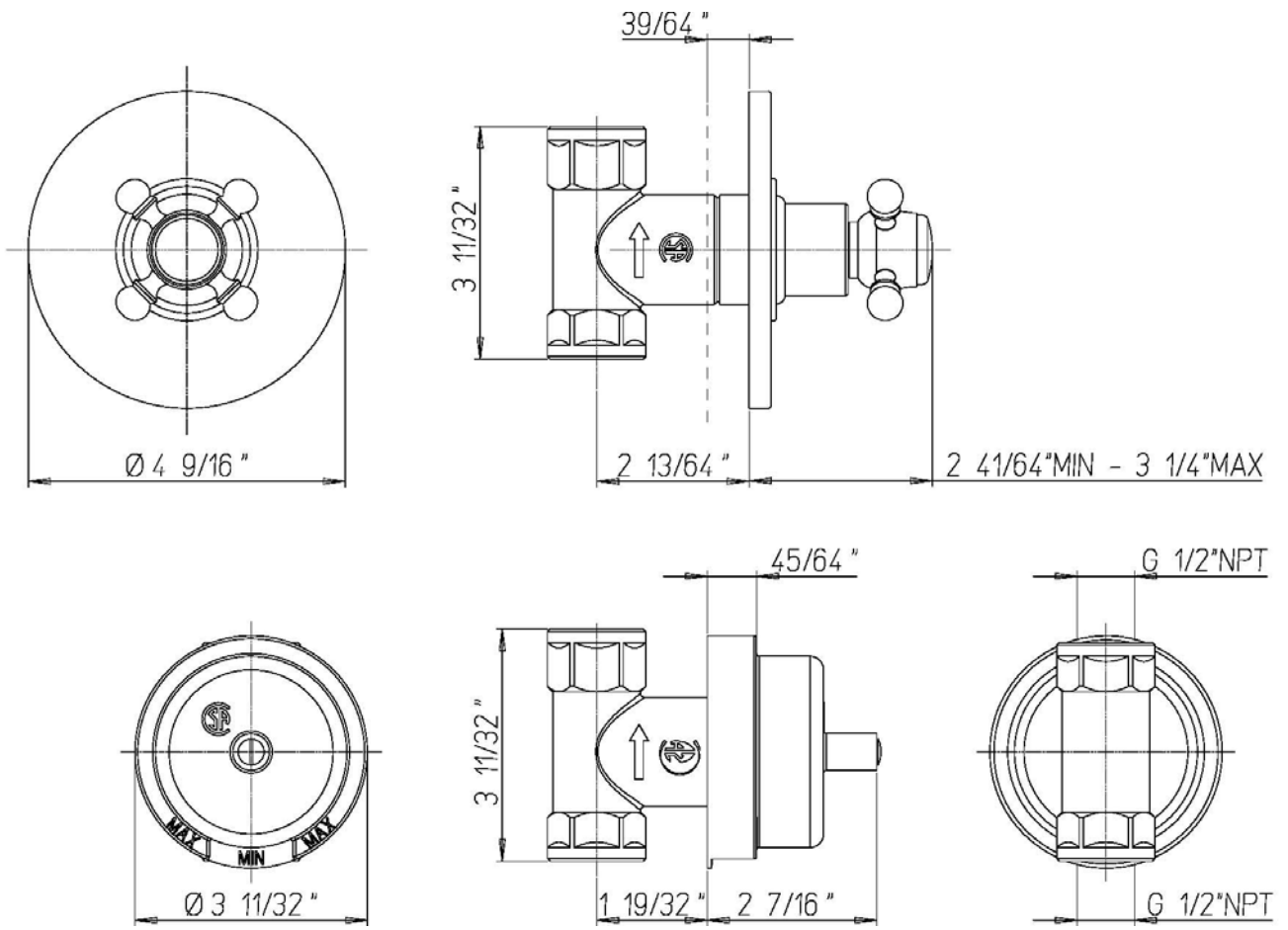




LATOSCANÀ  
by Piani

# 88-400



Firenze volume control  
 $\frac{3}{4}''$  ceramic disk valve  
 $\frac{1}{2}''$  inlet connections

## Firenze Series

### 88-400

Volume Control, Transitional Styling

### STANDARDS

- Compliant with ASME A112.18.1-B125.1
- Compliant with AB1953
- Compliant with ANSI NSF61 – Annex G
- Certified by CSA International
- Compliant with ANSI A117.1

<b>Finishes</b>	88CR400	88PW400
Polished Chrome	X	
Brushed Nickel		X

<b>Features</b>	88CR400	88PW400
Solid Brass Construction	X	X
3/4" ceramic disk valves	X	X
1/2" inlet connections	X	X
Ceramic Cartridges Allow For Precise Flow Control	X	X
ADA Compliant	X	X
Step-By-Step Installation Instructions	X	X

1-866-668-6690  
 1571 MAIN RD  
 NEWFIELD, NJ 08344

[www.paini-usa.com](http://www.paini-usa.com)

