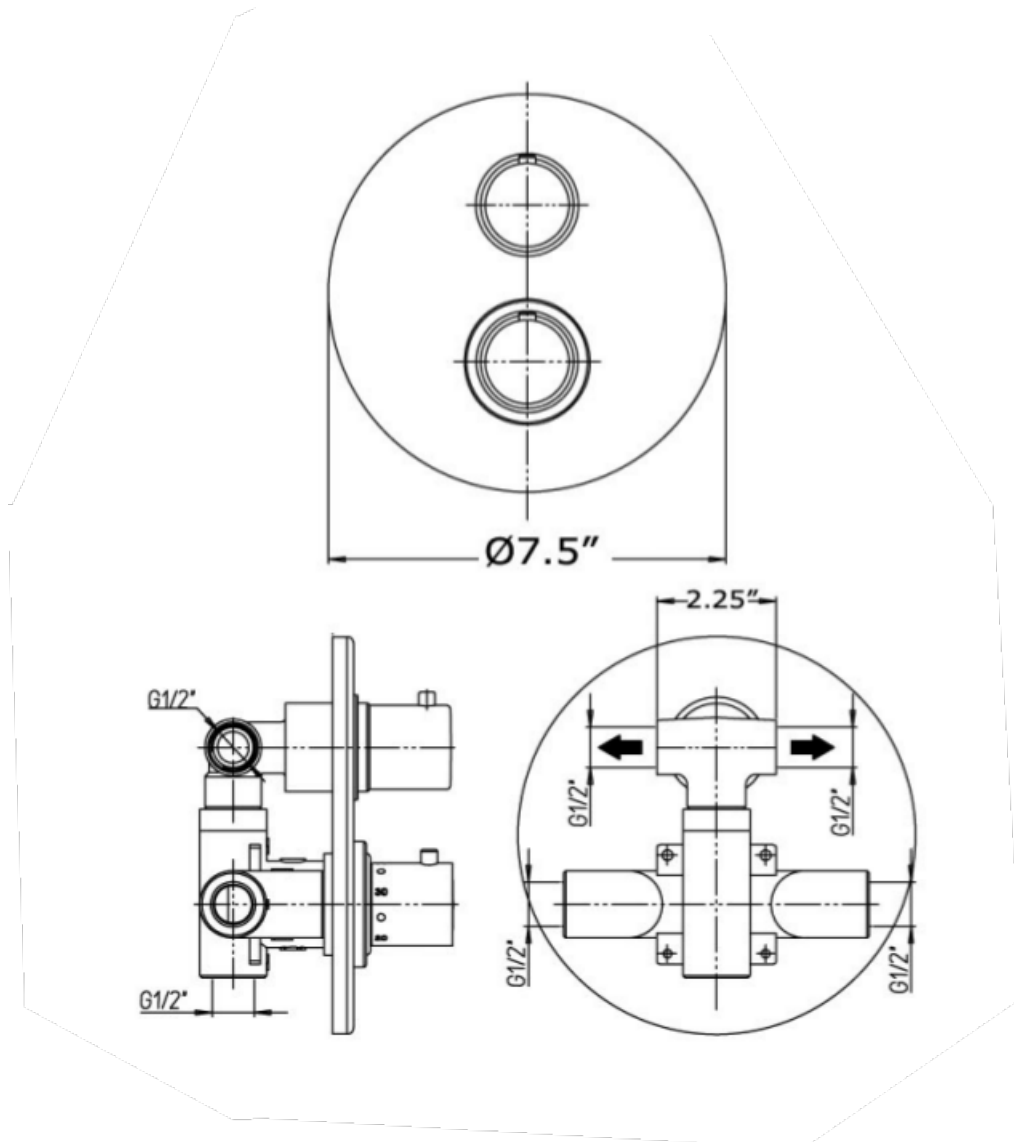


78-691



Elba thermostatic valve with 2-
way diverter volume control
 $\frac{1}{2}''$ inlet connections



Elba Series

78-691

Thermostatic Valve,
Traditional Styling

STANDARDS

- Compliant with ASME A112.18.1-B125.1
- Compliant with AB1953
- Compliant with ANSI NSF61 – Annex G
- Certified by CSA International
- Compliant with ANSI A117.1

Finishes

| | 78CR691 | 78PW691 |
|-----------------|---------|---------|
| Polished Chrome | X | |
| Brushed Nickel | | X |

Features

| | 78CR691 | 78PW691 |
|--|---------|---------|
| Solid Brass Construction | X | X |
| 2-Way Diverter Volume Control | X | X |
| Independent Temperature Control | X | X |
| Extra Bottom Exit To Add Extra Volume | X | X |
| Control Step-By-Step Installation Instructions | X | X |

1-866-668-6690
1571 MAIN RD
NEWFIELD, NJ 08344

www.paini-usa.com