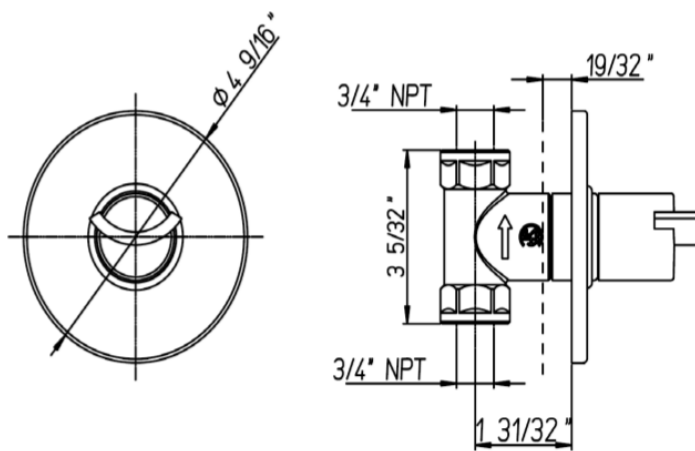
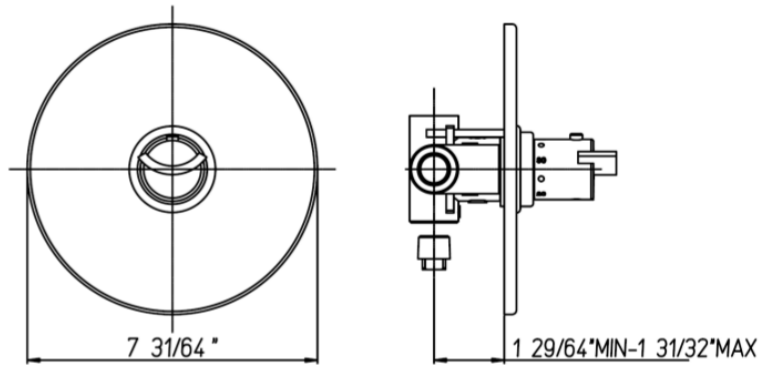




LATOSCANA
by Pirelli

73-711



Morgana $\frac{3}{4}$ " thermostatic valve only
 $\frac{3}{4}$ " inlet connections



Morgana Series

73-711

Thermostatic Valve,
Contemporary Styling

STANDARDS

- Compliant with ASME A112.18.1-B125.1
- Compliant with AB1953
- Compliant with ANSI NSF61 – Annex G
- Certified by CSA International
- Compliant with ANSI A117.1

Finishes

	73CR711	73PW711
Polished Chrome	X	
Brushed Nickel		X

Features

	73CR711	73PW711
Solid Brass Construction	X	X
3/4" Inlet Connections	X	X
Meets NSF 61/9 Annex G Lead Requirements	X	X
ADA Compliant	X	X
Step-By-Step Installation Instructions	X	X
Limited Lifetime Warranty	X	X

1-866-668-6690
1571 MAIN RD
NEWFIELD, NJ 08344

www.paini-usa.com