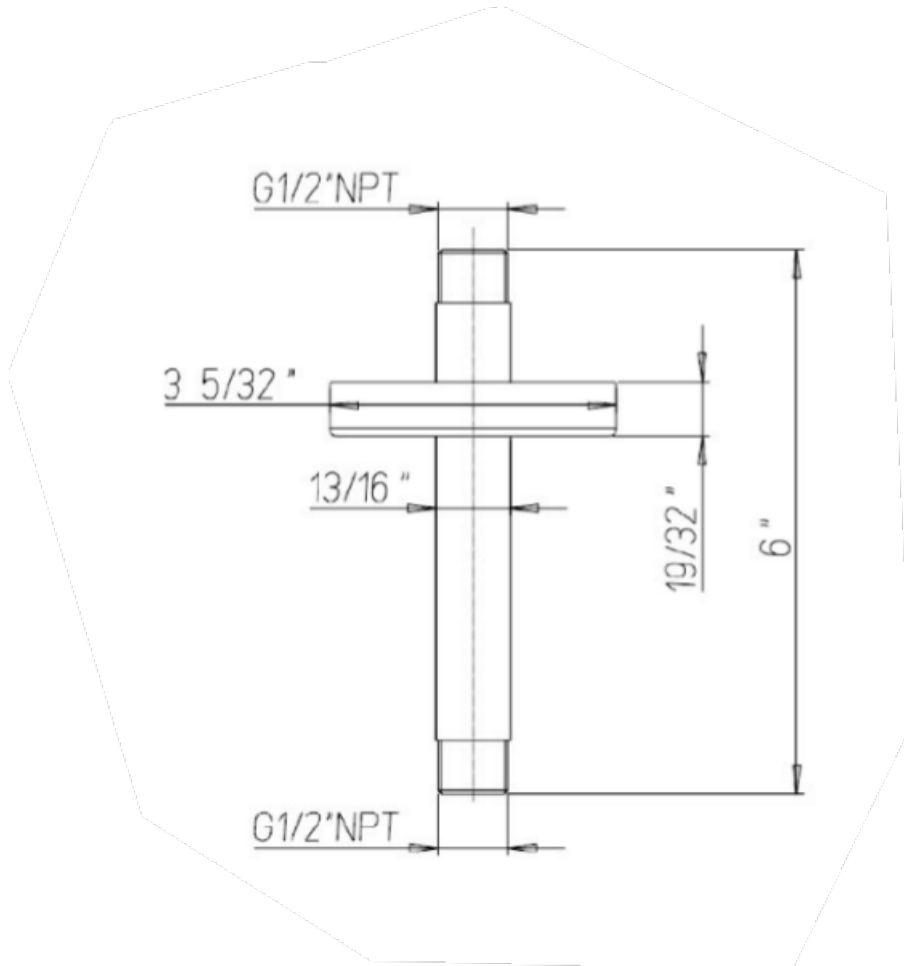


# 50-7446



6" Ceiling Mount Shower Arm



## Bath/Various

50-7446

6" Ceiling Mount Shower Arm

### STANDARDS

- Compliant with ASME A112.18.1-B125.1
- Compliant with AB1953
- Compliant with ANSI NSF61 – Annex G
- Certified by CSA International
- Compliant with ANSI A117.1

#### ***Finishes***

	50CR7446	50PW7446	50OK7446
Polished Chrome	X		
Brushed Nickel		X	
Matt Gold			X

#### ***Features***

	50CR7446	50PW7446	50OK7446
Solid Brass Construction	X	X	X
Meets NSF 61/9 Annex G Lead Requirements	X	X	X
ADA Compliant	X	X	X
Step-By-Step Installation Instructions	X	X	X
Limited Lifetime Warranty	X	X	X

1-866-668-6690  
 1571 MAIN RD  
 NEWFIELD, NJ 08344

[www.paini-usa.com](http://www.paini-usa.com)