

# 12V 3000K LED 6" Hardscape Gray

16101GRY30 (Gray)

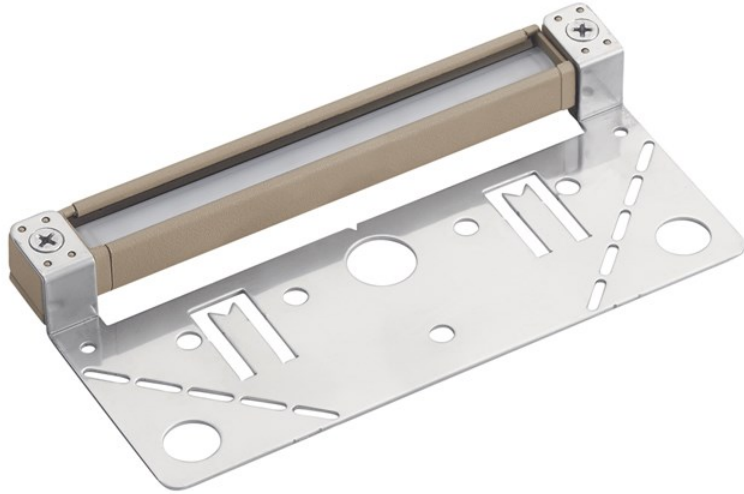
Project Name: \_\_\_\_\_

Location: \_\_\_\_\_

Type: \_\_\_\_\_

Qty: \_\_\_\_\_

Comments: \_\_\_\_\_



## Certifications/Qualifications

[www.kichler.com/warranty](http://www.kichler.com/warranty)

## Dimensions

Base Backplate	INCLUDED
Height	0.75"
Length	6.00"
Width	3.00"

## Electrical

Operating Voltage Range	9-15 VAC
Supply Wire (Degrees)	84
Voltage	12V

## Mounting/Installation

Connector	Yes
Wire Connectors	Wire Nuts

## Photometrics

Color Rendering Index	80
Delivered Efficacy (Lumens/Watt)	48
Delivered Lumens	40
Kelvin Temperature	3000K

## Primary Lamping

Expected Life Span	40000
Volt-Amperes (VA)	1.45






## Product/Ordering Information

SKU	16101GRY30
Finish	Other
UPC	783927533607

## Specifications

Material	ALUMINUM
----------	----------

## Additional Finishes

	Centennial Brass
	Gray
	Sand
	Textured Architectural Bronze
	Textured Black

### Kichler

7711 East Pleasant Valley Road Cleveland, Ohio 44131-8010  
Toll free: 866.558.5706 or [kichler.com](http://kichler.com)

### Notes:

1) Information provided is subject to change without notice. All values are design or typical values when measured under laboratory conditions.

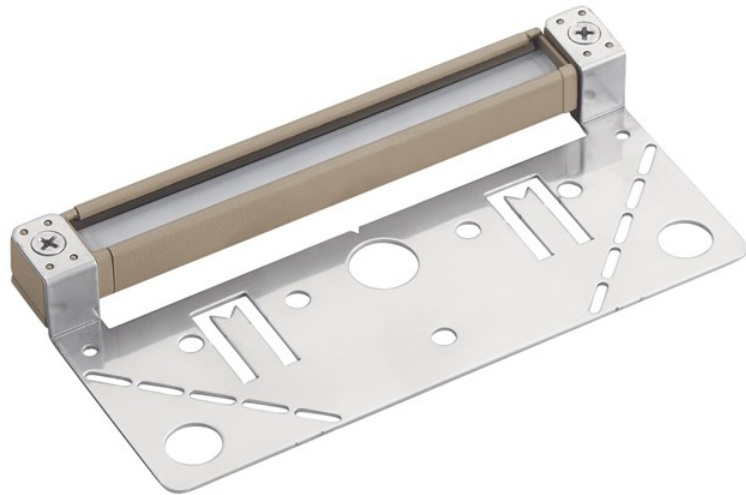
2) Incandescent Equivalent: The incandescent equivalent as presented is an approximate number and is for reference only.

**KICHLER**®

# 12V 2700K LED 6" Hardscape Textured Sand

16101SD27 (Sand)

Project Name: \_\_\_\_\_  
Location: \_\_\_\_\_  
Type: \_\_\_\_\_  
Qty: \_\_\_\_\_  
Comments: \_\_\_\_\_



## Certifications/Qualifications

[www.kichler.com/warranty](http://www.kichler.com/warranty)

## Dimensions

Base Backplate	INCLUDED
Height	0.75"
Length	6.00"
Width	3.00"

## Electrical

Operating Voltage Range	9-15 VAC
Supply Wire (Degrees)	84
Voltage	12V

## Mounting/Installation

Connector	Yes
Wire Connectors	Wire Nuts

## Photometrics

Color Rendering Index	80
Delivered Efficacy (Lumens/Watt)	48
Delivered Lumens	40
Kelvin Temperature	2700K

## Primary Lamping

Expected Life Span	40000
Volt-Amperes (VA)	1.45






## Product/Ordering Information

SKU	16101SD27
Finish	Stone/Natural
UPC	783927533553

## Specifications

Material	ALUMINUM
----------	----------

## Additional Finishes

	Centennial Brass
	Gray
	Sand
	Textured Architectural Bronze
	Textured Black

### Kichler

7711 East Pleasant Valley Road Cleveland, Ohio 44131-8010  
Toll free: 866.558.5706 or [kichler.com](http://kichler.com)

### Notes:

1) Information provided is subject to change without notice. All values are design or typical values when measured under laboratory conditions.

2) Incandescent Equivalent: The incandescent equivalent as presented is an approximate number and is for reference only.

**KICHLER**®