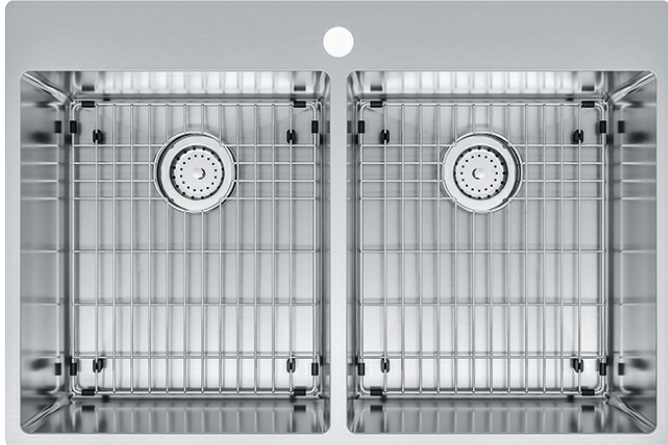
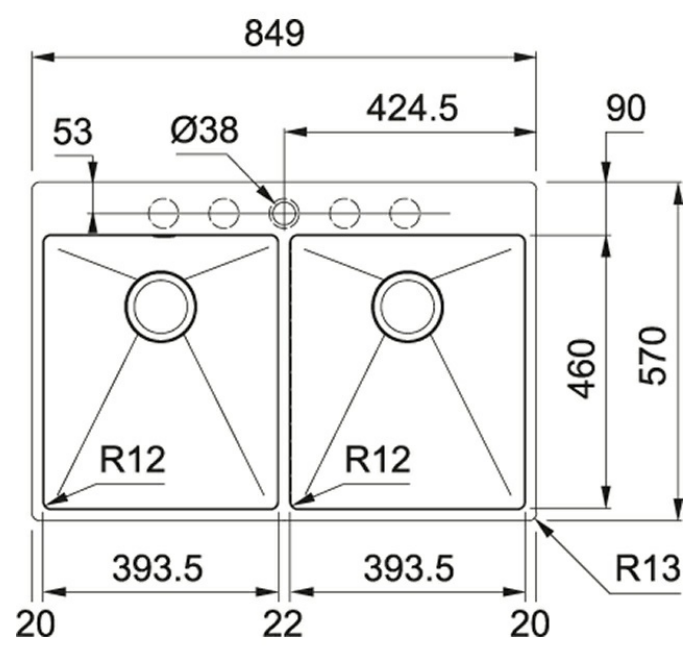


Vector HFDX3322-1 Stainless Steel

Product Picture



Technical Drawing



Product Dimensions

Length overall	30 13/16"
Width overall	17 11/16"
Length of large bowl	14 3/16"
Width of large bowl	17 11/16"
Depth of large bowl	9 1/16"
Minimum Cabinet Size	35 7/16"

General Information

Number of Bowls	2
Faucet Hole	1

Article Numbers

FUN#	127.0572.443
US Part Number	HFXD3322-1

