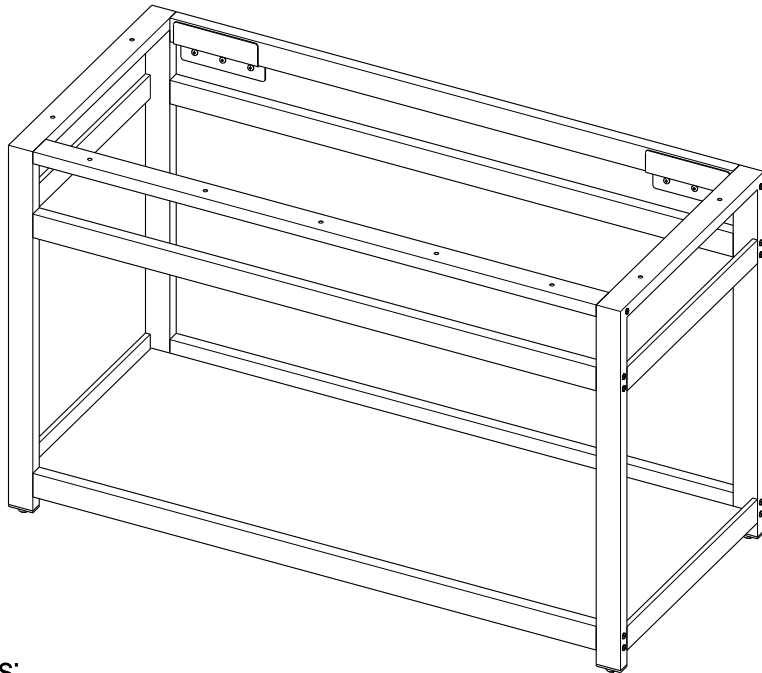


KINGSTON BRASS

THE TRADITION OF FINE BRASS

Iron Bathroom Console Sink Base With Glass Shelf Installation



Parts:

□ Shape		Straight Tube					
A	B	C	D	E	F	G	Mounting Bracket
1 Pc	1 Pc	1 Pc	1 Pc	2 Pcs	2 Pcs	2 Pcs	
		Screw		Bolt		Gasket	
		H	I	J	K	L	M
		4 Pcs	8 Pcs	20 Pcs	12 Pcs	1 Pc	2 Pcs

www.kingstonbrass.com

TOLL-FREE CUSTOMER SERVICE: 1-877-2-KBRASS

TECHNICAL SUPPORT E-mail: service@kingstonbrass.com

12775 Reservoir Street, Chino, CA91710

TOOLS REQUIRED

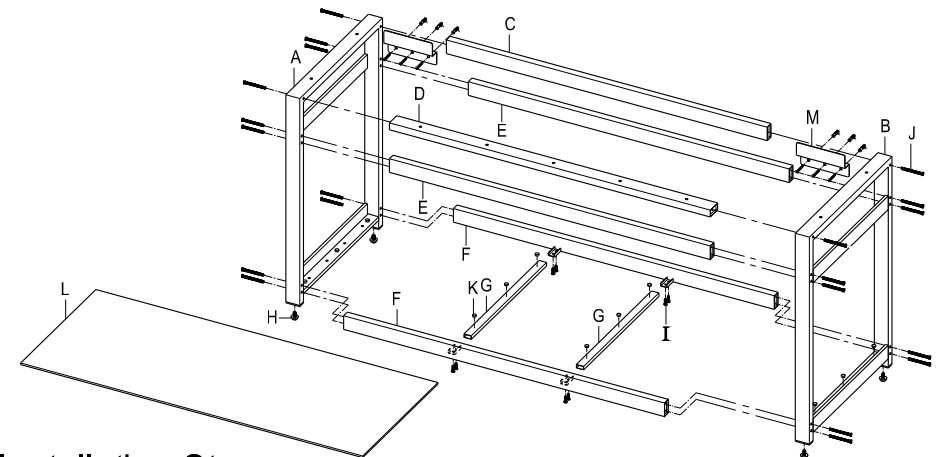
Allen Wrench

Phillips Screwdriver

Marking Pencil

Hammer

Power Drill



Installation Steps:

- Step 1. Thread adjustable leg screws (Part H) to the bottom of Parts A & B.
- Step 2. Locate the two pieces of Part F as well as Part G. Place Part G in the groves and secure with the short screw (Part I). Repeat again for the second Part G.
- Step 3. Locate Part A and Part B, face the sides with railing to each other and secure Part F from Step 2 using the long screws (Part J). Do not secure completely until the end of installation to leave room for the other support bars.
- Step 4. Install Part E to the frame using the long screws (Part J) and do not secure completely.
- Step 5. Install Part D and Part C using the same procedures as above. Once all bars are secure, use the Allen wrench to secure the screws comp
- Step 6. Flip the sink base upright and ensure all screws have been tightened, apply Part K to Part A, B and G, then install the glass panel to the sink base. Exercise caution when installing the gla
- Step 7. Level entire structure by adjusting leg screws (Part H) as necessary.
- Step 8. Once unit has been assembled place at the desired location and after leveling draw a line across the bottom of the top vertical beam (C).
- Step 9. Remove the Console sink base, find the location of the wood studs and using the marked line as a guide to install support brackets at the location of the studs, make sure at least one of the screws is secured to the wood; you will need an anchor to secure from a secondary point in the bracket.
- Step 10. The depth of wall drill hole for installing anchor should be 40mm (1-5/8") Min.
- Step 11. Slide Console sink base into place and attach top sink.

Cleaning

Clean with a damp cloth only.
Avoid using metal or abrasive polishes.