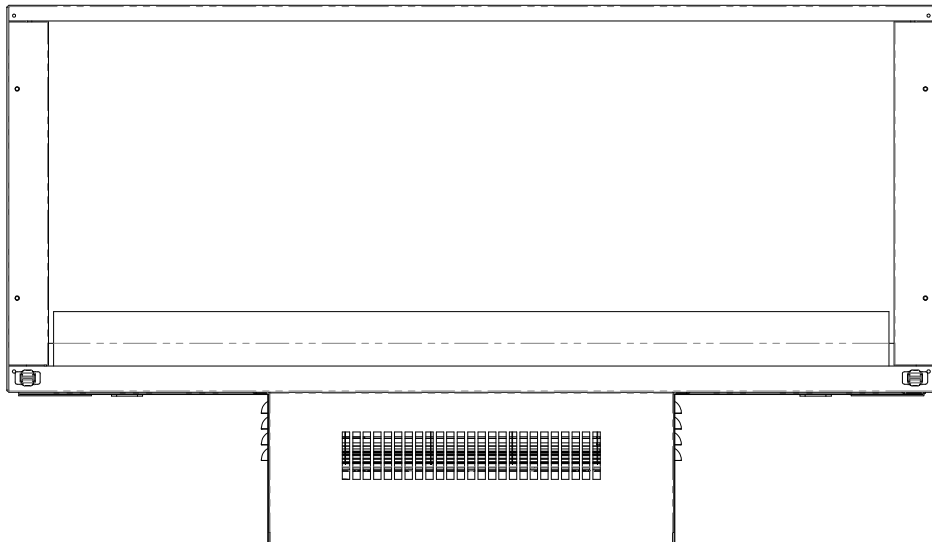


## Wall Mounted Electric Fireplace

# Homeowner's Installation Instructions & Operating Manual



**Model: EF68-72 Series**  
**Used With Listed Front Facia Only: MT68-72**

### FOR YOUR SAFETY

**SERVICE MUST BE PERFORMED BY A QUALIFIED SERVICE AGENCY.**

**DO NOT STORE OR USE GASOLINE OR OTHER FLAMMABLE VAPORS  
AND LIQUIDS IN THE VICINITY OF THIS OR ANY OTHER APPLIANCE.**

**PLEASE READ THIS MANUAL BEFORE INSTALLING AND USING APPLIANCE.**

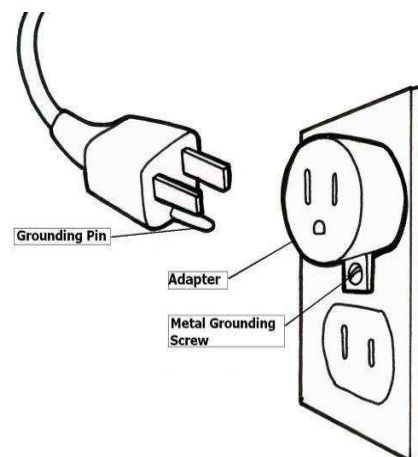
**INSTALLER: DO NOT DISCARD THIS MANUAL -- LEAVE FOR HOME OWNER**

**SAVE THESE INSTRUCTIONS FOR FUTURE REFERENCE.**

# IMPORTANT INSTRUCTIONS

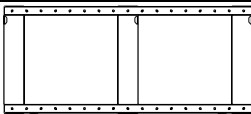
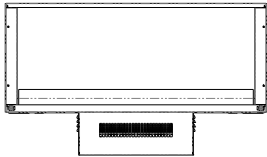
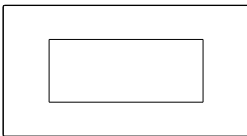


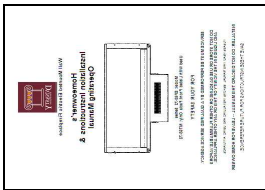




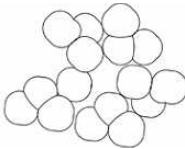
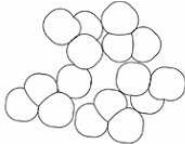
When using electrical appliances, basic precautions should always be followed to reduce the risk of fire, electrical shock, and injury to persons including the following:

1. Read all instructions before using this appliance.
2. This appliance is hot when in use. To avoid burns, do not let bare skin touch hot surfaces. If provided, use handles when moving this appliance. Keep combustible materials, such as furnitures, pillows, bedding, papers, clothes and curtains at least 3 feet (0.9m) from the front of this appliance.  
**WARNING: In order to avoid overheating , do not cover the heater. It can not be used in wardrobe.**
3. CAUTION: Whenever the heater is left operating and unattended, extreme caution is necessary if children or invalids are nearby.
4. The appliance is not be used by children or persons with reduced physical, sensory or mental capabilities, or lack of experience and knowledge, unless they have been given supervision or instruction.
5. Children should be supervised to ensure that they do not play with the appliance.
6. If possible, always unplug this appliance when not in use.
7. Do not operate any heater with a damaged cord or plug or after the appliance malfunctions, or if it has been dropped or damaged in any manner.
8. If the supply cord is damaged, it must be replaced by the manufacturer, its service agent or similarly qualified persons in order to avoid a hazard.
9. Any repairs to this fireplace should be carried out by a qualified service person.
10. Under no circumstances should this fireplace be modified. Parts having to be removed for servicing must be replaced prior to operating this fireplace again.
11. Do not use outdoors.
12. This heater is not intended for use in bathrooms, laundry areas and similar indoor locations. Never locate this appliance where it may fall into a bathtub or other water container.
13. Do not run cord under carpeting. Do not cover cord with throw rugs, runners or the like. Arrange cord away from traffic areas and where it will not be tripped over.
14. To disconnect this appliance, turn controls to the off position, then remove plug from outlet.
15. Connect to properly grounded outlets only.
16. This appliance, when installed, must be electrically grounded in accordance with local codes or, in the absence of local codes, with the current CSA C22.1 Canadian Electrical Code or for U.S.A installations, follow local codes and the National Electrical Code, ANSI/NFPA NO.70.
17. There is a thermostat limiter inside the heater. When the inner temperature over-heats or abnormal heating occurs, the thermostat protective device will cut-off the power supply to avoid damage to the fireplace or risk of fire.
18. The heaters must not be located immediately below a socked-outlet.
19. Do not insert or allow foreign objects to enter any ventilation or exhaust opening as this may cause an electric shock or fire, or damage the appliance.
20. To prevent a possible fire, do not block air intakes or exhaust in any manner. Do not use on soft surfaces, like a bed, where opening may become blocked.
21. This appliance has hot and arcing or sparking parts inside. Do not use it in areas where gasoline, paint or flammable liquids are used or stored. This fireplace should not be used or stored. This fireplace should not be used as a drying rack for clothing. Christmas stockings or decorations should not be hung in the area of it.
22. Use this appliance only as described in the manual. Any other use not recommended by the manufacturer may cause fire, electric shock or injury to persons.
23. Avoid the use of an extension cord because the extension cord may overheat and cause risk of fire. However, if you have to use an extension cord, the cord must be No.14 AWG minimum size and rated not less than 1875 Watts. The extension cord must be a three wire cord with grounding type plug and cord connection. The extension cord shall not be more than 20 feet (6m) in length.
24. See directions in Figure 1.  
This heater is to be used on a 110 / 120 V, 15 AMP, grounded circuit. Do not use in an outlet controlled by a switch or dimmer switch. The cord supplied with the heater, has a 3 blade plug, the round pin on the plug is for grounding purposes. If a 3 slot receptacle is not available, an adapter must be used, and the adapter must be properly grounded to the outlet box. Avoid plugging other appliances into the same circuit as heater.



# INSTALLATION INSTRUCTION

## PACKAGE CONTENTS

Part	Description	Qty	Picture	Remark
1	Wall Mounting Bracket	1		
2	Fireplace Engine	1		
3	Fireplace Front	1		
4	Remote Control	1		
5	Battery	2		
6	Instruction Manual	1		
7	Plastic Wall Plug			6pcs for EF68/69 8pcs for EF70/71 10pcs for EF72
8	Screw ST5×40	4		6pcs for EF68/69 8pcs for EF70/71 10pcs for EF72
9	Bolt M4×8	2		
10	Bolt M5×10	2		
11	White Stones (set)	1		Only used for fireplace with pebbles.
12	Clear Resin Faux Stones (set)	1		Only used for fireplace with pebbles.

## TOOL REQUIRED

Magnetic Phillips Screw Driver  
Rotary Hammer



## UNPACKING THE ELECTRIC FIREPLACE



**WARNING!** Do NOT use this Electric Fireplace if any part has been under water. Immediately call a qualified service technician to inspect and to replace any part of the electrical system if necessary. Keep plastic wrapping away from children.

- Open the packaging carefully and remove the foam.
- Remove and discard the plastic bag.
- Be responsible when handling the packing materials.
- Keep the original packaging for future transport and/or storage.
- Check all accessories are got before you keep the packing.

## LOCATING YOUR ELECTRIC FIREPLACE

Your new electric fireplace may be installed virtually anywhere in your home. However, when choosing a location ensure that the general instructions are followed. For best results, install out of direct sunlight. Power supply service must be either completed or placed within the electric fireplace prior to finishing to avoid reconstruction.

**WARNING !** Keep drapery and other furnishings at least 3ft /0.9m from the front and sides of the electric fireplace.

### Clearance to Combustibles

Sides .....	2 in. ( 50 mm )
Floor .....	13 3/4 in. ( 350 mm )
Top .....	0 in. ( 0 mm )
Back .....	0 in. ( 0 mm )

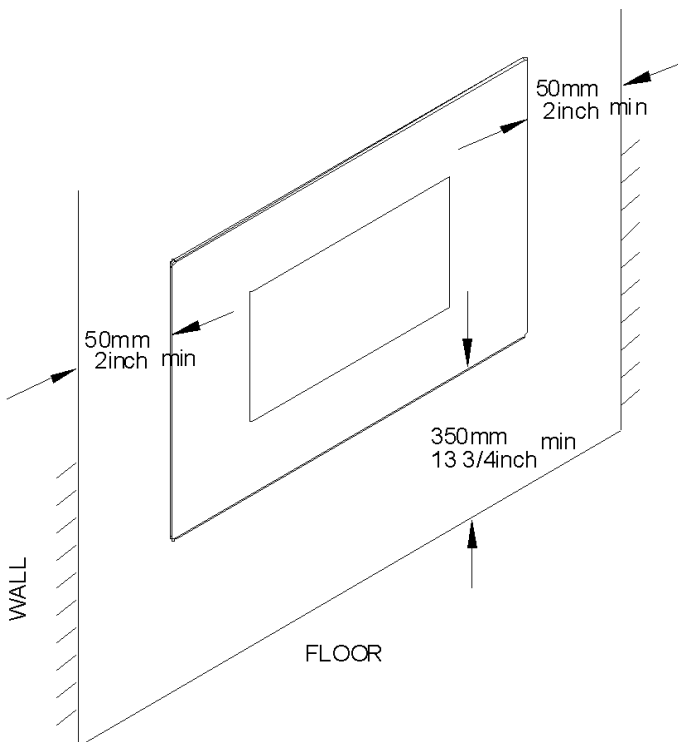


Fig. 1

## INSTALL YOUR FIREPLACE

### Install your fireplace:

- Open the box and take out the wall mounting bracket.
- Choose a solid and plain wall and then put the bracket on the position where you want to install the fireplace. Mark the 6/8/10 holes by a pen from the holes on the bracket. (Fig. 2)
- Drill the marked position using a suitable sized drill bit for the chosen fixings.
- Take away the bracket and then drill 6/8/10pcs  $\Phi 8$  holes on the wall. Put the plastic wall plug into the hole. (Fig. 3) If the wall is solid wood, it is no needed to drill the holes on the wood and no needed of the plastic wall plug.
- Fix the bracket by 4pcs  $5 \times 40$  screws (Fig. 4)
- Hang the fireplace on the hooks at top and push the fireplace into the bracket and then fix it by 2pcs  $M5 \times 10$  screws. (Fig. 5)
- For pebbles version, arrange the white & clear faux stones along the inset window ledge at the front of the firebox.
- Install the fireplace front as picture. (Fig. 6) Fix the fireplace front by 2pcs  $M4 \times 8$  screws
- Connect the cable of backlights on the frame assembly to that on the engine.

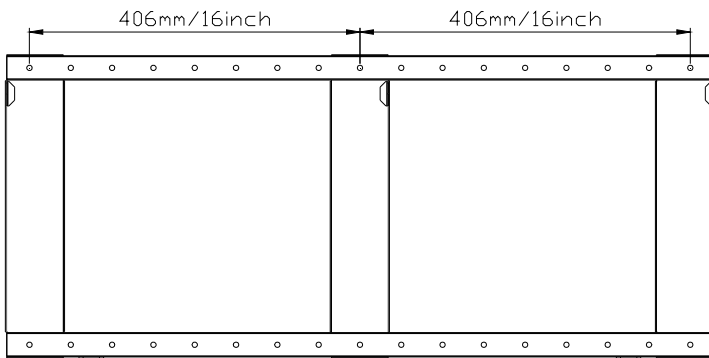


Fig. 2

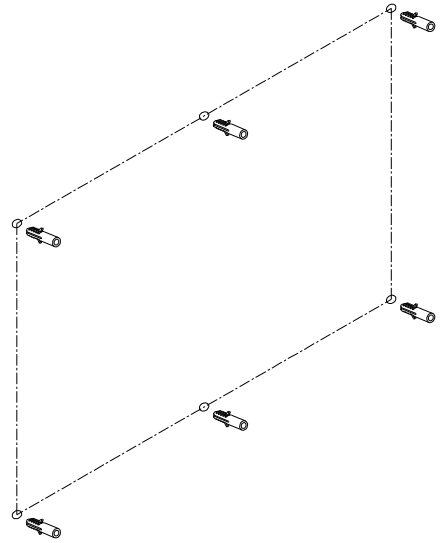


Fig. 3

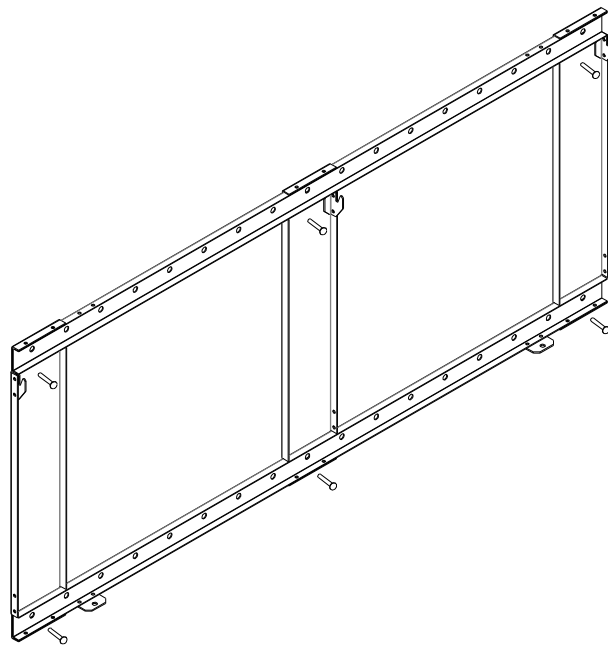


Fig. 4

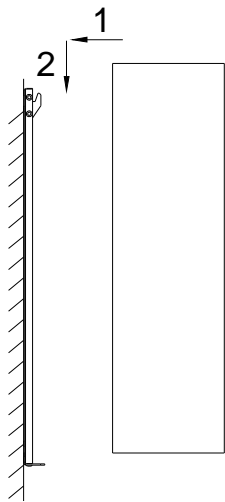


Fig. 5

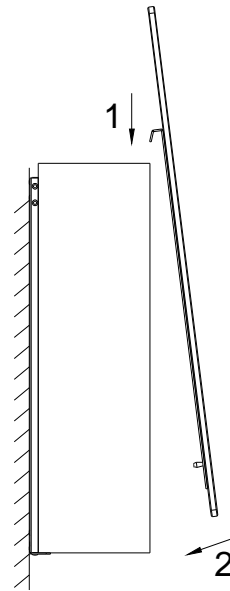


Fig. 6

## ELECTRICAL CONNECTION

A 15 AMP, 120 Volt, 60 Hz circuit with a properly grounded outlet is required. The unit comes standard with 6 feet (1.8 m) three wire cord, exiting from the rear of the fireplace. Plan the installation to avoid the use of an extension cord. Preferably, the fireplace will be on a dedicated circuit as other appliances on the same circuit may cause the circuit breaker to trip or the fuse to blow when the heater is in operation.

## CLEANING TRIM

Clean the metal trim using a soft cloth, slightly dampened with citrus oil based product and buff with a clean soft cloth. DO NOT use brass polish or household cleaners as these products will damage the metal trim. Citrus oil based products can be obtained at supermarkets or hardware stores.

## MAINTENANCE

**WARNING: ALWAYS UNPLUG THE CORD BEFORE MOVING OR SERVICING.**

**DO NOT IMMERSE HEATER IN WATER!**

- Always turn OFF the heater and disconnect the cord from the electrical outlet before cleaning your heater.
- Light accumulated dust may be removed from the heater with a soft cloth or vacuum cleaner.
- Wipe the exterior surfaces of the heater occasionally with a slightly damp cloth (not dripping wet) using a solution of mild detergent and water. Dry the case thoroughly before operating the heater.

**Caution:** Do not allow water to run into the interior of the heater as this could create a fire or electric shock hazard.

- The fan motor is factory lubricated for life and will not require further lubrication.
- Store heater in a clean dry place when not in use.

**Warning:** Any other servicing needed must be performed by an authorized service representative. Do not attempt to service the unit yourself.

# OPERATING INSTRUCTION-CONTROL FUNCTIONS

This appliance can be operated by both remote control and manual button. Once the unit has been properly connected to an earthed electrical outlet, turn on the main power switch located on the left hand side of the appliance. A beep should be heard when the power is first applied.

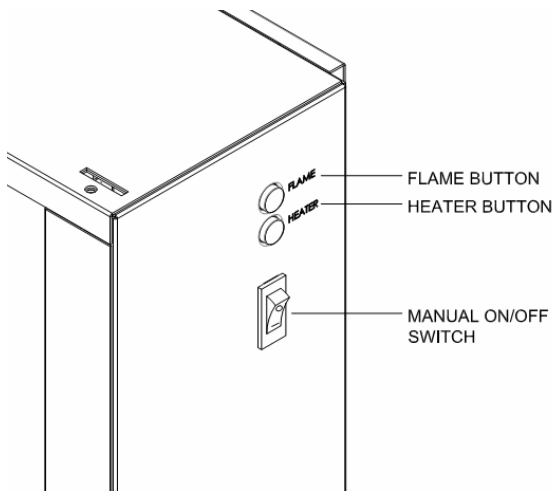


**CAUTION!** The unit's power cord must be connected to a properly grounded and protected 120V outlet. Always use ground fault protection where required by the electrical code.



**WARNING!** Do not operate the unit if it is damaged or has malfunctioned. If you suspect the unit is damaged, please call a qualified service technician to inspect and to replace any part of the electrical system if necessary.

**NOTE!** To use both remote and manual function. As the main power switch must be in "ON" position.



## ● Operating by Manual Button

### MANUAL ON/OFF SWITCH

This switch turns heater on/off, and permit / prohibits use of remote and panel push buttons.

### FLAME BUTTON

The fire has four flame effects, by pressing the flame effect button the unit will cycle through each effect.

### HEATER BUTTON

Press once turns 750W power on. (Pilot lights illuminated ●○)  
 Press again turns 1500W power on (Pilot lights illuminated ●●)  
 Press third time turns heater off. (Pilot lights illuminated ○○)

## ● Operating by Remote Handset

- Make sure the battery are installed properly in the remote control.
- The effective range of the remote control is up to 4 meters or 13 feet.

## Multifunction Infrared Remote Handset

ICON	TITLE	FUNCTION
	POWER	Press once turns appliance on. Press again turns appliance off.
	FLAME	The fire has four flame effects, by pressing the flame effect button the unit will cycle through each effect.
	HEATER	Press once turns 750W power on. (Pilot lights illuminated ●○) Press again turns 1500W power on (Pilot lights illuminated ●●) Press third time turns heater off. (Pilot lights illuminated ○○)
	TEMP	Digital display shows the TEMP setting 23°C (default), with 14 settings circle from "OFF", "16°C" to "28°C". The TEMP will increase by 1°C up to 28°C when pressed each time. By pressing the TEMP for 3S, the digital display can show between °C and °F.
	TIMER	Cycles from OFF, 0.5H, 1H, 2H, 3H, 4H, 5H, 6H, 7H, 8H, to 9H.
	BACK LIGHT	By pressing the backlight button the unit will cycle through 14 effect including OFF setting.

# WARRANTY

In the unlikely event of a problem occurring due to a manufacturing fault within 24 months from the date of purchase of the appliance it will be repaired or replaced free of charge.

This warranty does not cover consumable items such as the bulbs and fuses which have a limited lifespan.

If a problem should occur, the nature of the problem together with the date of a purchase should be immediately reported to the retailer that the appliance was purchased from. Proof of purchase will be required so the original invoice should be retained.