

MODERN FLAMES

ZCR 2



INSTALLATION/OWNERS MANUAL FOR USE IN UNITED STATES AND CANADA

SERIAL NUMBER: _____

MODERN FLAMES

ZCR 2 SAFETY INFORMATION AND OPERATIONS MANUAL



Read these instructions completely before beginning installation. Failure to follow them could cause a heater malfunction resulting in serious injury and/or property damage.

WARNING: All electric heaters have hot and arcing or sparking parts inside. Do not use it in areas where gasoline, paint or flammable liquids are or are stored.

This fireplace meets the construction and safety standards of H.U.D. for application in manufactured homes when installed according to these instructions.

**INSTALLER: Leave this manual with the appliance.
CONSUMER: Retain this manual for future reference.**

USER INSTRUCTIONS

TABLE OF CONTENTS

Important Instructions.....	3	Operation	8
Power Data	4	Service Parts.....	9
Product Guide	4	Cleaning and Maintenance Instructions	10
Box Contents.....	5	Troubleshooting	11
Locating Fireplace.....	5	Frequently Asked Questions	12
Unpacking and Testing.....	5	Wiring Diagram	13
Installation	6		

IMPORTANT INSTRUCTIONS

When using electrical heaters, basic precautions should always be followed to reduce the risk of fire, electric shock and injury to persons, including the following:

WARNING: Improper installation, adjustment, alteration, service or maintenance can cause injury or property damage. Refer to this manual. For assistance or additional information, consult a qualified installer.

CAUTION: Do not expose the heater to the elements (such as rain, etc).

Do not place clothing or other flammable material on or near firebox. Never place any objects on the fireplace.

Carefully supervise young children when they are in the room with fireplace.

Fireplace becomes very hot when running. Keep children and adults away from hot surfaces to avoid burns or clothing ignition. Fireplace will remain hot for a time after shutdown. Allow surfaces to cool before touching.



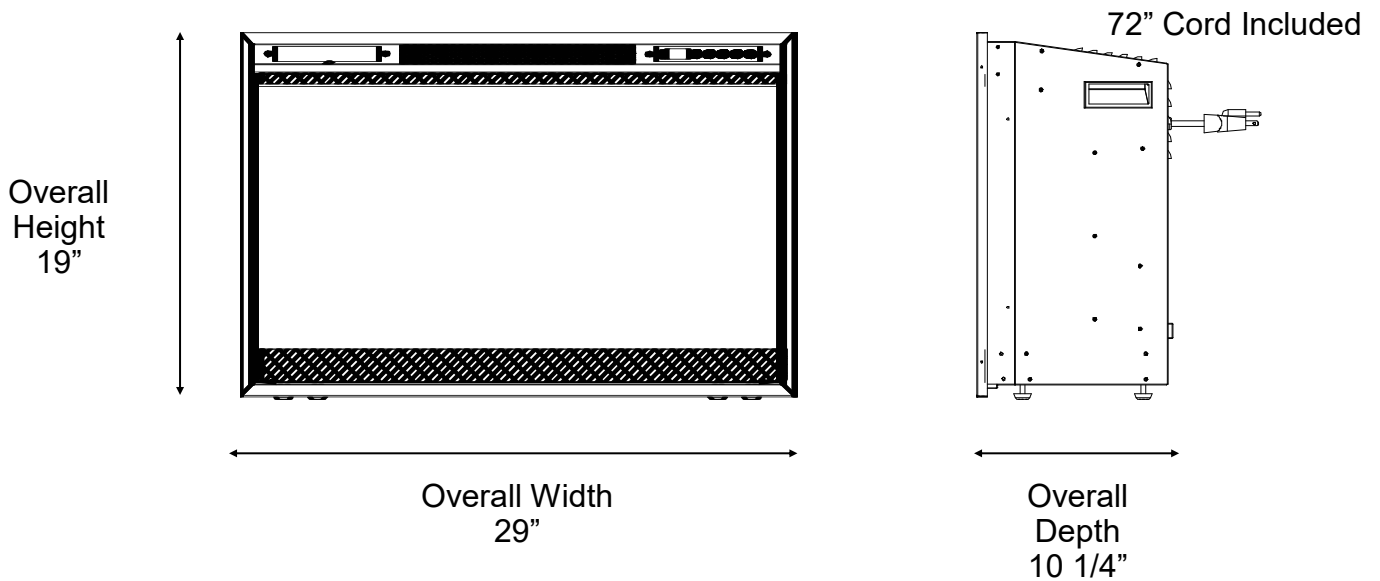
CAUTION: In order to avoid overheating, do not cover the heater.

1. Read all instructions before installing or using this heater.
2. This heater is hot when in use. To avoid burns, do not let bare skin touch hot surfaces. Keep combustible materials, such as furniture, pillows, bedding, papers, clothes, and curtains at least 3 feet (0.9m) from the front of the heater and keep them away from the sides and rear.
3. Extreme caution is necessary when any heater is used by or near children or disabled people and whenever the heater is left operating and unattended.
4. Do not operate any heater after it malfunctions, has been dropped, or damaged in any manner. Disconnect power at service panel and have heater inspected by an authorized technician or a reputable electrician before using.
5. Do not use outdoors.
6. To disconnect heater, turn controls to off and turn off power to heater circuit at main disconnect panel.
7. Do not insert or allow foreign objects to enter any ventilation or exhaust opening as this may cause an electric shock or fire, or damage the heater.
8. To prevent a possible fire, do not block air intakes or exhaust in any manner.
9. A heater has hot and arcing or sparking parts inside. Do not use it in areas where gasoline, paint or flammable vapors or liquids are used or stored.
10. Use this heater only as described in this manual. Any other use not recommended by the manufacturer may cause fire, electric shock or injury to persons.
11. This heater is not intended for use in bathrooms, laundry areas and similar indoor locations. Never locate heater where it may fall into a bathtub or other water container.
12. SAVE THESE INSTRUCTIONS

POWER DATA

	ZCR 2
Volts/HZ Amps	AC 120V/60Hz 15 Amps
Heater	AC 120V/60Hz 700W/1400W
Lamps	LED 12V
Rotor motor	AC 120V/60Hz 4W CCW 15/18 r/min

PRODUCT GUIDE

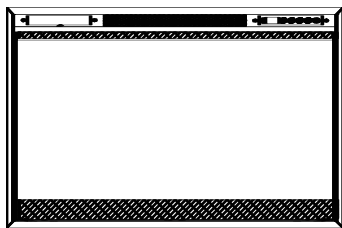


Model	Viewing Area	Firebox Dimensions	Framing Dimensions
ZCR 2	27 1/2" W x 13 3/4" H	27 3/4" W x 18" H x 9 1/2" D	28 1/4" W x 18 1/4" H x 10" D

Optional Trim	Overall Dimensions	with Optional Bottom Trim
1 1/2" Trim	32" W x 22" H x 10 1/4" D	N/A
4 1/2" Trim	38" W x 24" H x 10 1/4" D	38" W x 28 1/2" H x 10 1/4" D
7" Trim	43" W x 26" H x 10 1/4" D	43" W x 33" H x 10 1/4" D

INSTALLATION

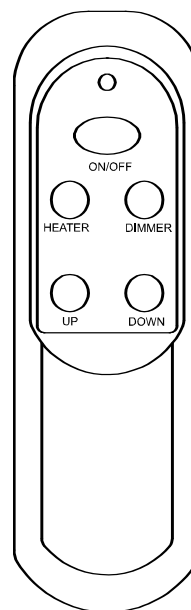
BOX CONTENTS



1 Fire Unit



Mix of Glacier
Crystal—Clear &
Smoke



1 Remote

LOCATING FIREPLACE

CAUTION: Do not locate in a moist room such as a bathroom or laundry room.

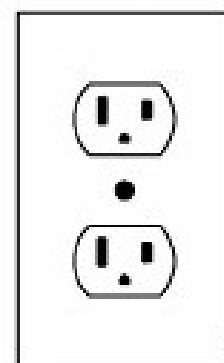
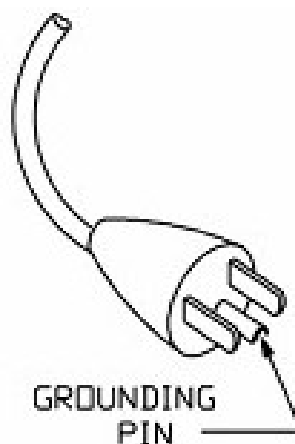
CAUTION: Wear gloves and safety glasses for protection during installation and maintenance.

UNPACKING AND TESTING

This heater is for use on 120 volts. The cord has a plug as shown at A. An adapter as shown at C is available for connecting three-blade grounding-type plugs to two-slot receptacles. The green grounding lug extending from the adapter must be connected to a permanent ground such as a properly grounded outlet box. The adapter should not be used if a three-slot grounded receptacle is available.

WARNING: Do not operate the unit if it is damaged or has malfunctioned. If you suspect the unit is damaged, return the unit to an authorized service facility for examination, electrical or mechanical adjustment or repair.

CAUTION: The unit's power supply cord must be connected to a properly grounded and protected 120-volt outlet. Always use ground fault protection where required by the electrical code. Never use an extension cord with this product.



(A)

ADAPTER



(C)

INSTALLATION

WARNING: If the information in these instructions is not followed exactly, a fire or explosion may result causing property damage, personal injury or death.

WARNING - RISK OF FIRE!

To prevent a possible fire, do not block air intake or exhaust in any manner. Do not use on soft surfaces where openings may become blocked.

WARNING - RISK OF FIRE!

Do not blow or place insulation against the firebox.

To reduce the risk of fire do not store or use gasoline or other flammable vapors in the vicinity of this or any other heater.

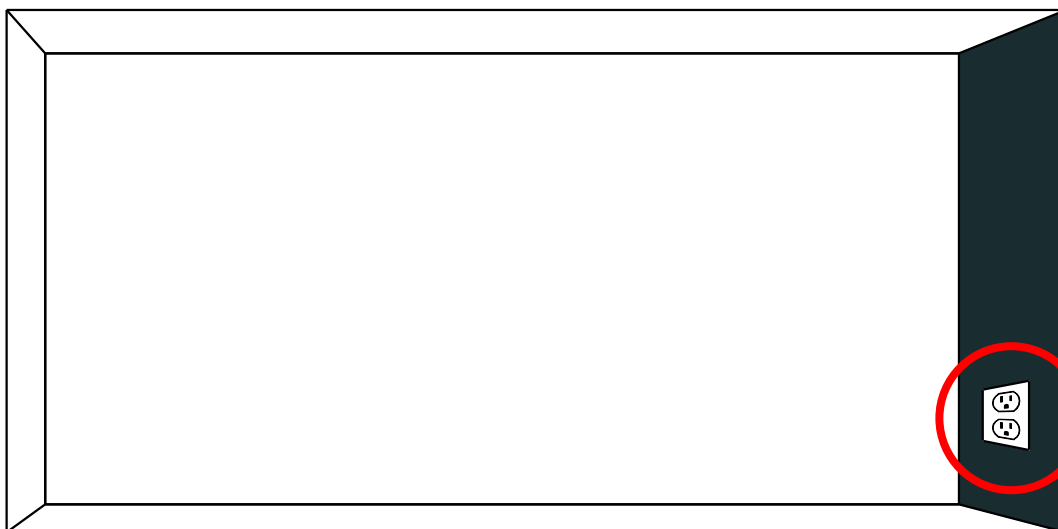
CAUTION: Keep combustible materials, such as furniture, pillows, bedding, papers, clothes and curtains at least 3 feet (0.9m) from the front of the heater and keep them away from the sides and rear.

Installing fireplace

Select a suitable location that is not susceptible to moisture and is a safe distance from drapes, furniture and high traffic areas. A qualified electrician should add an electrical outlet per local building codes. See shaded area on installation diagram below for proper outlet placement.

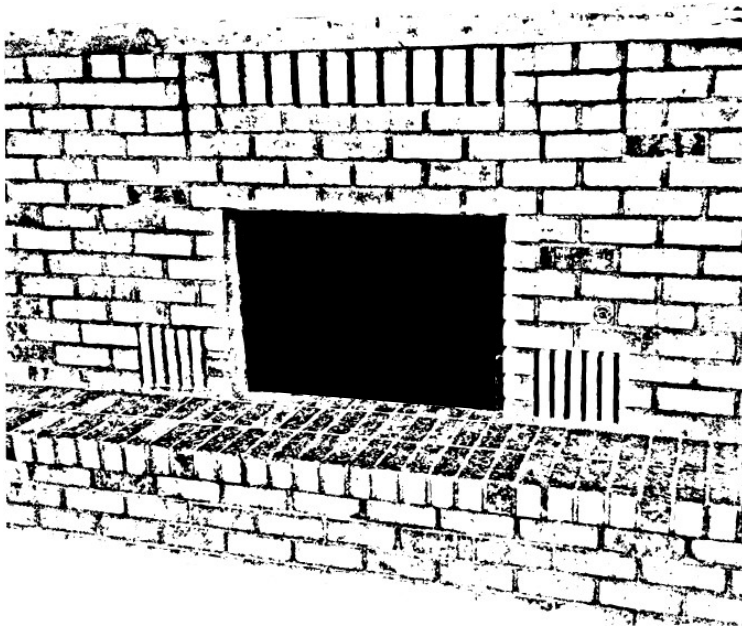
Note: Follow all national and local electrical codes. This fireplace can be framed in to the wall.

This fire is designed to fit into existing fireplaces as an insert to replace a wood or gas burning fire. This fire can also be used in cabinets or recessed wall openings using the framing dimensions from page 4.



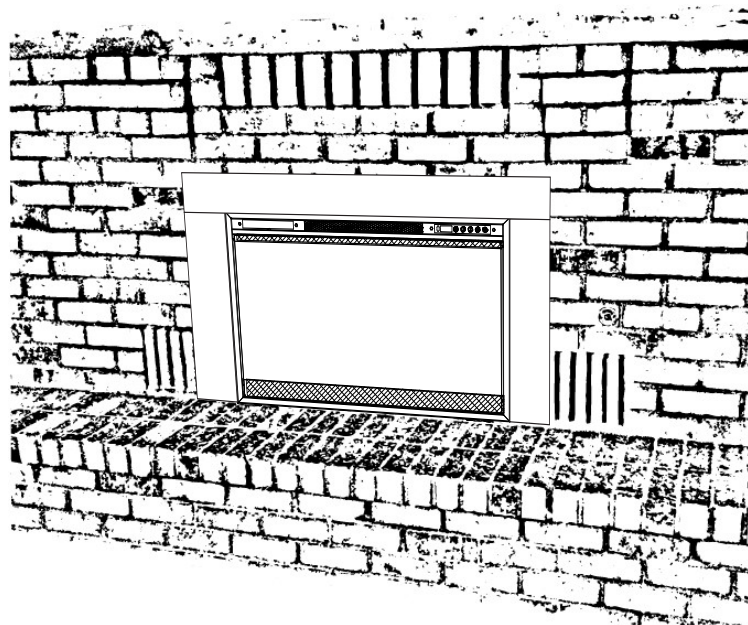
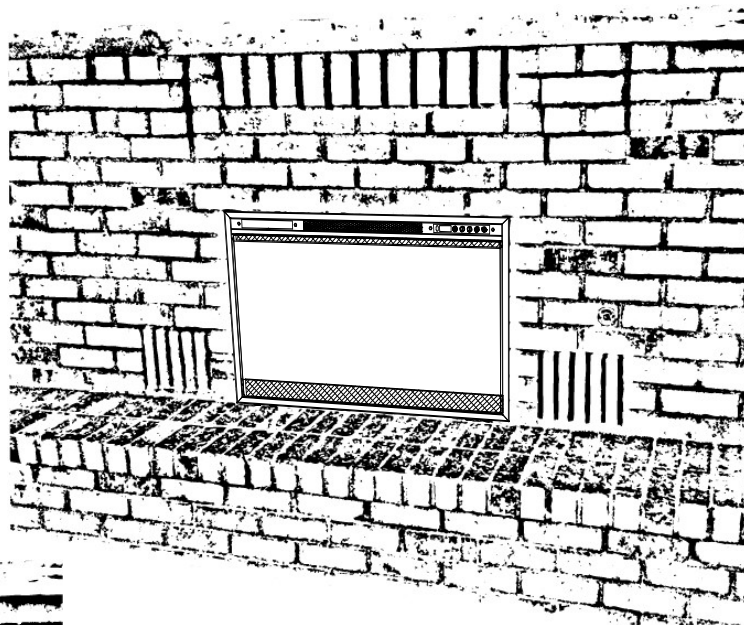
Electrician should add a 120v outlet to the rear portion of the right side of the framed opening (see the shaded panel.)

INSTALLATION



1. Make sure the fireplace is clean and free of debris. Install the fire feature according to the instructions included with that feature (the fire features include log set or contemporary glass burner.) Plug in the fire unit.

2. Simply slide the fire unit in to your existing fireplace.
3. Use the adjustable feet to adjust for the ash bed in some fireplaces. The adjustable feet can raise the fire approximately 1 inch.



4. If desired, use the optional trim to trim your new fire place.
5. To install the optional trim, remove the 4 screws on the right and left side that hold on the glass face. Index the elongated screw holes on the metal trim over the screw holes for the glass face. Replace the screws.

OPERATION

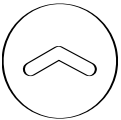
The unit has no main power switch. **(Caution: If servicing this unit, turn off power at the main circuit breaker or unplug the unit.)**



Press the On/Off button once to turn the unit on. Press the On/Off button a second time to turn the unit off.



Press the Heater button to turn the heater to low. Press the Heater button a second time to turn the heater to high. Pressing the Heater button a third time turns the heater off.



To set the digital thermostat, touch the temperature down arrow to lower the temperature set point. Press the temperature up arrow to raise the temperature set point. The set point will be indicated on the digital display.



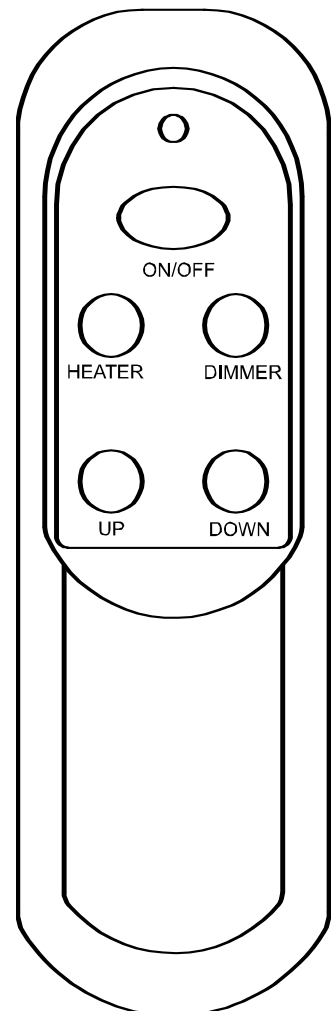
Press the Dimmer button to dim the fire image. Pressing the Dimmer button multiple times will cycle through the available brightness settings. The current setting will be indicated on the digital display.

Press the On/Off button once to turn the unit on. Press the On/Off button a second time to turn the unit off.

Press the Heater button to turn the heater to low. Press the heater button a second time to turn the heater to high. Pressing the Heater button a third time turns the heater off.

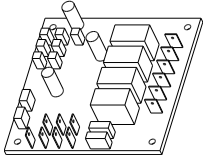
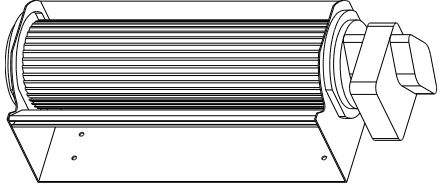
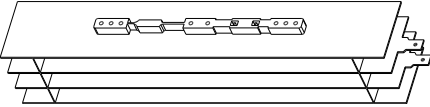
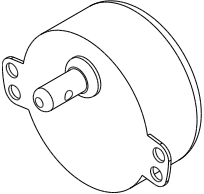


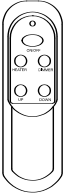
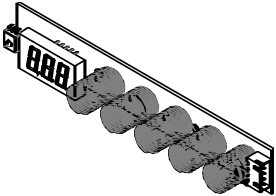
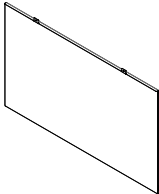
To set the digital thermostat, touch the Down button to lower the temperature set point. Press the Up button to raise the temperature set point. The set point will be indicated on the digital display.


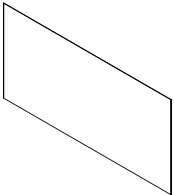
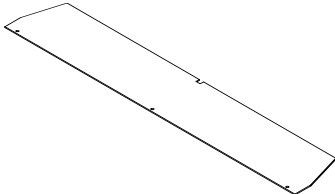
Press the Dimmer button to dim the fire image. Pressing the Dimmer button multiple times will cycle through the available brightness settings. The current setting will be indicated on the digital display.



MAINTENANCE

ZCR 2 SERVICE PARTS

ITEM	PHOTO	COMMENTS
ZCR2-PCB		ZCR2 PCB
ZCR2-BLOWER		HEATER FAN 120 V 1500 WATTS
ZCR2-HEATER		HEATER 120 V 1400 WATTS
ZCR2-MOTOR		SPINDLE MOTOR 120 V 50-60 HZ
ZCR2-LED-F		ZCR2 FLAME LED
ZCR2-LED-M		ZCR2 MEDIA LED
ZCR2-RC		ZCR2 REMOTE CONTROL
ZCR2-TC		ZCR2 TOUCH CONTROL ASSEMBLY
ZCR2-GF		ZCR2 GLASS FACE

ZCR 2 SERVICE PARTS		
ITEM	PHOTO	COMMENTS
ZCR2-GC		GLACIER CRYSTALS FOR STANDARD MEDIA
ZCR2-TS		ZCR2 THERMOSTAT SENSOR
ZCR2-FPP		ZCR2 FLAME POLYPROPYLENE SCREEN
ZCR2-MPP		ZCR2 MEDIA POLYPROPYLENE SCREEN
ZCR2-LOG-WH		ZCR2 LOG WIRE HARNESS

CLEANING AND MAINTENANCE INSTRUCTIONS

There is very little maintenance involved with your electric fireplace. Please follow the few points below:

- On a semi-annual basis unplug the machine from it's power source and wait for the heating element to cool, remove the glass face of the fireplace and dust the fire unit with a dry cloth. Be careful not to brush any wires that may be exposed as you do this.
- To clean the glass face of the fireplace simply use your desired glass cleaner with paper towels.
- To clean the air inlets/outlets, wipe with a soft cloth or the nozzle of a vacuum cleaner
- Dust can easily build up around the heater. Vacuum or brush away any loose dust. Take particular care to clean this area on a regular basis to prevent buildup.

TROUBLESHOOTING

PROBLEM	POSSIBLE CAUSE	CORRECTIVE ACTION
Nothing comes on (touch screen, etc.)	A. Breaker tripped or circuit has no power	A. Reset breaker, test circuit for power
	B. Internal component is frozen and needs to be reset	B. Turn power off at the main breaker for 20 seconds. Turn power back on.
	C. Defective component	C. Replace motherboard, transformer or LCD touch control
Touch Screen Comes on - then nothing	A. Touch Screen is defective	A. Replace touch control
	C. Not operating touch control properly with finger	C. Press flat part of finger firmly on the touch screen and apply moderate pressure
	D. Loose connection on motherboard	D. Check functions with remote control. if functional, check connections on motherboard
	E. Motherboard is defective	E. Replace Motherboard
Fireplace turns off and will not turn back on	A. Fireplace has overheated and safety disc has snapped or circuit breaker has tripped	A. Turn the main breaker to the "off" position for 30 seconds. Next flip the breaker back into the "on" position.
Can operate fireplace functions with touch controls but not remote control	A. Low Batteries	A. Replace batteries in remote control with 2 AAA batteries
	B. Not aiming control correctly	B. Aim remote control to the upper right of the viewing area where sensor is located
	C. Remote control defective	C. Replace remote control
	D. Remote Sensor is defective	D. Replace remote sensor inside fireplace
Heater does not provide heat when on	A. Wiring is loose	A. Disconnect unit from power source and inspect for loose connections
	B. Thermal snap disc has been tripped	B. Turn the main breaker to the "off" position for 30 seconds. Next flip the breaker back into the "on" position.
	C. Heater core is defective	C. Replace Heater Core

PROBLEM	POSSIBLE CAUSE	CORRECTIVE ACTION
Flame is not visible when unit is turned on	A. Wiring is loose	A. Disconnect unit from power source and inspect for loose connections
	B. Lights are defective	B. Replace lights
	C. Motherboard is defective	C. Replace motherboard
Fireplace lights up but there is no flame image	A. Wiring for motor is loose	A. Disconnect unit from power source and inspect for loose connections from motor
	B. Motor is defective	B. Replace motor
Fireplace is squeaking when flame image is on	A. Fireplace spindle/ rod is contacting to metal	A. Apply lithium grease or any standard grease to contacts with rod and metal
	B. Motor is defective	B. Replace motor

FREQUENTLY ASKED QUESTIONS

Q. How do you program the remote control?

A. The remote comes pre-programmed. No programming is necessary.

Q. What distance can the remote be used from the fireplace?

A. Optimal distance for the remote control is within 20 feet.

Q. Can you turn on the fireplace via the touch screen and off via the remote (or vice versa)?

A. Yes.

Q. Can the fireplace be installed outside?

A. No. Please review the entire safety chapter before installing this fireplace.

Q. Does the fireplace need to be on a dedicated 15 amp circuit?

A. Yes.

Q. What thickness of sheetrock should be used for the recessed installation?

A. 1/2" or 5/8".

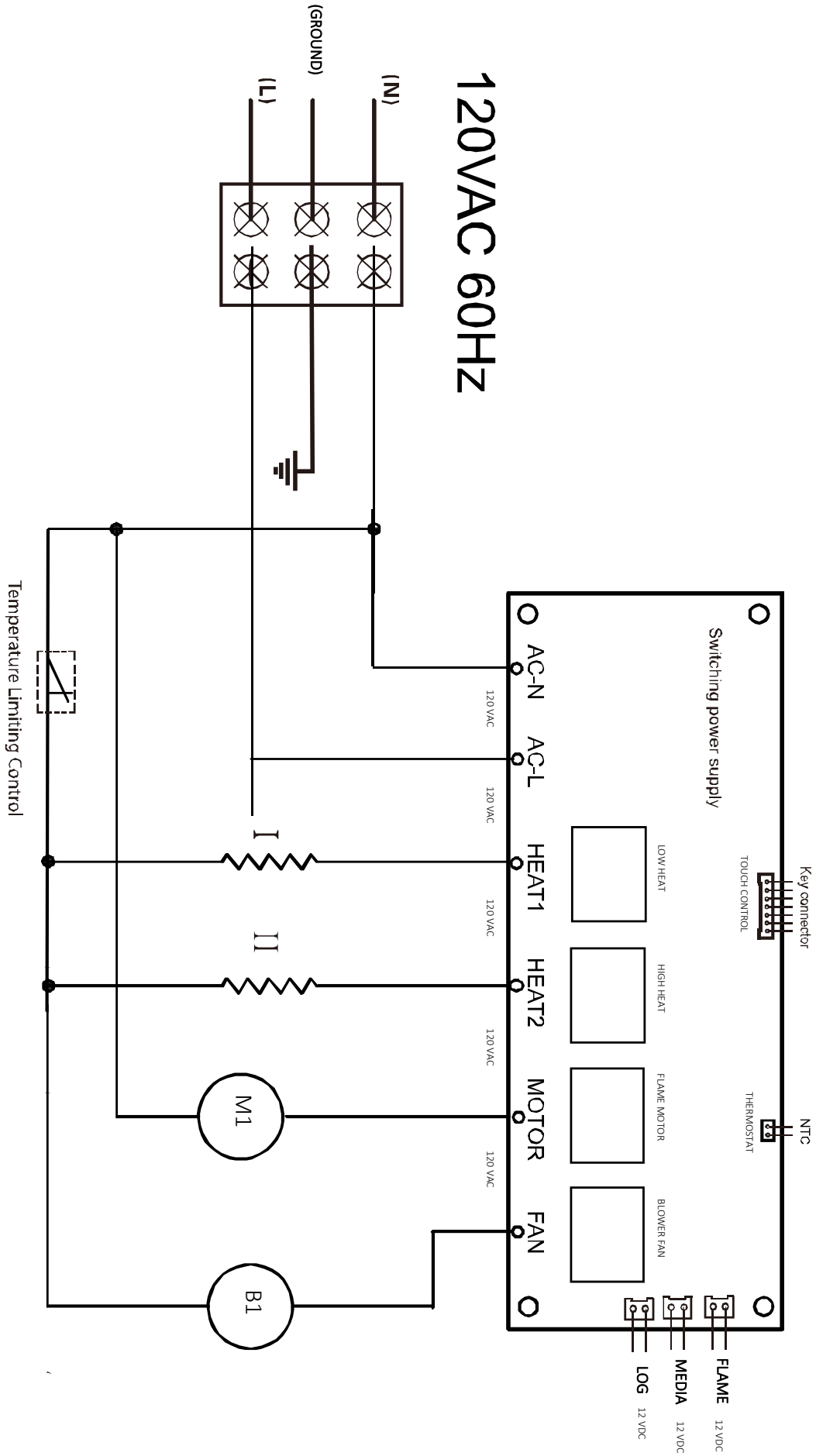
Q. How often do the batteries in the remote need to be replaced?

A. Annually, possibly more with heavy use.

Q. Is there a remote receiver in the fireplace that requires batteries?

A. No, only the actual remote requires batteries. The rest of the fireplace runs entirely off of the main power supply.

WIRING DIAGRAM



© 2019

MODERN  FLAMES

www.modernflames.com
Please dispose of properly.



Ver. 4