

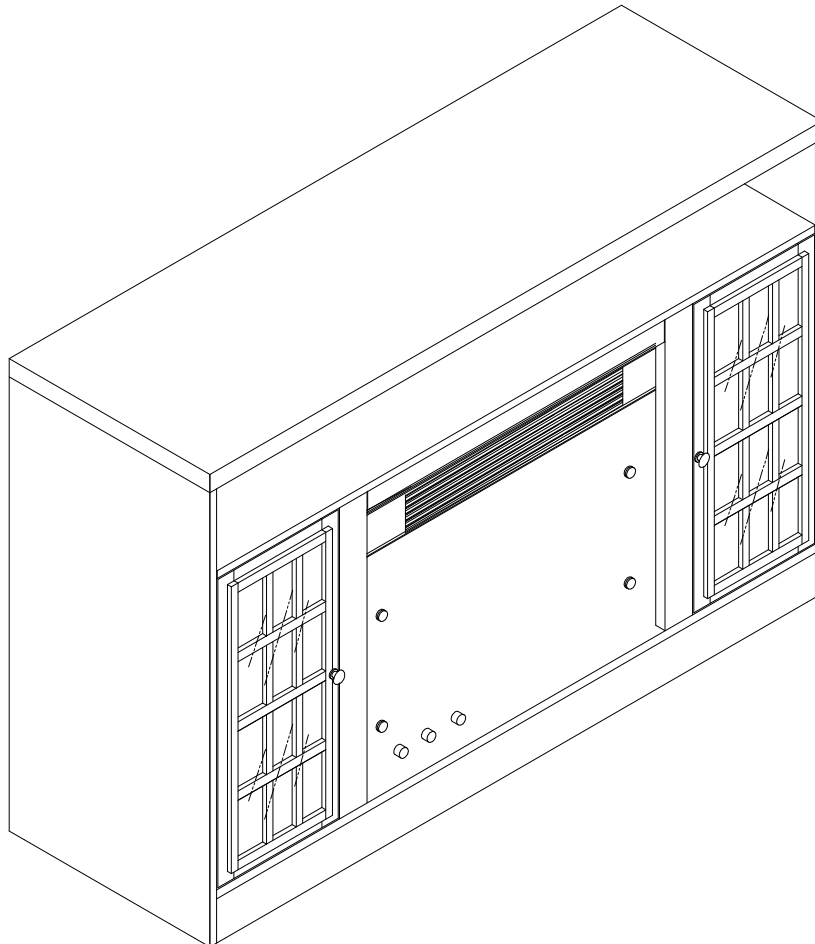
"NARITA" MEDIA CONSOLE FIREPLACE
FA930100TX-ESPRESSO
FA930200TX-GLAZED PINE
FA930300TX--MAHOGANY
Assembly Instructions



Southern
ENTERPRISES

For assistance with assembly contact:
Southern Enterprises Inc.
Customer Service 1-800-633-5096
service@seidal.com
www.seidal.com

PO#12830



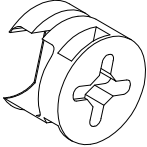
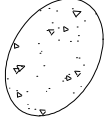
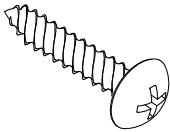
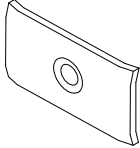
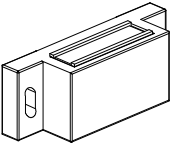
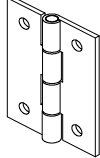
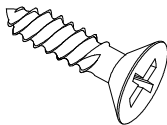
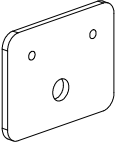
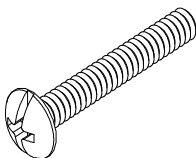
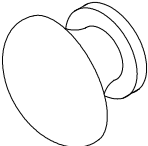
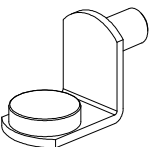
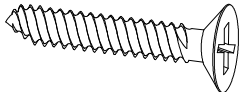
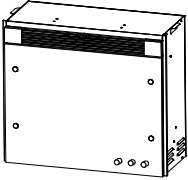


"NARITA" MEDIA CONSOLE FIREPLACE Parts List

Please review all parts and hardware before disposing of any packaging.
Call Customer Service if missing hardware.

Using a screw that is too long will cause damage.

Before beginning assembly, separate each type of screw. Carefully study the screw diagrams below. You may receive extra hardware with your unit.

<p>A</p>  <p>CAM BOLT</p>	<p>Quantity of 28</p> <p>B</p>  <p>WOOD DOWEL</p> <p>Quantity of 26</p>
<p>C</p>  <p>CAM LOCK</p>	<p>Quantity of 28</p> <p>D</p>  <p>COVER</p> <p>Quantity of 28</p>
<p>E</p>  <p>ROUND HEAD SCREW</p>	<p>Quantity of 42</p> <p>F</p>  <p>SLICE OF IRON</p> <p>Quantity of 4</p>
<p>G</p>  <p>MAGNET LOCK</p>	<p>Quantity Of 2</p> <p>H</p>  <p>HINGE</p> <p>Quantity Of 4</p>
<p>I</p>  <p>SHORT FLAT HEAD SCREW</p>	<p>Quantity of 18</p> <p>J</p>  <p>MAGNET PLATE</p> <p>Quantity Of 2</p>
<p>K</p>  <p>LONG BOLT</p>	<p>Quantity of 2</p> <p>L</p>  <p>KNOB</p> <p>Quantity Of 2</p>
<p>M</p>  <p>SHELF HOLDER</p>	<p>Quantity of 8</p> <p>N</p>  <p>LONG FLAT HEAD SCREW</p> <p>Quantity of 4</p>
<p>O</p>  <p>FIREBOX SOLD IN A SEPARATE CARTON</p>	

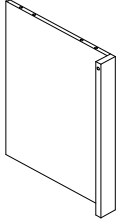
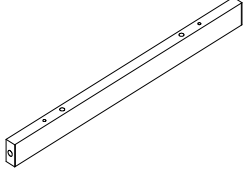
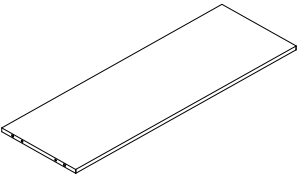
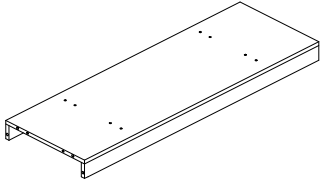
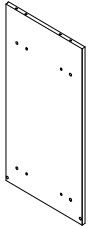
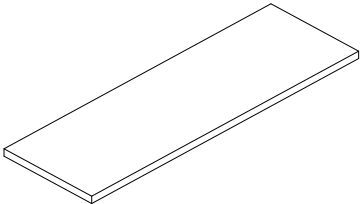
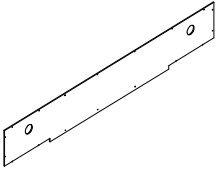

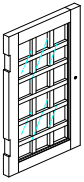
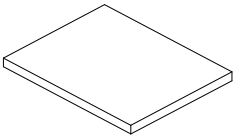
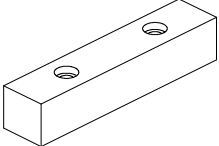
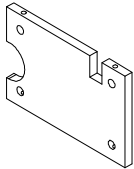
"NARITA" MEDIA CONSOLE FIREPLACE

Parts List

Please review all parts and hardware before disposing of any packaging.
Call Customer Service if missing hardware.

Using a screw that is too long will cause damage.

Before beginning assembly, separate each type of screw. Carefully study the screw diagrams below. You may receive extra hardware with your unit.

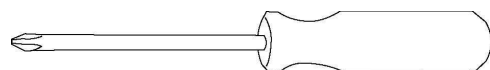
<p>(1)</p>  <p>Quantity of 2</p> <p>VERTICAL PANEL (R&L)</p>	<p>(2)</p>  <p>Quantity of 1</p> <p>MIDDLE FRONT PANEL</p>
<p>(3)</p>  <p>Quantity of 1</p> <p>MIDDLE FIXED PANEL</p>	<p>(4)</p>  <p>Quantity of 1</p> <p>BOTTOM FRAME</p>
<p>(5)</p>  <p>Quantity of 2</p> <p>SIDE PANEL (R&L)</p>	<p>(6)</p>  <p>Quantity of 1</p> <p>TOP PANEL</p>
<p>(7)</p>  <p>Quantity of 1</p> <p>MIDDLE BACK PANEL</p>	<p>(8)</p>  <p>Quantity of 2</p> <p>SIDE BACK PANEL</p>
<p>(9)</p>  <p>Quantity of 2</p> <p>DOOR(R&L)</p>	<p>(10)</p>  <p>Quantity of 2</p> <p>SHELF PANEL</p>
<p>(11)</p>  <p>Quantity of 1</p> <p>WOOD HOLDER</p>	<p>(12)</p>  <p>Quantity of 1</p> <p>CENTER SUPPORT</p>

Care and Cleaning Instructions:

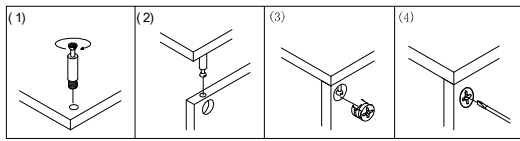
Before using, wipe with a clean, dry cloth. Periodically apply furniture wax to renew the finish. Avoid rubbing or scratching the surface with rough or abrasive objects.

For replacement parts or questions, please Call Customer Service at 1-800-633-5096 Please call manufacturer for assistance, questions or Parts.

Assembly Tool Required
No.2 Phillips Screwdriver (Not Included)



"NARITA" MEDIA CONSOLE FIREPLACE Assembly Instructions



"Please do not over tighten cam bolts. Please stop when you feel tight"

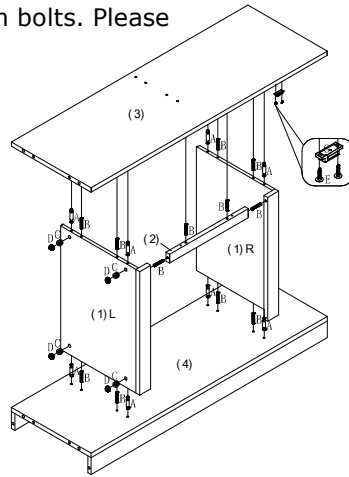


Figure 1

USE 4PCS ROUND HEAD SCREW TO SECURE MAGNET LOCK (G) ON MIDDLE FIXED PANEL(3) AS SHOWN.
 INSERT 8PCS CAM-BOLTS (A) AND 12PCS WOOD DOWELS (B) INTO PREDRILLED HOLES ON INSIDES OF MIDDLE FIXED PANEL (3), BOTTOM FRAME (4)AND MIDDLE FRONT PANEL(2), AND FIT INTO CORRESPONDING HOLES ON ENDS OF VERTICAL PANEL (R&L(1). INSERT 8PCS CAM-LOCKS (A) INTO BIG HOLES ON INSIDE OF VERTICAL PANEL (R&L(1), WITH SLOT FOR SCREWDRIVER FACING OUTWARD. ROTATE CAM-LOCKS (C) CLOCKWISE TO SECURE CAM-BOLTS (A). PUSH COVERS (D) INTO CAM-LOCKS (C). AS FIGURE 1 SHOWN.

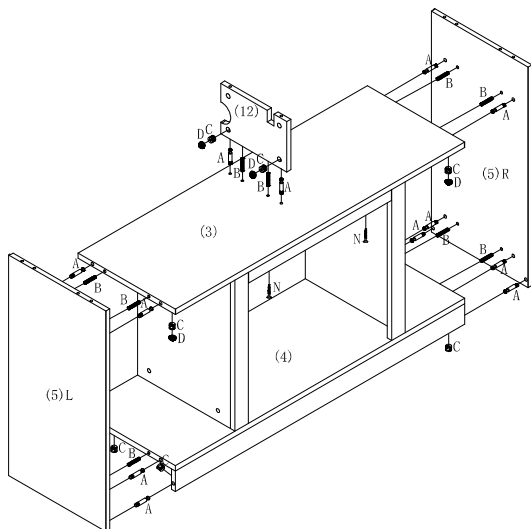
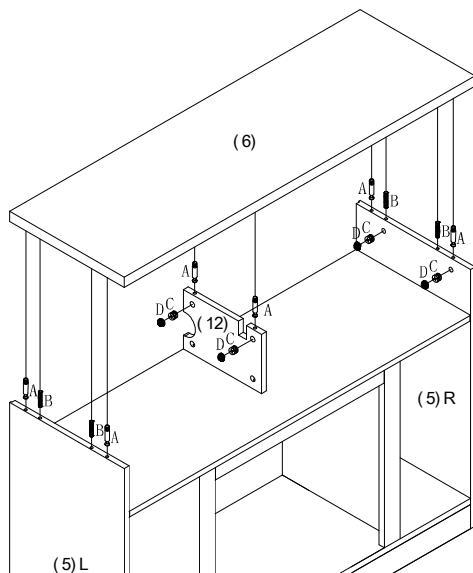


Figure 2

INSERT 12PCS CAM-BOLTS(A) AND 8PCS WOOD DOWELS(B) INTO PREDRILLED HOLES ON INSIDE OF SIDE PANEL (R&L) (5),AND FIT INTO CORRESPONDING HOLES ON ENDS OF ASSEMBLED UNIT,THEN INSERT 12PCS CAM-LOCK(C) INTO BIG HOLES ON INSIDE OF ASSEMBLED UNIT WITH SLOT FOR SCREWDRIVER FACING OUTWARD. ROTATE CAM-LOCKS (C) CLOCKWISE TO SECURE CAM-BOLTS (A). PUSH COVERS (D) INTO CAM-LOCKS (C).THEN USE LONG FLAT HEAD SCREW (N) TIGHTEN MIDDLE FRONT PANEL (2) AS FIGURE 2 SHOWN.

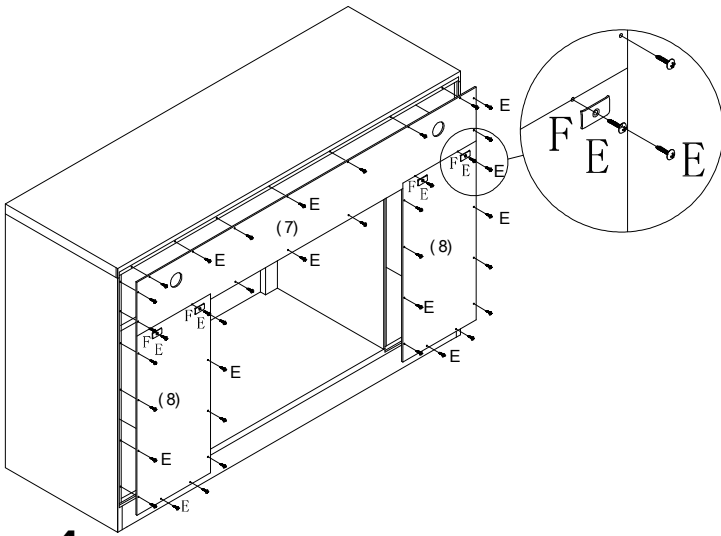


PUT THE TOP PANEL(6) ON THE UNIT, INSERT 4PCS CAM-BOLTS(A) AND 4PCS WOOD DOWEL(B) INTO PREDRILLED HOLES OF SIDE TOP PANEL(6),AND FIT INTO CORRESPONDING HOLES ON INSIDE OF SIDE PANEL(R&L)(5),THEN INSERT 4PCS CAM-LOCK(C) INTO BIG HOLES ON INSIDE OF SIDE PANEL(R&L)(5) WITH SLOT FOR SCREWDRIVER FACING OUTWARD ROTATE CAM-LOCKS(C) CLOCKWISE TO SECURE CAM-LOCKS,AS FIGURE 3 SHOWN.USE THE CENTER SUPPORT(12) BEFORE PLACING ANY ITEM WEIGHING OVER 50LBS ON THE TOP.JUST

Figure 3

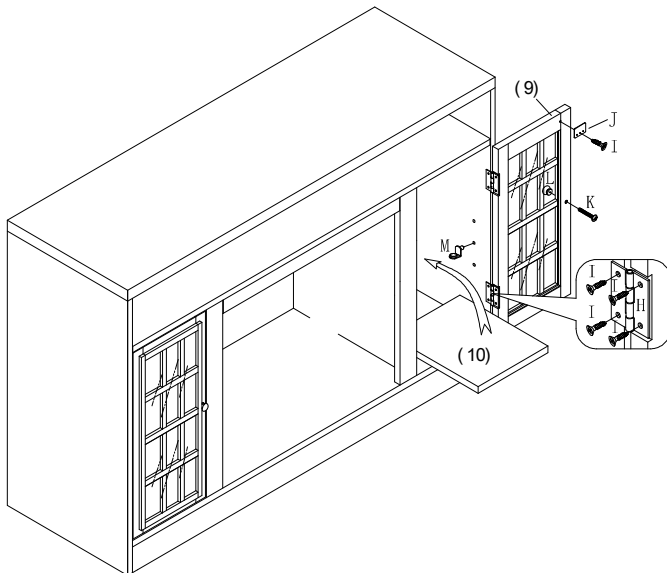
INSERT CENTER SUPPORT(12) TO THE POSITION AS SHOWN IN FIGURE 3 ,ADJUST THE RUBBER FOOT AT THE BOTTOM OF SUPPORT TILL TIGHTING.

"NARITA" MEDIA CONSOLE FIREPLACE Assembly Instructions



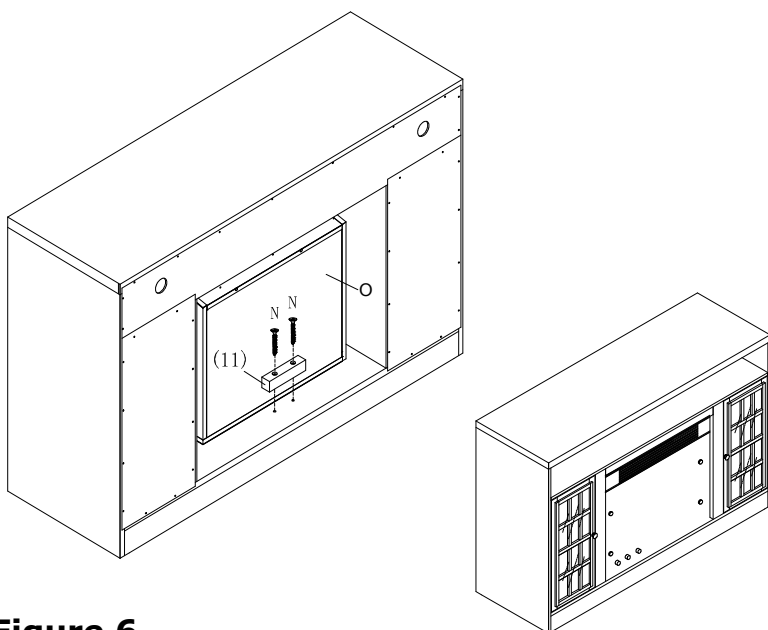
USE 38PCS ROUND HEAD SCREW (E) AND 4PCS SLICE OF IRON(F) TO ASSEMBLE MIDDLE BACK PANEL(7) AND SIDED BACK PANEL(8) TO THE UNIT,AS AS FIGURE 4 SHOWN.

Figure 4



ATTACH MAGNET PLATE (J) ON THE DOOR(R&L) BY USING 2PCS SHORT FLAT HEAD SCREW.
ATTACH KNOB (L) ON THE DOOR(R&L) BY USING 2PCS LONG BOLTS (K).
USE 4PCS HINGE (H) AND 16PCS SHORT FLAT HEAD SCREW (I) TO ASSEMBLED DOOR(R&L).
INSERT 8PCS SHELF HOLDER (M) INTO CORRESPONDING HOLES OF MIDDLE FIXED PANEL(3) ,THEN PUT THE SHELF PANEL ON IT ,AS FIGURE 5 SHOWN.

Figure 5



INSERT THE FIREBOX FROM THE BACK OF FIREPLACE. MAKE SURE FIREBOX IS PRESSED TIGHTLY AGAINST THE ASSEMBLED UNIT. ATTACH FIXED WOOD (E) ON THE INSIDES OF FIREBOX. INSERT 2PCS FLAT HEAD LONG SCREWS (N) THROUGH PREDRILLED HOLES ON FIXED WOOD (11) AND TIGHTEN INTO CORRESPONDING HOLES ON BACK OF FIREBOX. AS FIGURE 7 SHOWN.

Figure 6

Parts Replacement Form

Customer Information

Name _____

Address _____

City/State/Zip Code _____

Phone Number _____

Please indicate where you purchased this item: Store/Website/Catalog

Please indicate color/size/style number:

Style No	Parts Letter	Parts Description	Quantity Needed
_____	_____	_____	_____
_____	_____	_____	_____
_____	_____	_____	_____

Please immediately examine this product carefully. Any request for missing parts or damage replacement must be received within 90 days of your receipt of the product. Replacement, if available, will be honored within this time frame. Parts will not be available for items arriving fully assembled. We do not recommend modifying product(s) and we are not responsible for any damages due to product modification(s). If damages or missing parts are not reported within 90 days of your receipt, we are under no obligation to provide parts or replacement merchandise.

Please contact Southern Enterprises at 800-633-5096 or in Dallas 972-869-0111/ 9am – 4pm Mon-Fri Central time if you have product issues or email us at service@seidal.com. Please ask for customer service representative for issues involving damages or replacement parts. Please ask for technical assistance representative for any issues with product and assembly/construction.

Please contact the retailer that you purchased from for returns.



Southern
ENTERPRISES

Customer Service 1-800-633-5096

service@seidal.com

Southern Enterprises, Inc.

600 Freeport Parkway, Suite 200

Coppell, Texas 75019



CAUTION

The top shelf of this cabinet is intended for plasma/LCD televisions having an overall TV width of 46" and Max weight limit is 85 lb.

The top shelf is NOT INTENDED for tube televisions.

Each center shelf should not be loaded with more than 20 lb. Each side shelf should not be loaded with more than 15 lb.

DO NOT EXCEED RECOMMENDED LOAD. Use with products heavier than the maximum sizes and weights indicated may result in instability causing possible injury.

This unit contains a permanent warning sticker located on under side of top shelf or inside drawer.

Do not allow children under 16 years to move the cart.

Model: FA930100TX
"NARITA" MEDIA CONSOLE FIREPLACE
Southern Enterprises, Inc
600 Freeport Parkway, Suite 200
Coppell, Texas, 75019
Manufacture Date: