

# "Antebellum" Media Fireplace Mantle

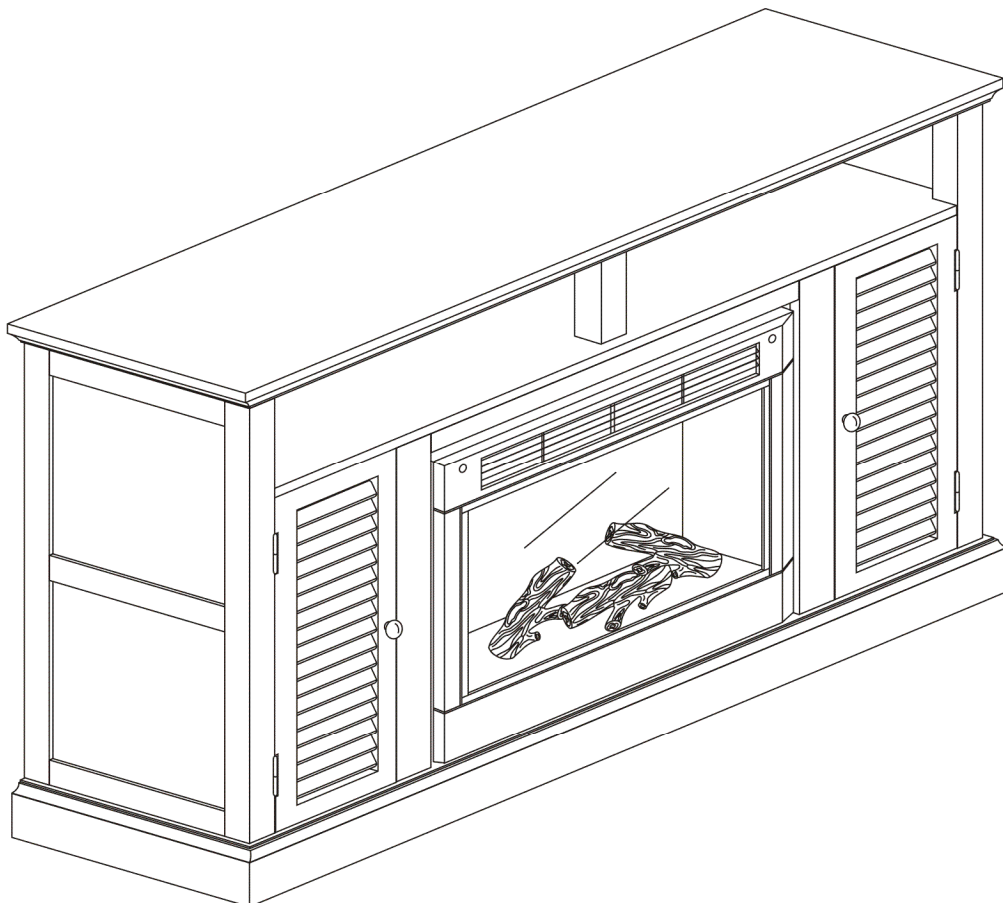
FA930500TX- Black-Walnut 2 Finishing  
FA930600TX- Antique White Finishing  
FA930800TX- Natural Oak Finishing

Assembly Instructions



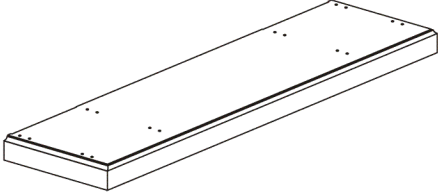
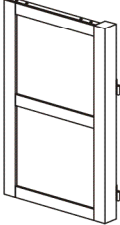
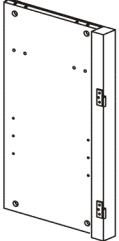
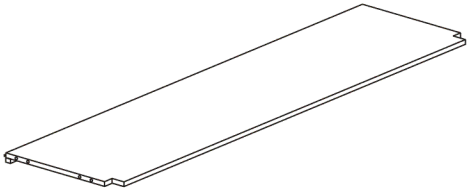
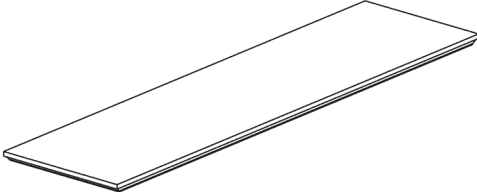
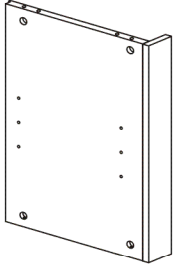
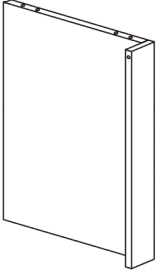
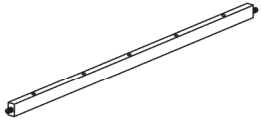
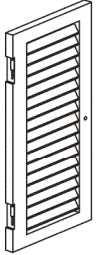
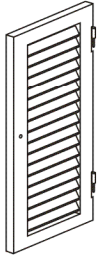
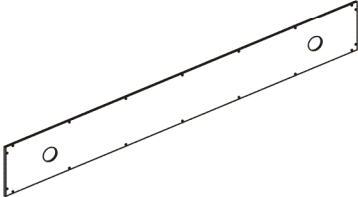

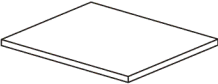
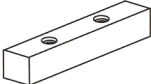
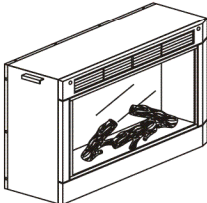

For assistance with assembly contact:  
Southern Enterprises Inc.  
Customer Service 1-800-633-5096  
[service@seidal.com](mailto:service@seidal.com)  
[www.seidal.com](http://www.seidal.com)

PO:





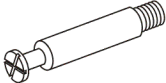
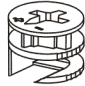
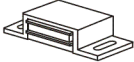




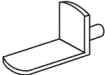
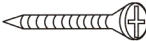
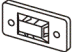


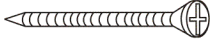

# "Antebellum" Media Fireplace Mantle Parts List

Please review all parts and hardware before disposing of any packaging.  
 Call Customer Service if missing hardware. Do not return to store/retailer.  
 Using hardware that is too long will cause damage.  
 Before beginning assembly, separate each type of hardware. Carefully study the hardware diagrams below. You may receive extra hardware with your unit

<p>A</p> <p>Quantity of 1</p>  <p>Bottom Base</p>	<p>B</p> <p>Quantity of 1</p>  <p>Left Side Panel</p>	<p>C</p> <p>Quantity of 1</p>  <p>Right Side Panel</p>	
<p>D</p> <p>Quantity of 1</p>  <p>Horizontal Fixed Shelf</p>	<p>E</p> <p>Quantity of 1</p>  <p>Top Panel</p>	<p>F</p> <p>Quantity of 1</p>  <p>Left Middle Panel</p>	
<p>G</p> <p>Quantity of 1</p>  <p>Right Middle Panel</p>	<p>H</p> <p>Quantity of 1</p>  <p>Top Stretcher</p>	<p>I</p> <p>Quantity of 1</p>  <p>Left Side Door</p>	
<p>J</p> <p>Quantity of 1</p>  <p>Right Side Door</p>	<p>K</p> <p>Quantity of 1</p>  <p>Upper Back Panel</p>	<p>L</p> <p>Quantity of 2</p>  <p>Side Back Panel</p>	
<p>M</p> <p>Quantity of 2</p>  <p>Adjustable Shelf</p>	<p>N</p> <p>Quantity of 1</p>  <p>Wood Holder</p>	<p>O</p> <p>Quantity of 1</p>  <p>Firebox Sold In A Separate Carton</p>	<p>P</p> <p>Quantity of 1</p>  <p>Optional Center Support</p>

# "Antebellum" Media Fireplace Mantle Parts List

Please review all parts and hardware before disposing of any packaging.  
 Call Customer Service if missing hardware. Do not return to store/retailer.  
 Using hardware that is too long will cause damage.  
 Before beginning assembly, separate each type of hardware. Carefully study the hardware diagrams below. You may receive extra hardware with your unit

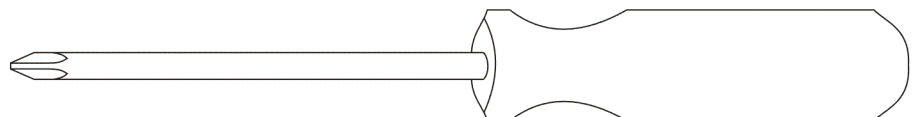
(1)  8mm x 30 mm Wood Dowel	Quantity of 22	(2)  3/16" x 1" Bolt	Quantity of 3	(3)  Cam Lock Bolt	Quantity of 20	(4)  Cam Lock	Quantity of 20
(5)  Magnet	Quantity of 2	(6)  3.5mm x 15mm Screw For Magnet	Quantity of 4	(7)  3.5mm x 12 mm Screw For Back	Quantity of 42	(8)  Wood Knob	Quantity of 2
(9)  5/32" x 22mm Bolt For Knob	Quantity of 2	(10)  Metal Pin	Quantity of 8	(11)  8mm x 25mm Screw For Wood Holder	Quantity of 2	(12)  Bracket	Quantity of 4
(13)  3.5mm x 15 mm Screw For Bracket	Quantity of 4	(14)  Plastic Anchor	Quantity of 4	(15)  7mm x 38mm Screw For Wall	Quantity of 4	(16)  Plastic Chain	Quantity of 2

### Care and Cleaning Instructions:

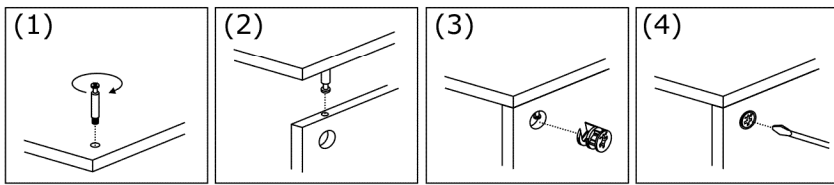
Before using, wipe with a clean, dry cloth. Periodically apply furniture wax to renew the finish. Avoid rubbing or scratching the surface with rough or abrasive objects.

For replacement parts or questions, please call Customer Service at 1-800-633-5096. Do not return product to store. Please call manufacturer for assistance, questions or parts.

Assembly Tool Required  
 No. 2 Phillips Screwdriver  
 (Not Included)



# "Antebellum" Media Fireplace Mantle Assembly Instructions



Please do not over tighten cam bolts.  
Please stop when you feel tight.

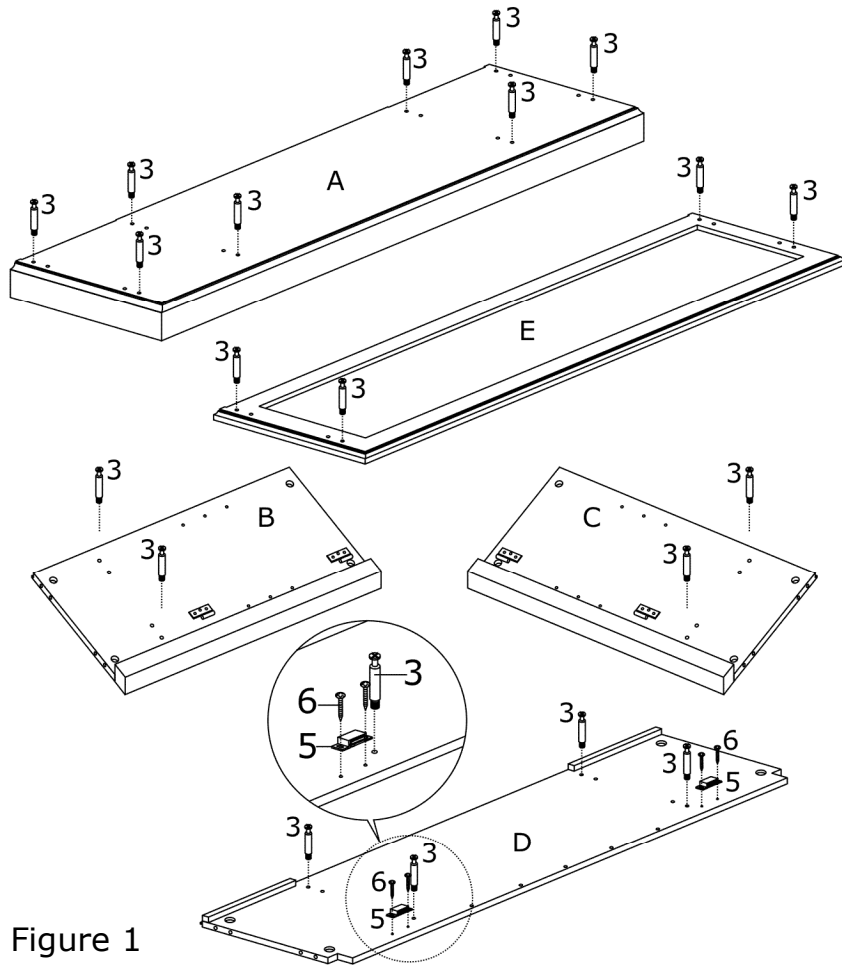


Figure 1

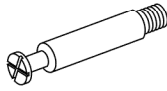
## Assembly Instructions:

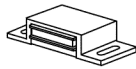
Wood may scratch easily. Be careful when assembling. Do not scratch.

Step 1. Unpack and lay parts on clean, padded surface like carpet or blanket. Check that you have all parts indicated on the front page.

Step 2. Put the Bottom Base(A), Side Panels(B,C), Top Panel(E) and Horizontal Fixed Shelf(D) on the soft working surface. Then attach Cam Lock Bolt(3) to them.

Step 3. Attach Magnet(5) to Horizontal Fixed Shelf(D) with Screw for Magnet(6).

(3)		Quantity of 20
Cam Lock Bolt		

(5)		Quantity of 2
Magnet		

(6)		Quantity of 4
3.5mm x 15mm Screw For Magnet		

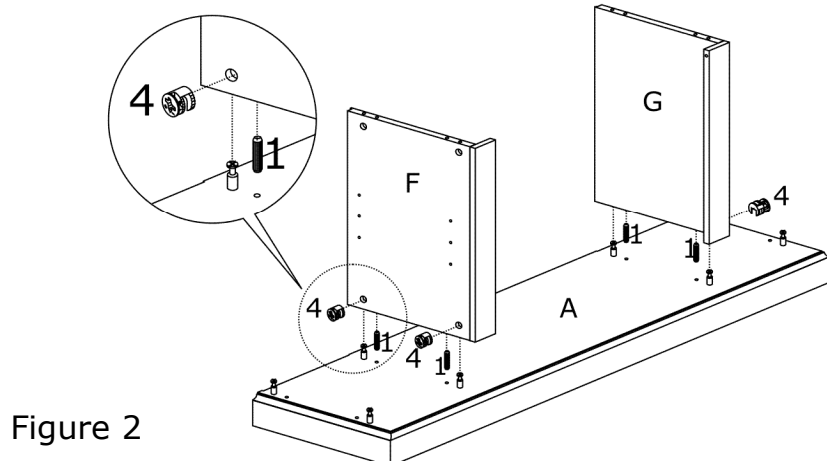
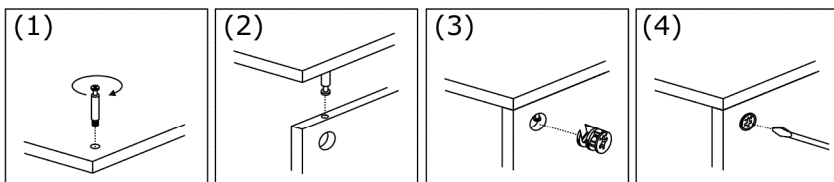



Figure 2

Step 1. Insert the Wood Dowels(1) into predrilled holes in Middle Panels(F,G).

Step 2. Attach Middle Panels(F,G) to the Bottom Base(A) with Cam Lock(4)

(1)		Quantity of 4
8mm x 30 mm Wood Dowel		

(4)		Quantity of 4
Cam Lock		



# "Antebellum" Media Fireplace Mantle Assembly Instructions

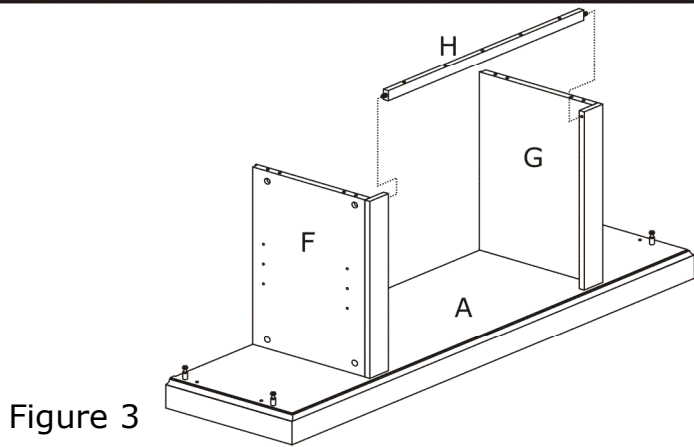
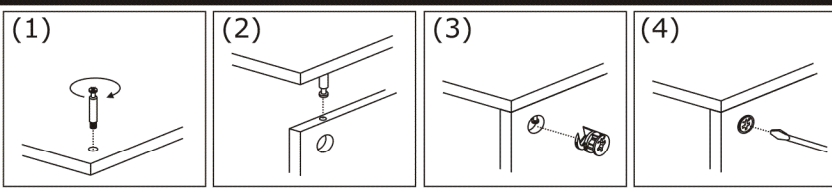


Figure 3

Step 1. Attach Top Stretcher(H) to Middle Panels(F,G)



Step 1. Insert the Wood Dowels(1) into predrilled holes in Middle Panels(F,G) and Top Stretcher(H).

Step 2. Attach Horizontal Fixed Shelf(D) to the Middle Panels(F,G) and Top Stretcher(H) with Bolt(2) and Cam Lock(4).

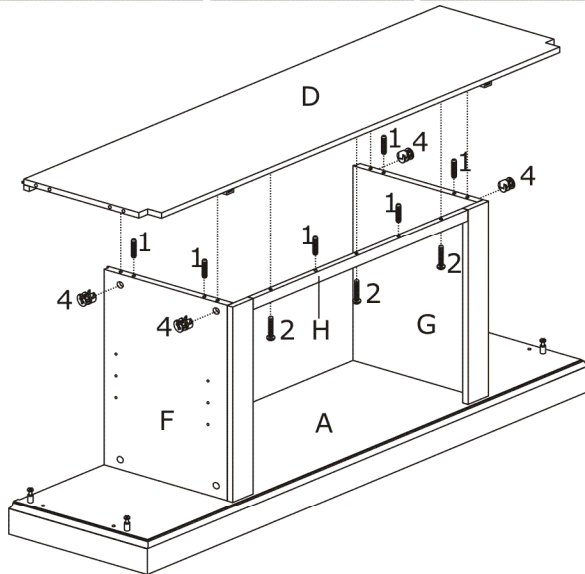

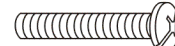

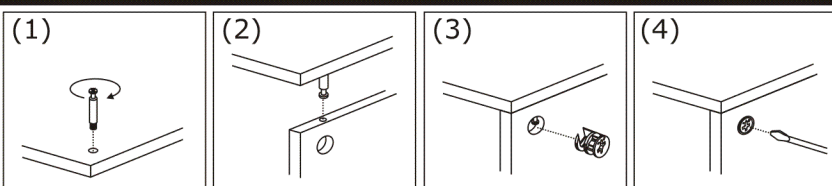


Figure 4

(1)	 8mm x 30 mm Wood Dowel	Quantity of 6
(2)	 3/16" x 1" Bolt	Quantity of 3
(4)	 Cam Lock	Quantity of 4



Step 1. Insert the Wood Dowels(1) into predrilled holes in Horizontal Fixed Shelf(D) and bottom of Side Panels(B,C).

Step 2. Attach Side Panels(B,C) to the Bottom Base(A) and Horizontal Fixed Shelf(D) with Cam Lock(4).

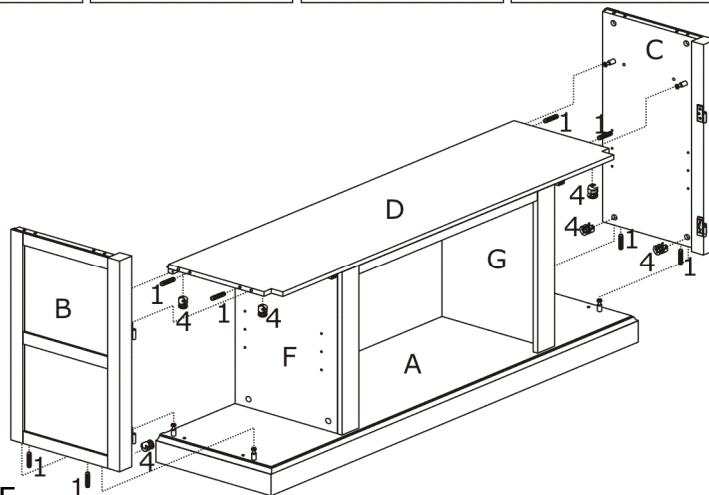




Figure 5

(1)	 8mm x 30 mm Wood Dowel	Quantity of 8
(4)	 Cam Lock	Quantity of 8

# "Antebellum" Media Fireplace Mantle Assembly Instructions

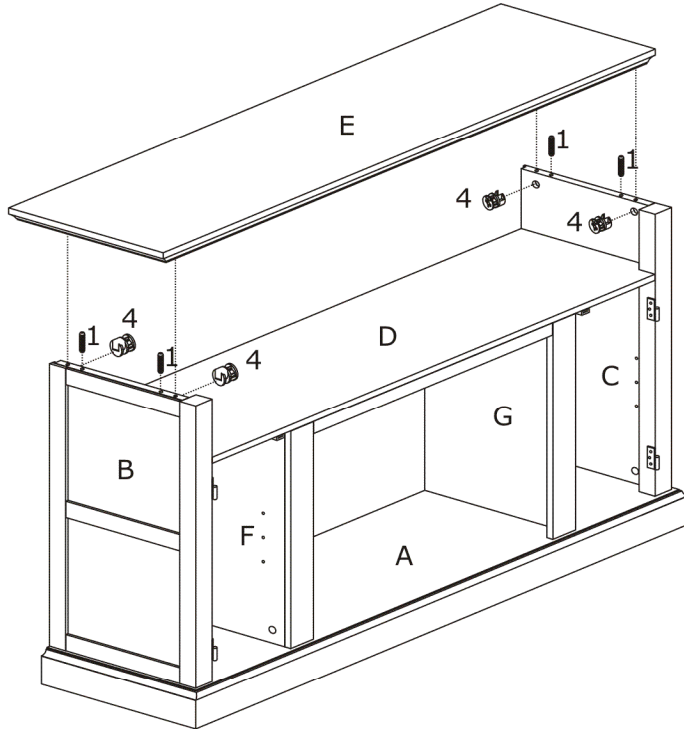
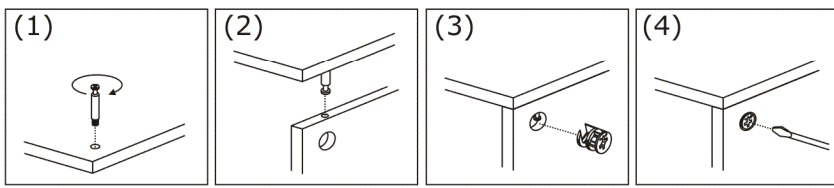

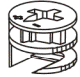


Figure 6

Step 1. Insert the Wood Dowels(1) into predrilled holes in Side Panels(B,C).

Step 2. Attach Top Panel(E) to the Side Panels(B,C) with Cam Lock(4).

(1)	 8mm x 30 mm Wood Dowel	Quantity of 4
(4)	 Cam Lock	Quantity of 4

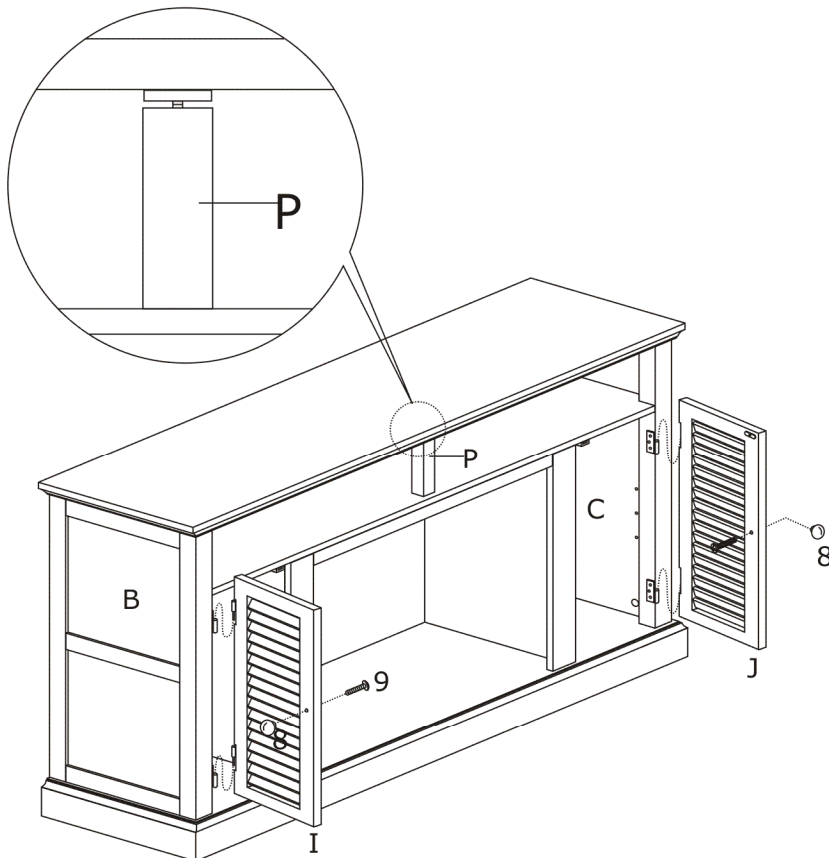




Figure 7

Step 1. Attach Metal Knob(8) to Doors (I,J) with Bolt For Metal Knob(9).

Step 2. Attach Optional Center Support(P) between the Top Panel(E) and Horizontal Fixed Shelf(D).

(8)	 Wood Knob	Quantity of 2
(9)	 5/32" x 22mm Bolt for Knob	Quantity of 2

# "Antebellum" Media Fireplace Mantle Assembly Instructions

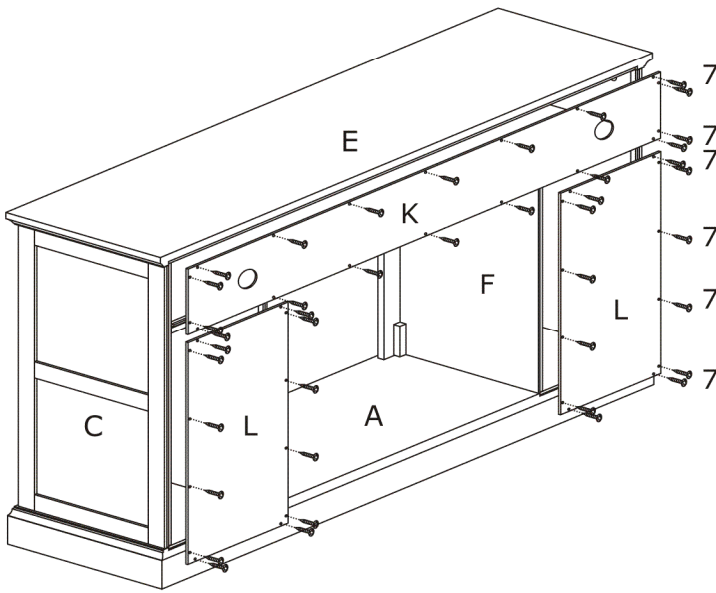



Figure 8

Step 1. Insert Upper Back Panel(K) and Side Back Panel(L) into grooves of Side Panels(B,C), Top Panel(E) and Bottom Base(A) with Screw For Back(7) and tighten.

(7)		Quantity of 42
3.5mm x 12mm Screw For Back		

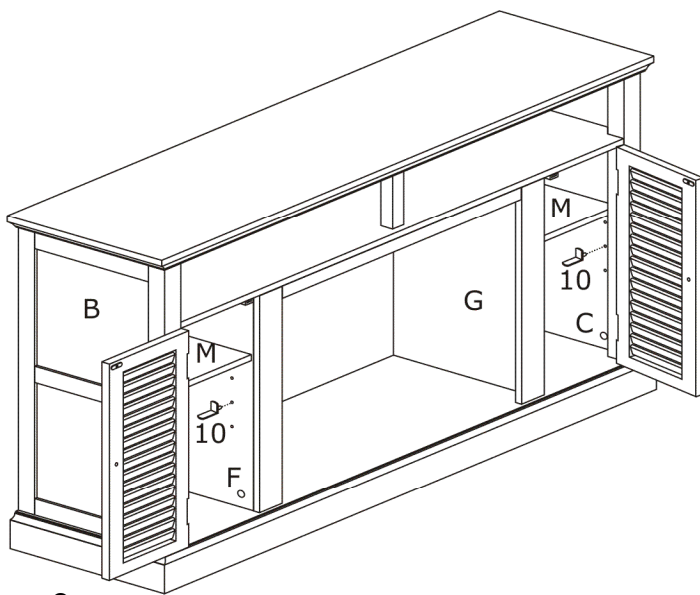


Figure 9

Step 1. Insert the metal Pin(10) into desirous holes of inner Side Panels(B,C) and Middle Panels(F,G).

Step 2. Put the Adjustable Shelf(M) on the Metal Pins(10) in each section.

(10)		Quantity of 8
Metal Pin		

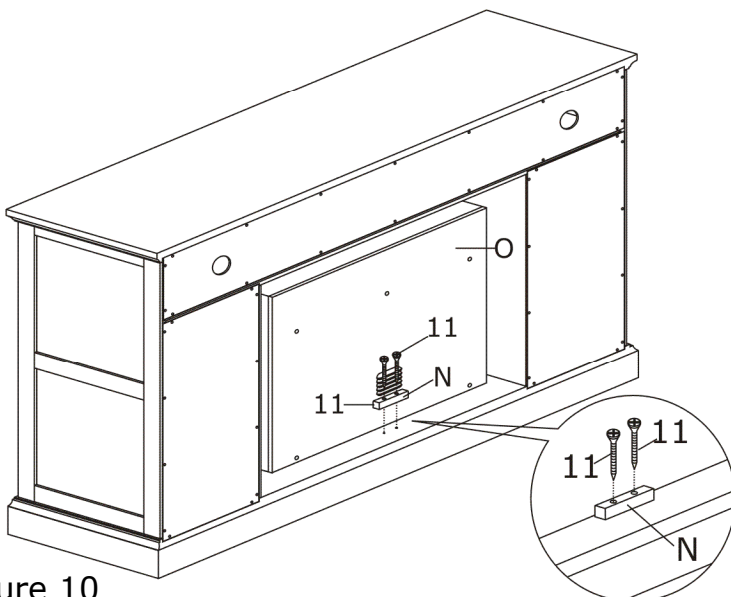


Figure 10

Step 1. Insert the firebox the back of fireplace. Make sure firebox is pressed tightly against the assembled unit. attach Wood Holder(N) against back side of firebox. Insert 2pcs Screw For Holder(11) through predrilled Wood holes on Wood Holder(N) and tighten into corresponding holes on back of firebox. As figure 10 shown.

(11)		Quantity of 2
8mm x 25mm Screw For Wood Holder		



# "Antebellum" Media Fireplace Mantle Assembly Instructions

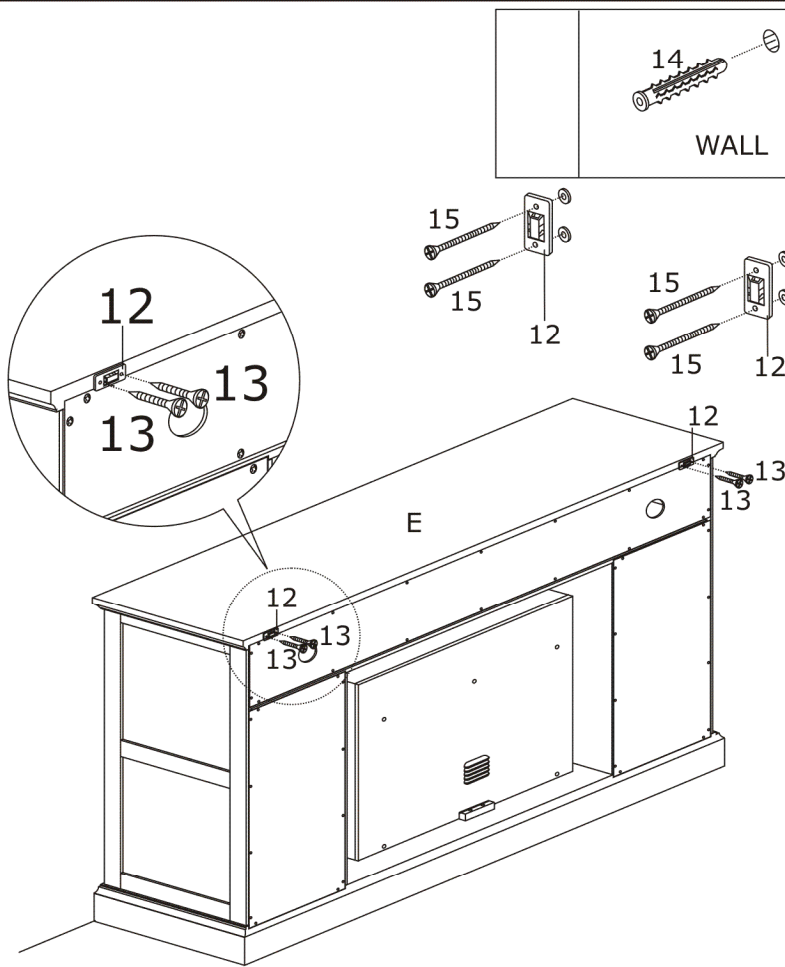


Figure 11

Step 1. Attach Bracket(12) to the Top Panel(E) with Screw For Bracket(13).

Step 2. Drill 1/4 pilot holes in near proximity of the Bracket(12) attached to the Top Panel(E) and tap the Plastic Anchor(14) into wall.

Step 3. Fasten Bracket(12) using Screw For Wall(15) into the Plastic Anchor(14).

(12)	Bracket	Quantity of 4
(13)	3.5mm x 15 mm Screw For Bracket	Quantity of 4
(14)	Plastic Anchor	Quantity of 4
(15)	7mm x 38 mm Screw For Wall	Quantity of 4

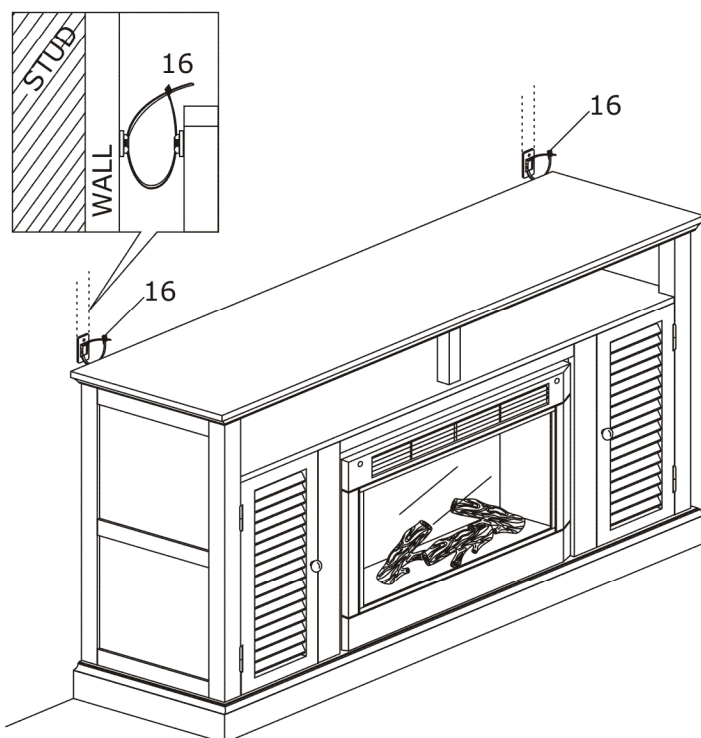


Figure 12

Step 1. Move this item to the fastened wall Bracket(12) and tie in both Bracket(12) with Plastic Chain(16) as shown in diagram.

(16)	Plastic Chain	Quantity of 2
------	---------------	---------------



# Parts Replacement Form

## Customer Information

Name \_\_\_\_\_

Address \_\_\_\_\_

City/State/Zip Code \_\_\_\_\_

Phone Number \_\_\_\_\_

Please indicate where you purchased this item: Store/Website/Catalog

Please indicate color/size/style number:

Style No	Parts Letter	Parts Description	Quantity Needed
----------	--------------	-------------------	-----------------


Please immediately examine this product carefully. Any request for missing parts or damage replacement must be received within 90 days of your receipt of the product. Replacement, if available, will be honored within this time frame. Parts will not be available for items arriving fully assembled. We do not recommend modifying product(s) and we are not responsible for any damages due to product modification(s). If damages or missing parts are not reported within 90 days of your receipt, we are under no obligation to provide parts or replacement merchandise.

Please contact Southern Enterprises at 800-633-5096 or in Dallas 972-869-0111/ 9am 4pm Mon-Fri Central time if you have product issues or email us at [service@seidal.com](mailto:service@seidal.com). Please ask for customer service representative for issues involving damages or replacement parts. Please ask for technical assistance representative for any issues with product and assembly/construction.

Please contact the retailer that you purchased from for returns.



Customer Service 1-800-633-5096  
[service@seidal.com](mailto:service@seidal.com)  
Southern Enterprises, Inc.  
600 Freeport Parkway, Suite 200  
Coppell, Texas, 75019



## **CAUTION**

The top shelf is intended for a flat screen television with a maximum overall width of 46" and supports up to 85 lb.

The top shelf is NOT INTENDED for tube televisions.

Each center shelf should not be loaded with more than 20 lb. Each side shelf should not be loaded with more than 15 lb.

DO NOT EXCEED RECOMMENDED LOAD. Use with products heavier than the maximum sizes and weights indicated may result in instability causing possible injury.

This unit contains a permanent warning sticker located on under side of top shelf or inside drawer.

Do not allow children under 16 years to move the cart.

Model: FA930500TX & FA930600TX & FA930800TX  
"Antebellum" Media Fireplace Mantle  
Southern Enterprises, Inc  
600 Freeport Parkway,  
Suite 200 Coppell, Texas, 75019  
Manufacture Date: 08/25/2011