

"SICILIAN" FIREPLACE

FA927500TX-IVORY

FA927600TX-BLACK

FA927700TX-MAHOGANY

ASSEMBLY INSTRUCTION



For assistance with assembly contact:
Southern Enterprises Inc.
Customer Service 1-800-633-5096
service@seidal.com
www.seidal.com


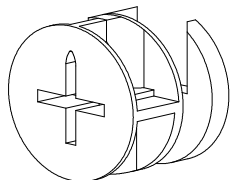
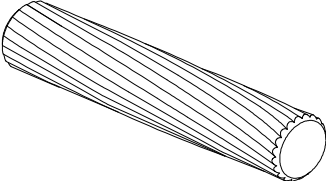
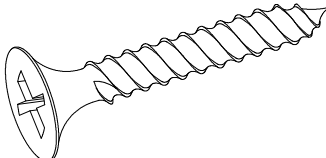
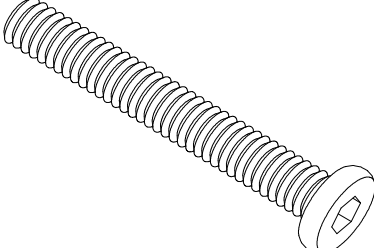
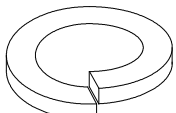
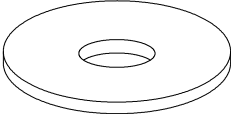
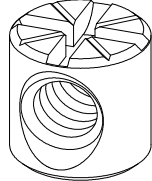
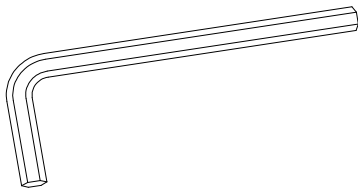


PO#11993

"SICILIAN" FIREPLACE

Parts List

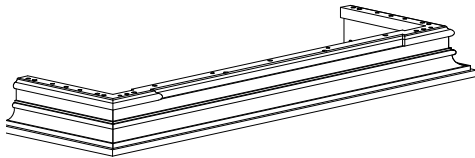
Please review all parts and hardware before disposing of any packaging. Call Customer Service if missing hardware. Do not return to store/retailer. Using a screw that is too long will cause damage. Before beginning assembly, separate each type of screw. Carefully study the screw diagrams below. You may receive extra hardware with your unit.

A  CAM BOLT	Quantity of 16  CAM LOCK
C  WOOD DOWEL	Quantity of 24 D  WOOD SCREW
E  SOCKET HEXAGON SCREW	Quantity of 6 F  SPRING WASHER
G  FLAT WASHER	Quantity of 6 H  CROSS SOCKET NUT
I  ALLEN WRENCH	

"SICILIAN" FIREPLACE Parts List

Please review all parts and hardware before disposing of any packaging. Call Customer Service if missing hardware. Do not return to store/retailer. Using a screw that is too long will cause damage. Before beginning assembly, separate each type of screw. Carefully study the screw diagrams below. You may receive extra hardware with your unit.

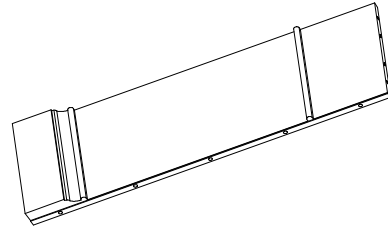
(1)



TOP PANEL

Quantity
of 1

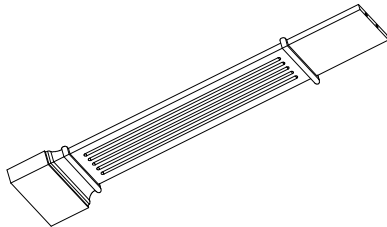
(2)



SIDE PANEL

Quantity
of 2

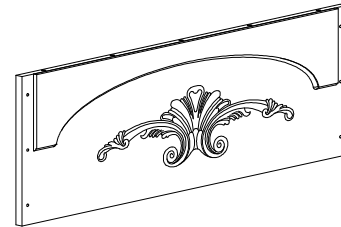
(3)



SIDE FRONT PANEL

Quantity
of 2

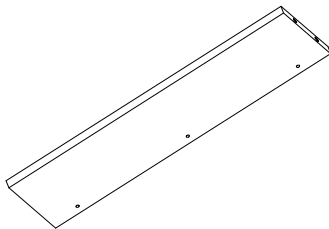
(4)



FRONT UPPER CROSS PANEL

Quantity
of 1

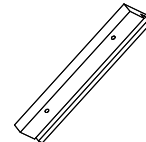
(5)



SIDE BLOCK SIDE PANEL / I & D \

Quantity
of 2

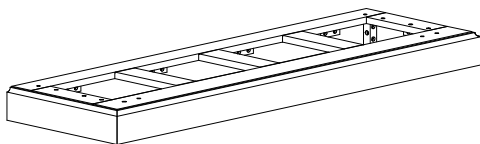
(6)



INNER FIXED BAR

Quantity
of 2

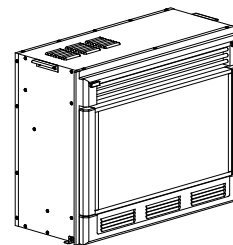
(7)



BASE

Quantity
of 1

(8)



INSERT (sold in a separate carton)

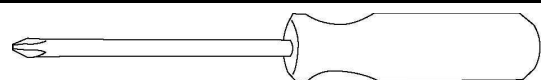
Quantity
of 1

Care and Cleaning Instructions:

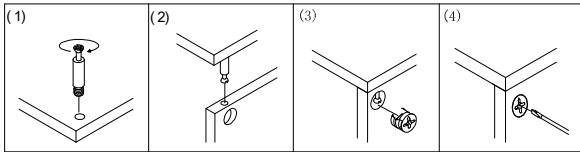
Before using, wipe with a clean, dry cloth. Periodically apply furniture wax to renew the finish. Avoid rubbing or scratching the surface with rough or abrasive objects. For replacement parts or questions, please

Call Customer Service at 1-800-633-5096. Do not return product to store, please call Manufacturer for assistance, questions or Parts.

Assembly Tool Required
No.2 Phillips Screwdriver (Not Included)



"SICILIAN" FIREPLACE Assembly Instructions



"Please do not over tighten cambolts. Please stop when you feel tight"

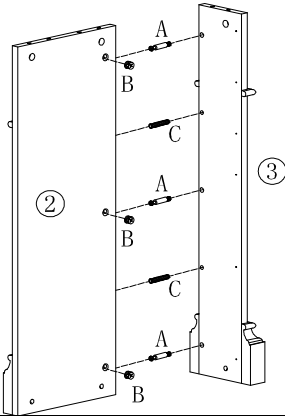


Figure 1

INSERT (A) CAM BOLT & (C) WOOD DOWEL TO THE RELATED HOLES, THEN USE (B) CAM LOCK TO CONNECT (2) SIDE PANEL & (3) SIDE FRONT PANEL.

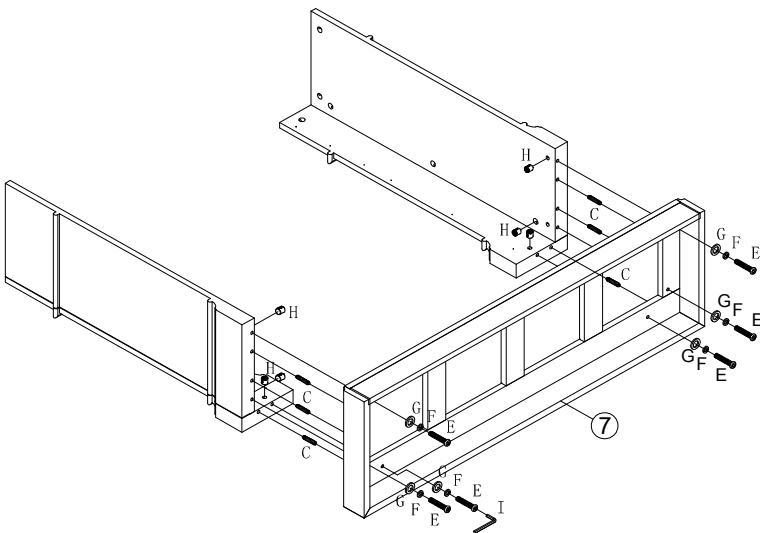


Figure 2

AFTER ASSEMBLED FIGURE 1, INSERT (C) WOOD DOWEL & (H) CROSS SOCKET NUT TO THE RELATED HOLES, THEN USE (E) SOCKET HEXAGON SCREW THROUGH (F) SPRING WASHER & (G) FLAT WASHER TO CONNECT (7) BASE.

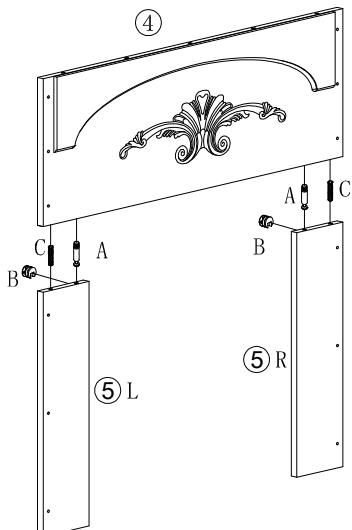


Figure 3

FIRST INSERT (B) CAM LOCK INTO THE RELATED HOLES OF (5) SIDE BLOCK FIRE PANEL, THEN PUSH (A) CAM BOLT & (C) WOOD DOWEL INTO THE RELATED HOLES OF INSERT (A) CAM BOLT & (C) WOOD DOWEL TO THE RELATED HOLES OF (4) FRONT UPPER CROSS PANEL. FINALLY USE SCREWDRIVER TO LOCK TIGHTLY.

"SICILIAN" FIREPLACE Assembly Instructions

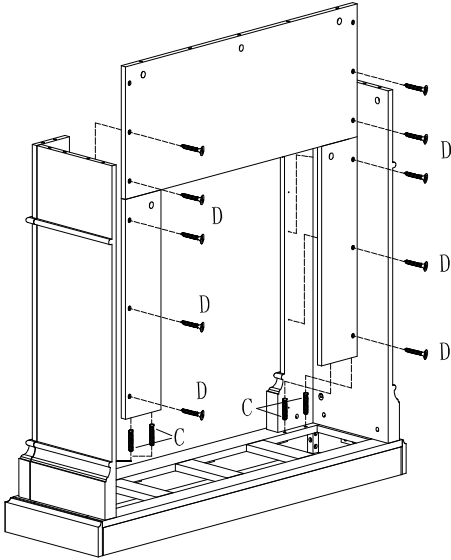


Figure 4

AFTER ASSEMBLED FIGURE 3 ,INSERT (C)WOOD DOWEL TO THE RALATED HOLES OF BASE THEN PUSH THE COMPLETED FIGURE (3) TO THE BACK OF SIDE FRONT PANEL THEN INERT (D)WOOD SCREW TO THE RELATED HOLES TO CONECT (3) SIDE FRONT PANEL.FINALLY USE SCREWDRIVER TO LOCK TIGHTLY.

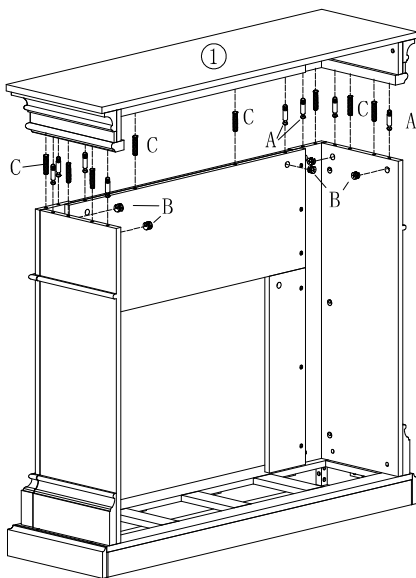


Figure 5

AFTER FINISHED FIGURE 4, INSET (A) CAM BOLT & (C) WOOD DOWEL INTO THE RELATED HOLES,THEN INSERT (B) CAM LOCK TO CONNECT (1) TOP PANEL.

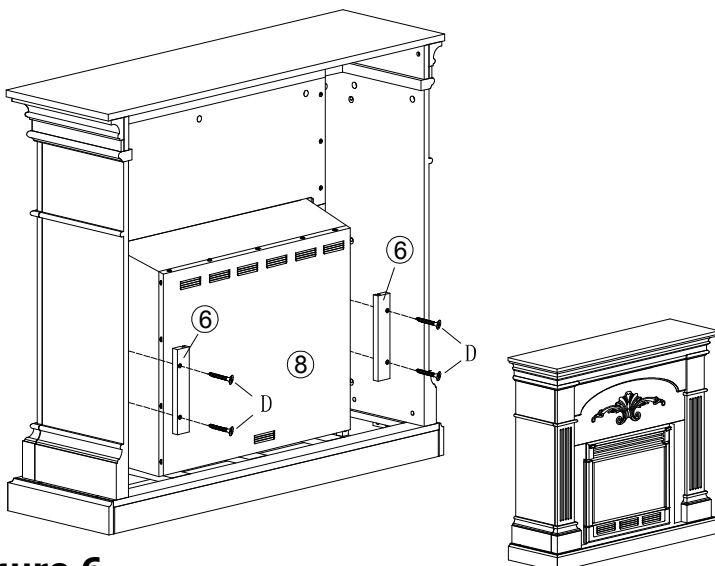


Figure 6

AFTER FINISHED FIGURE 5,THEN INSERT (J) INSERT TO THE RELATED PLACE OF MAIN BODY, THEN INSERT (D) WOOD SCREW TO CONNECT (6) INNER FIXED BAR WITH MAIN BODY. FINALLY USE SCREWDRIVER TO LOCK IT TIGHTLY.

Parts Replacement Form

Customer Information

Name _____

Address _____

City/State/Zip Code _____

Phone Number _____

Please indicate where you purchased this item: Store/Website/Catalog

Please indicate color/size/style number:

Style No	Parts Letter	Parts Description	Quantity Needed
_____	_____	_____	_____
_____	_____	_____	_____
_____	_____	_____	_____

Please immediately examine this product carefully. Any request for missing parts or damage replacement must be received within 90 days of your receipt of the product. Replacement, if available, will be honored within this time frame. Parts will not be available for items arriving fully assembled. We do not recommend modifying product(s) and we are not responsible for any damages due to product modification(s). If damages or missing parts are not reported within 90 days of your receipt, we are under no obligation to provide parts or replacement merchandise.

Please contact Southern Enterprises at 800-633-5096 or in Dallas 972-869-0111/ 9am – 4pm Mon-Fri Central time if you have product issues or email us at service@seidal.com. Please ask for customer service representative for issues involving damages or replacement parts. Please ask for technical assistance representative for any issues with product and assembly/construction.

Please contact the retailer that you purchased from for returns.



Customer Service 1-800-633-5096

service@seidal.com

Southern Enterprises, Inc.

600 Freeport Parkway, Suite 200

Coppell, Texas 75019