



**SimpliFire**<sup>™</sup>  
Fire Made Simple

Electric

Built-In Fireplaces

# Authentic Style, Unmatched Ease

Traditional has never been this easy. A detailed masonry-style interior, textured log set and 4 flame height adjustments enhance the appeal of these two classic models. Enjoy the ambiance—with or without the heat. Experience “Fire Made Simple.”

### Features

- 100% efficient- costs just pennies an hour to operate. Use with or without heat
- SimpliFire 30 and 36-inch built-in models allow zero-clearance installation
- Efficient LED flame technology means the bulbs never need to be changed
- Intuitive, multi-function remote included with all SimpliFire fireplaces allows flame and heat control
- 4,800 BTU heat output is perfect for zone heating your space



Cover: 36-Inch Built-In shown with kenwood mantel.  
Above: 30-Inch Built-In shown with custom mantel.



### 36-Inch Built-In

- Efficient LED accent lighting and flame technology
- Multi-function remote standard



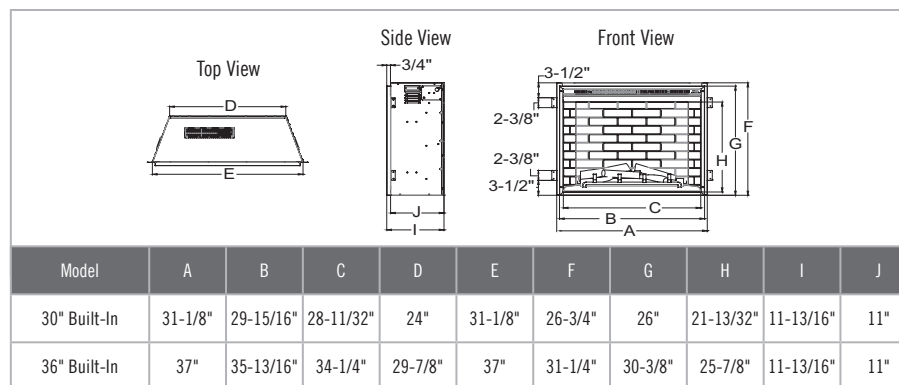
### 30-Inch Built-In

- Efficient LED accent lighting and flame technology
- Multi-function remote standard

### Specifications

Model	BTU Output	Unit Width	Framing Width	Unit Height	Framing Height	Unit Depth	Framing Depth
30" Built-In SF-BI30-E	4,800	31-1/8"	32"	26-3/4"	27-1/2"	11-13/16"	11"
36" Built-In SF-BI36-E	4,800	37"	37-3/8"	31-1/4"	35-1/2"	11-13/16"	11"

### Dimensions



<sup>1</sup> The SF-PP23-E 23" Fireplace and SF-PP-26-E 26" Fireplace are not designed or intended for built in application. Dimensions above are in inches. Reference dimensions only. We recommend measuring individual units at installation. Refer to installation manual for detailed specifications on installing this product. SimpliFire reserves the right to update units periodically. Pictures in this brochure are not a true representation of the fireplace and/or flames.