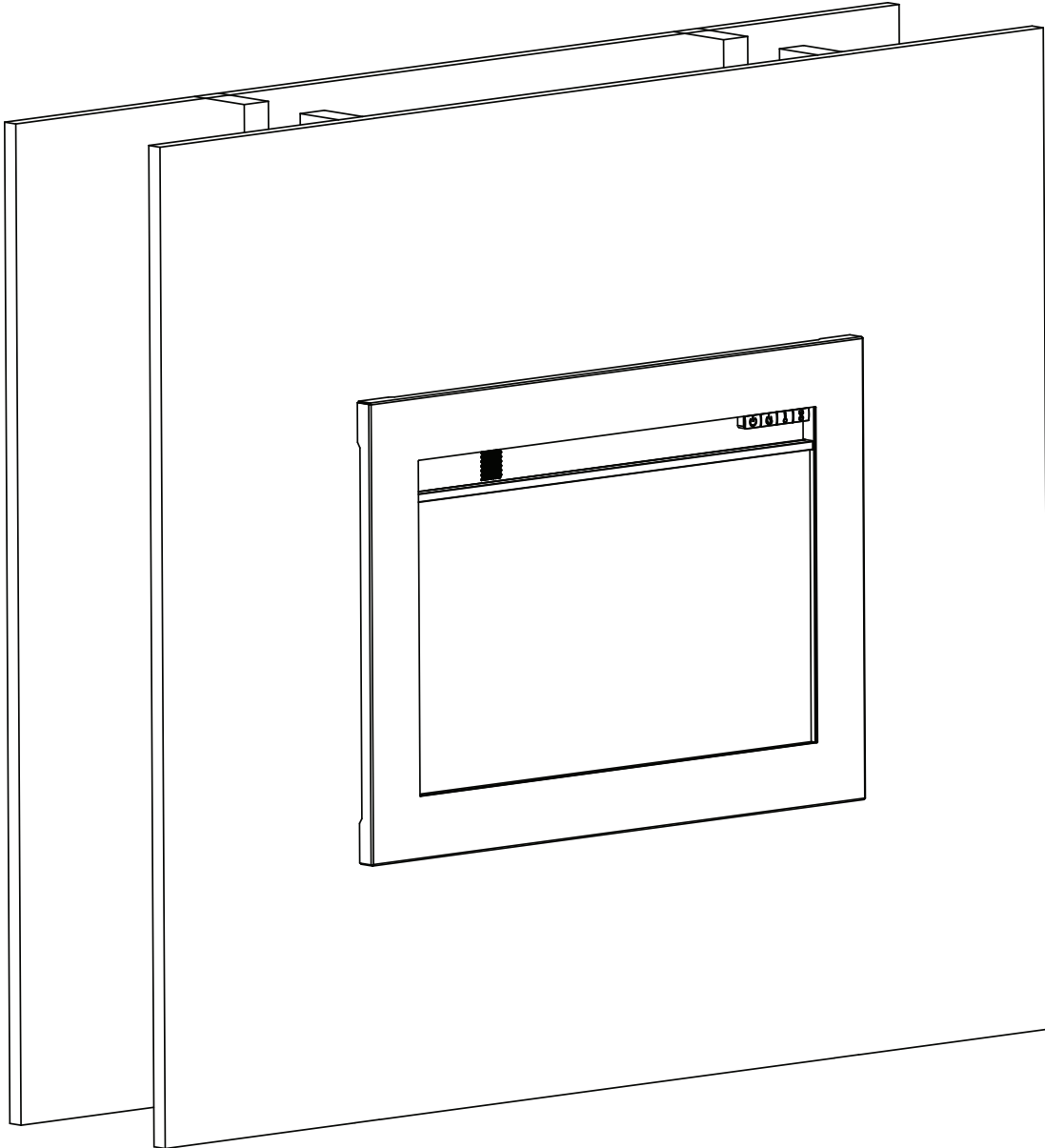


BB KIT



www.tsicustomerservice.com

 1-877-587-1791

TWIN-STAR[®]
INTERNATIONAL
HOME FURNISHINGS

Twin-Star International, Inc. Delray Beach, FL 33445
Made in China • Printed in China • Fabricado en China • Impreso en
China • Fabriqué en Chine • Imprimé en Chine

THANK YOU!

Thank you for purchasing a Twin-Star International product, designed in the U.S.A. We hope it brings you many years of enjoyment. Please take a moment of your time to register your new purchase:

www.tsicustomerservice.com.

For new users simply select the category that applies to the product you've purchased and fill out the product registration form. Once the registration process is complete you will be able to:

- Register one or multiple products
- Order parts
- Download user manuals
- Request product information or assistance

When registering your product be sure to sign up for Twin-Star International updates, which will keep you informed of important service information, provide helpful tips about our products, and make it easier if you should ever have to contact our technical support group. Twin-Star International values your privacy and will never share your personal information with other organizations. The information you submit is used only for purposes of providing product related services to you.

If you are unable to register your product, please save your proof of purchase for part replacement purposes.

IMPORTANT:

Retain for future reference.
Read carefully.

MERCI!

Nous vous remercions d'avoir acheté un produit Twin-Star International, conçu aux États-Unis. Nous espérons qu'il saura vous procurer des années de satisfaction. Veuillez prendre un moment pour enregistrer votre nouvel achat :

www.tsicustomerservice.com.

Pour les nouveaux utilisateurs, sélectionnez simplement la catégorie qui s'applique au produit que vous avez acheté et remplissez le formulaire d'enregistrement du produit. Une fois le processus d'enregistrement complété, vous serez en mesure de:

- Enregistrer un ou plusieurs produits
- Commander des pièces
- Télécharger le manuel de l'utilisateur
- Demander de l'information ou de l'assistance sur le produit

Quand vos enregistrez votre produit, assurez-vous de vous abonner aux mises à niveau de Twin-Star International, lesquelles visent à vous tenir au fait de toute information importante pour le service, à vous fournir des conseils utiles sur nos produits et à accélérer le processus si vous deviez contacter notre groupe de soutien technique. Twin-Star International se soucie de la protection de vos renseignements personnels et ne partagera jamais votre information personnelle avec d'autres organisations. L'information que vous soumettez est utilisée uniquement pour vous fournir des services en relation avec votre produit.

Si vous ne parvenez pas à enregistrer votre produit, s'il vous plaît gardez votre reçu comme preuve d'achat pour tout remplacement de pièces.

IMPORTANT:

Conserver pour référence future. Lisez correctement

GRACIAS!

Gracias por comprar un producto de Twin-Star International, diseñado en los EE.UU.

Esperamos que le brinde muchos años de disfrute. Por favor, tómese un momento de su tiempo para registrar su compra nueva:

www.tsicustomerservice.com.

Para los usuarios nuevos, simplemente seleccione la categoría que se aplica al producto que ha comprado y rellene el formulario de registro del producto. Una vez finalizado el proceso de registro, usted podrá:

- Registrar uno o varios productos
- Realizar pedidos de piezas
- Descargar manuales de usuario
- Solicitar información o asistencia sobre el producto

Cuando registre su producto, asegúrese de suscribirse a las actualizaciones de Twin-Star International, las cuales le mantendrán informado sobre la información importante de servicio, le proporcionarán consejos útiles acerca de nuestros productos, y le facilitarán cuando tenga que contactar a nuestro grupo de soporte técnico. Twin-Star International valora su privacidad y nunca compartirá su información personal con otras organizaciones. La información que usted envíe sólo se utiliza para fines de proporcionarle servicios relacionados con los productos.

Si usted no puede registrar su producto, por favor guarde el comprobante de compra para el propósito de reponer piezas.

IMPORTANTE:

Conserver para futuras consultas. Lea cuidadosamente.

DEPENDABLE CUSTOMER SERVICE

Questions? Our experts are standing by to assist you at our toll-free help line. We can help you with assembly and, if necessary, replace damaged/missing parts. Assistance is available 7 days a week/24 hours a day/365 days per year.



NO NEED TO RETURN
TO STORE!



Contact us at:
www.tsicustomerservice.com
for troubleshooting and
technical support.



877-587-1791



Please have your store receipt,
instruction manual, and part
number ready when you call.

UN SERVICE À LA CLIENTÈLE FIABLE

Vous avez des questions ? Nos experts attendent votre appel sur la ligne sans frais, pour vous aider dans l'assemblage et au besoin pour remplacer toute pièce endommagée ou manquante. L'assistance est disponible 7 jours par semaine, 24 heures par jour et 365 jours par année.



UN SERVICE À
LA CLIENTÈLE FIABLE!



Contactez-nous au:
www.tsicustomerservice.com
pour le service de dépannage et
de soutien technique.



877-587-1791



Veillez avoir en main, avant de
nous contacter, la facture de votre
marchand, votre manuel
d'instruction et le numéro de
pièce requise.

SERVICIO DE ATENCIÓN AL CLIENTE FIABLE

¿Preguntas? Nuestros expertos están a su disposición a través de nuestra línea de ayuda gratuita, para brindarle asistencia con el ensamblaje, y, si es necesario, para reemplazar las partes dañadas/perdidas. La asistencia está disponible los 7 días de la semana, las 24 horas del día, los 365 días del año.



NO ES NECESARIO
DEVOLVERLO A LA
TIENDA!



Comuníquese con
nosotros en:
www.tsicustomerservice.com
para solución de problemas y
soporte técnico.



877-587-1791



Tenga a la mano su recibo
de la tienda, el manual de
instrucciones, y el número
de la pieza cuando realice la
llamada.

SAFETY INFORMATION



Please read and understand this entire manual before attempting to assemble, operate or install the product.



WARNING

- Some steps are more easily handled with two adults.

CAUTION

- Before assembly and/or installation, carefully unwrap all parts.
- Locate and set aside the hardware kit before discarding packaging.
- Use care when assembling your new product. Take your time and follow the assembly instructions closely.

INFORMATION DE SÉCURITÉ



Assurez-vous de lire et de comprendre l'intégralité du présent manuel avant de tenter d'assembler, d'utiliser ou d'installer le produit.



AVERTISSEMENT

- Certaines étapes sont plus faciles à effectuer avec l'aide d'un deuxième adulte.

MISE EN GARDE

- Avant l'assemblage et/ou l'installation, vous devez déballer minutieusement toutes les pièces.
- Localisez et mettez de côté le jeu de quincaillerie avant de jeter l'emballage.
- Soyez vigilant lorsque vous assemblez le nouveau produit. Prenez votre temps et suivez attentivement ces instructions.

INFORMACIÓN DE SEGURIDAD



Lea y comprenda completamente este manual antes de intentar ensamblar, usar o instalar el producto.



ADVERTENCIA

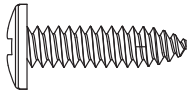
- Algunos de los pasos se pueden realizar con mayor facilidad entre dos adultos.

PRECAUCIÓN

- Antes del ensamblaje y/o instalación, desenvuelva cuidadosamente todas las piezas.
- Localice y separe el equipo de accesorios antes de desechar el embalaje.
- Tenga cuidado al ensamblar el nuevo producto. Tómese su tiempo y siga detenidamente las instrucciones de ensamblaje.

HARDWARE

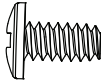
[x10]



AA

4x15mm
Screw

[x8]



BB

4x8mm
Bolt

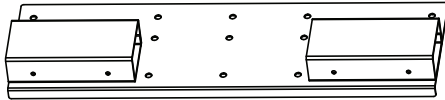
[x4]



CC

Securing Plate

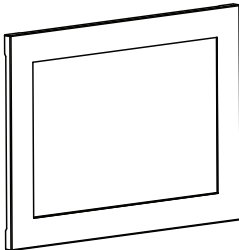
[x2]



DD

Mounting Bracket

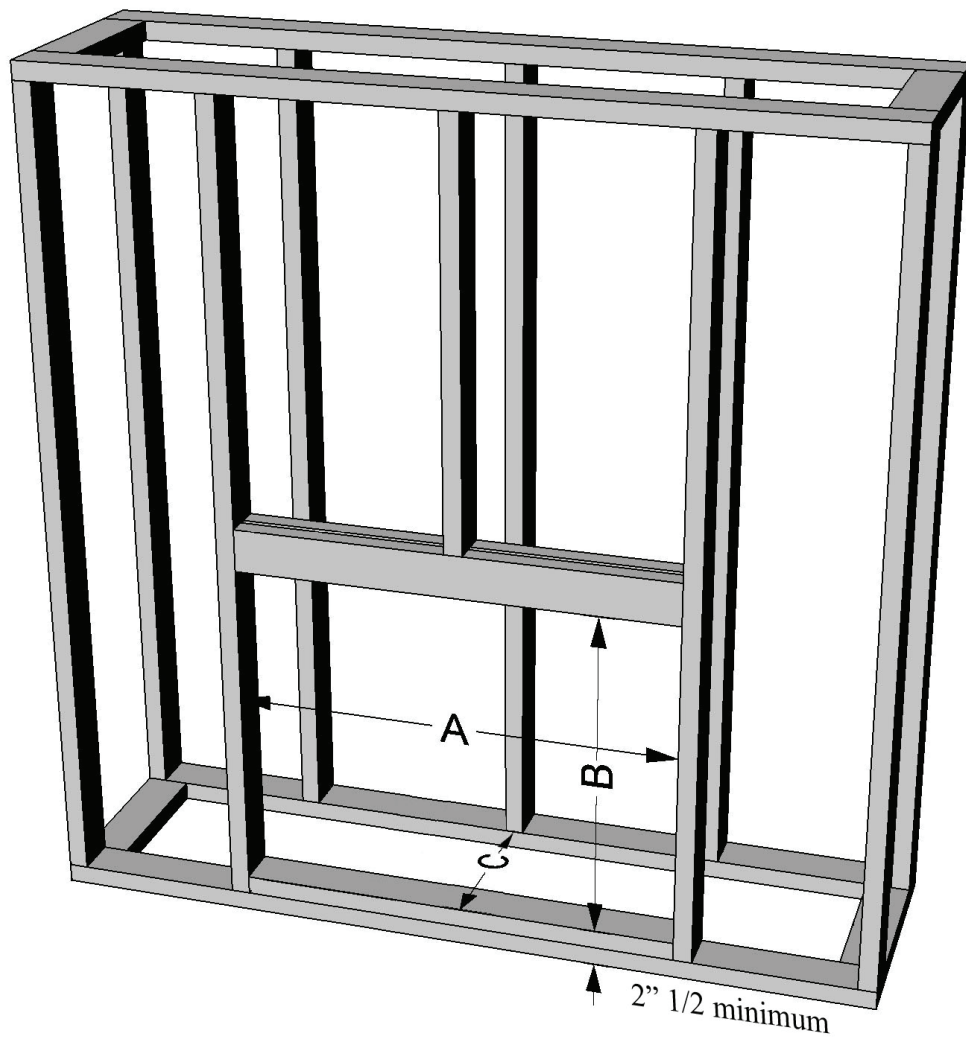
[x1]



EE

Frame

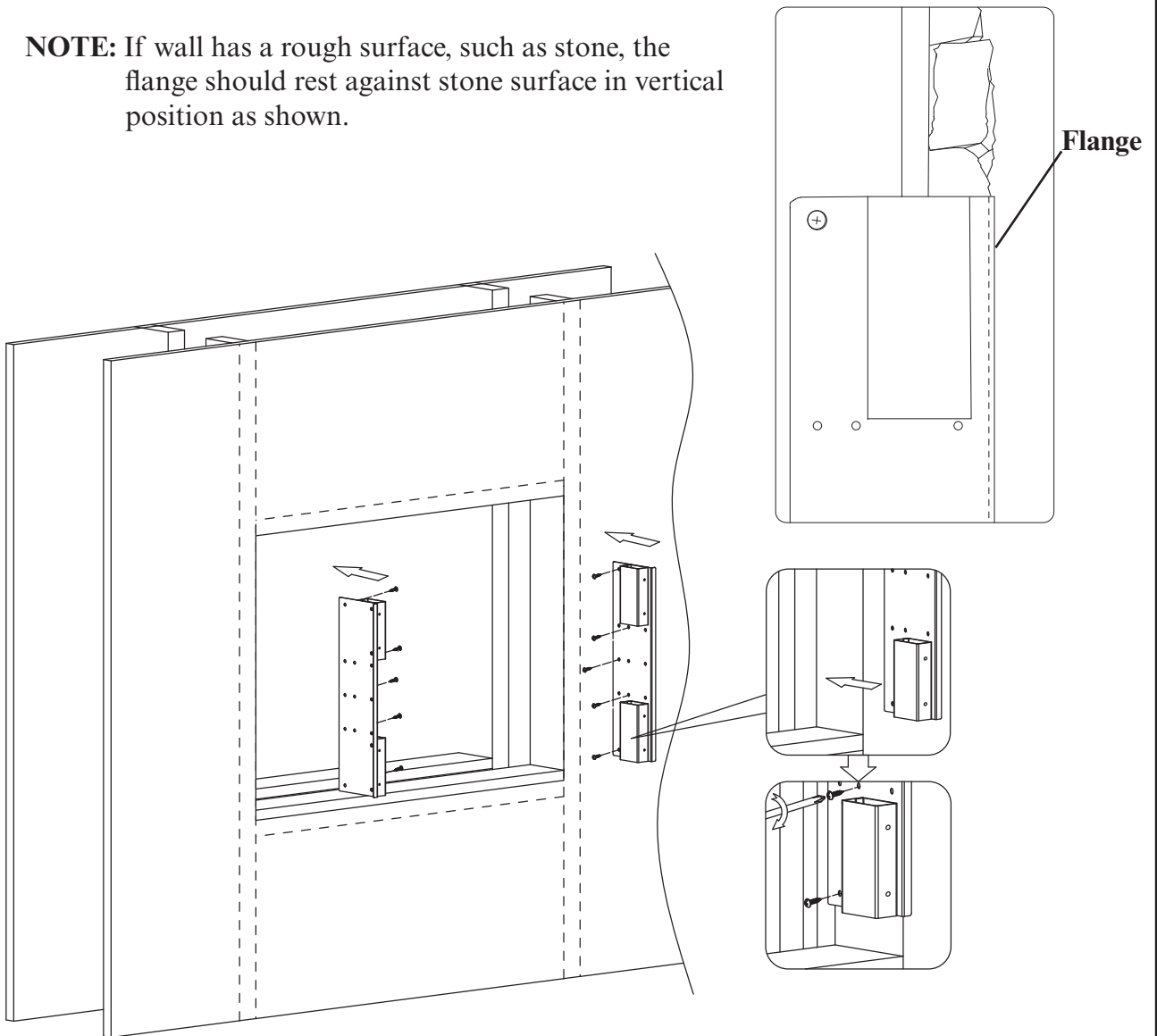
PRE-INSTALLATION (SPECIAL FRAMING INSTRUCTIONS)



Model Number	Frame Width (A)	Frame Height (B)	Frame Depth (C)
BB Kit - 18	20 11/32"	18"	9"
BB Kit - 23	24 13/32"	21 1/8"	10"
BB Kit - 26	30 3/4"	21 13/16"	10"
BB Kit - 28	32 15/16"	27 1/8"	10"
BB Kit - 33	37 3/4"	30 7/32"	10.5"

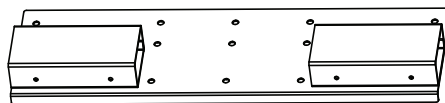
1

NOTE: If wall has a rough surface, such as stone, the flange should rest against stone surface in vertical position as shown.



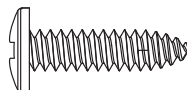
- Mount the brackets (DD) centered in the opening vertically. The flange should lie flat against the wall. Use screws (AA) to secure the bracket to the framing.
- Depending on framing materials used, the installer may choose to use screws other than what is supplied with this kit.

DD



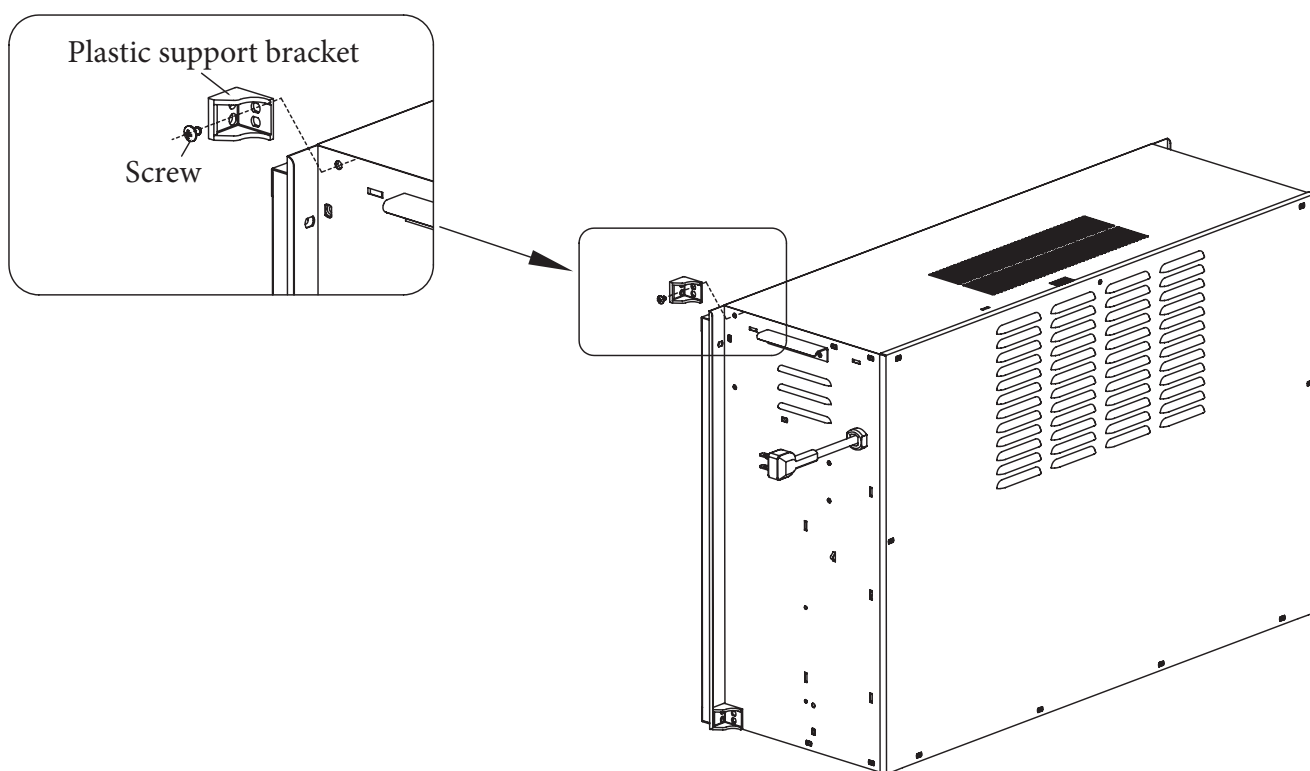
[x2]

AA

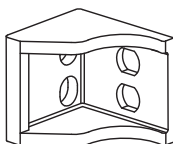


[x10]

NOTE: If the insert has this plastic support bracket it needs to be removed. Unscrew the 1 screw holding the bracket in place, remove the bracket then reinstall the screw. Repeat this step for the other corner.

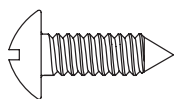


FF



[x2]

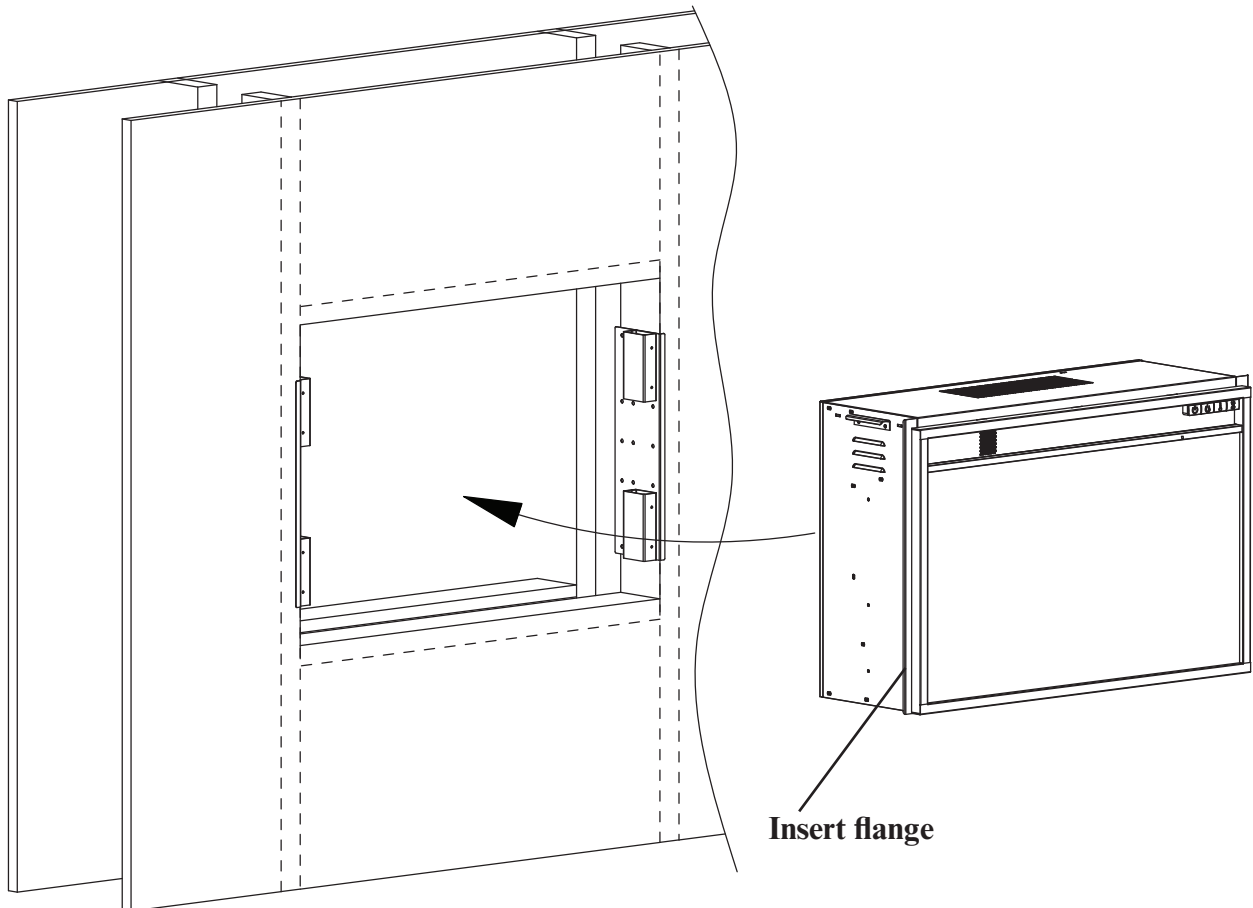
GG



[x2]

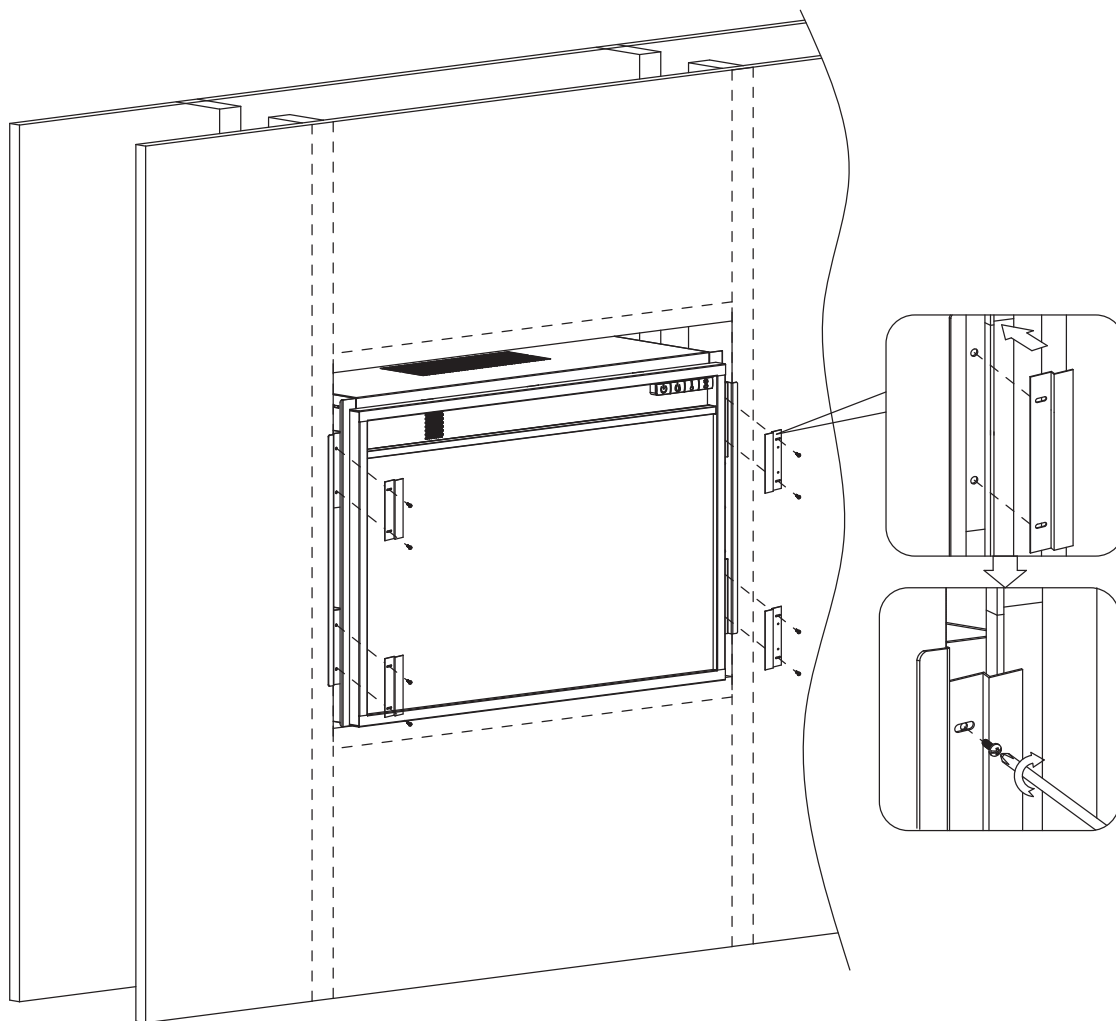
3

NOTE: Complete wiring of the Insert at this time.

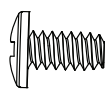


- Place the insert into the opening, push the insert against the bracket (DD) from step 1. The flange on the insert will lie flat against the bracket.

NOTE: Test the function of the Insert before continuing to ensure wiring is completed properly.



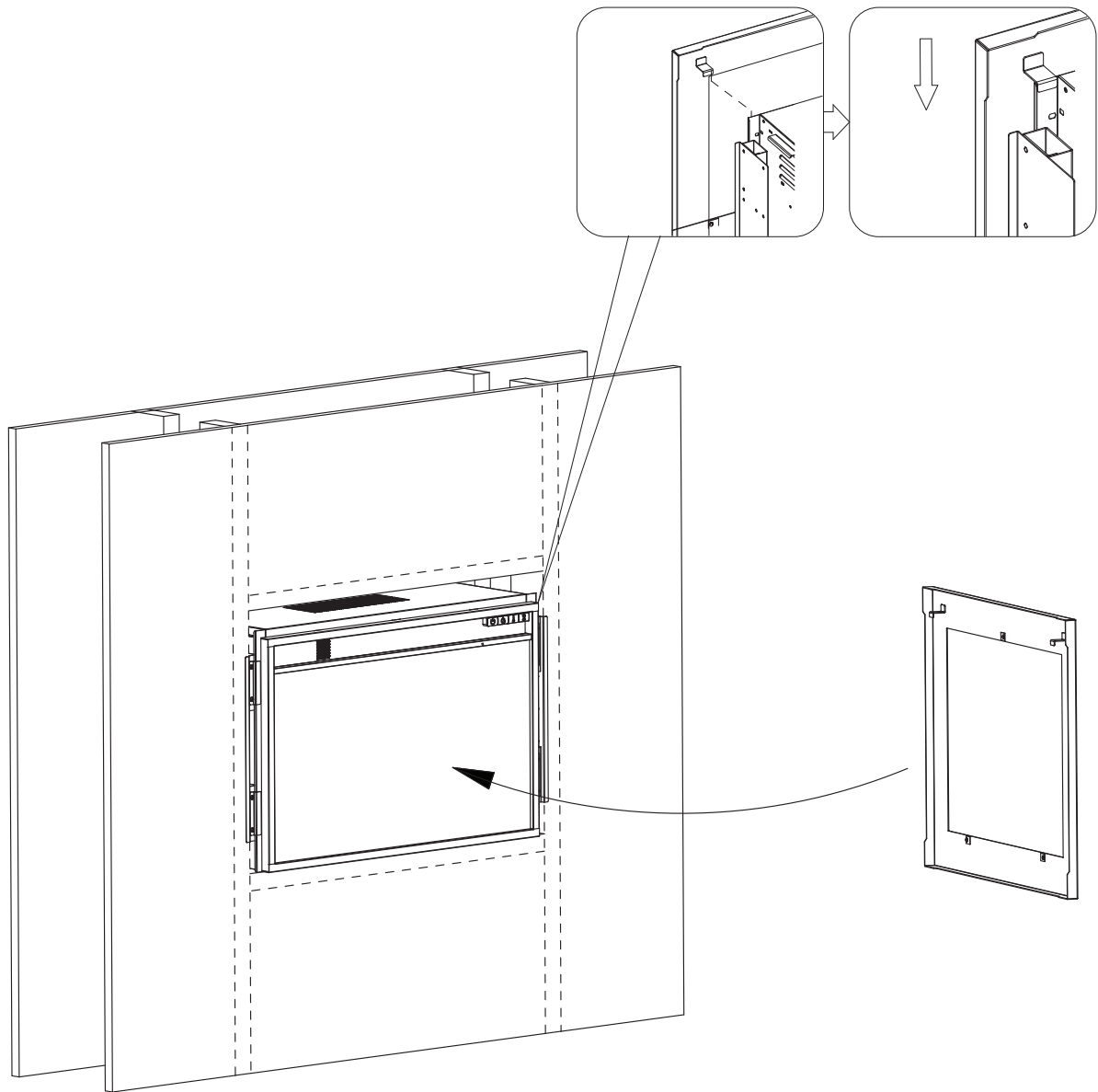
- Place the securing plates (CC) over the flange on the insert. Secure to mounting bracket (DD) with screws (BB). Once connected the insert should be held in place securely.



[x8]

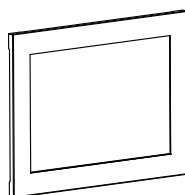


[x4]

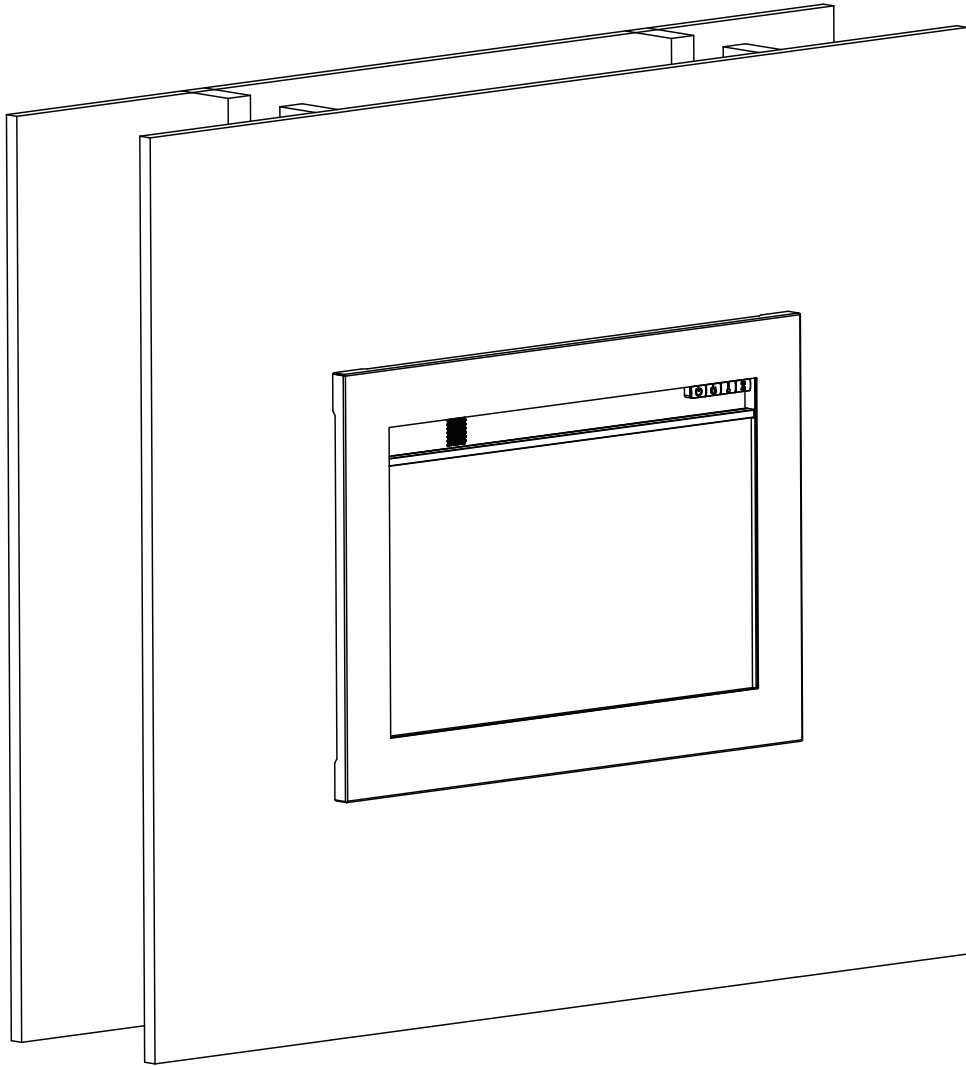


- Attach the Frame (EE) to the insert by placing the frame hooks over the insert flange as shown. Magnets along the bottom edge will secure the frame to the insert.

EE



[x1]



□ Installation is now complete.

**NOTES
REMARQUES
NOTAS**

www.tsicustomerservice.com

 **1-877-587-1791**



Twin-Star International, Inc. Delray Beach, FL 33445
Made in China • Printed in China • Fabricado en China • Impreso en
China • Fabriqué en Chine • Imprimé en Chine



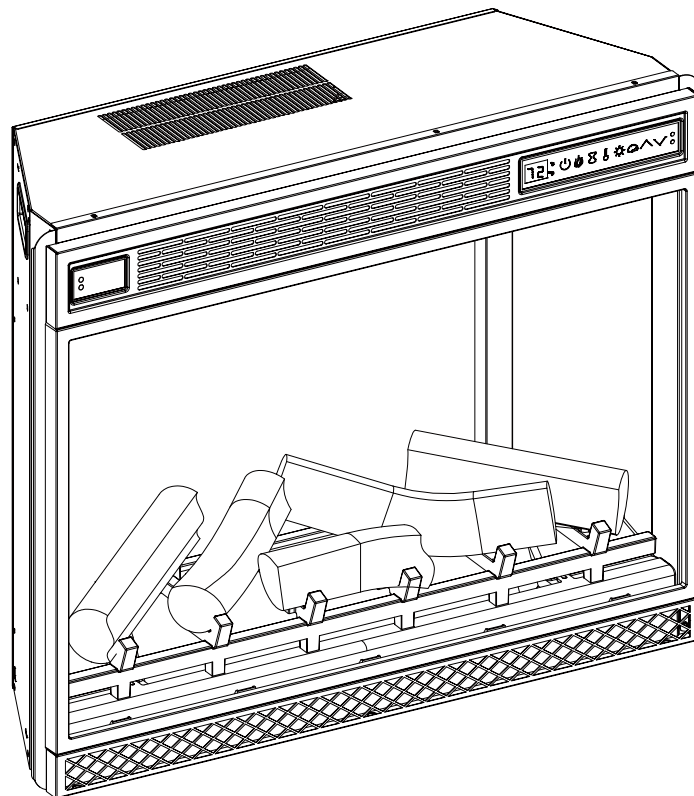
A TWIN-STAR INTERNATIONAL BRAND

MODELS/ MODELOS/ MODÈLES :

**23II042FGL, 23II042FSL, 26II042FGL, 26II042FSL, 28II042FGL, 28II042FSL
32II042FGL, 32II042FSL, 33II042FGL, 33II042FSL, 42II042FGL, 42II042FSL**

Español P.11

Français P.20



www.tsicustomerservice.com



1-866-661-1218



Twin-Star International, Inc; Delray Beach, FL 33445
Made in China • Hecho en China • Fabriqué en China

IMPORTANT INSTRUCTIONS

When using electrical appliances, basic precautions should always be followed to reduce the risk of fire, electrical shock, and injury to persons including the following:

1. Read all instructions before using this appliance.
2. DANGER – High temperatures may be generated under certain abnormal conditions. Do not partially or fully cover or obstruct the front of this heater. WARNING: In order to avoid overheating, do not cover the heater.
3. CAUTION: Never leave the heater operating unattended. Extreme caution is necessary if unsupervised children or invalids are nearby.
4. The appliance is not to be used by children or persons with reduced physical, sensory or mental capabilities, or lack of experience and knowledge, unless they have been given supervision or instruction.
5. Always unplug this appliance when not in use.
6. Do not operate any heater with a damaged cord or plug or after the appliance malfunctions, or if it has been dropped or damaged in any manner.
7. If the supply cord is damaged, it must be replaced by the manufacturer, its service agent or similarly qualified persons in order to avoid a hazard.
8. Do not use outdoors.
9. This heater is not intended for use in bathrooms, laundry areas and similar indoor locations. Never locate this appliance where it may fall into a bathtub or other water container.
10. Do not run cord under carpeting. Do not cover cord with throw rugs, runners or the like. Arrange cord away from traffic areas and where it will not be tripped over.
11. To disconnect this appliance, turn controls to the off position, then remove plug from outlet.
12. Connect to properly grounded outlets only. This heater is for use on 120 volts. The cord has a plug as shown at A in Fig.1 Do not use a 2 prong adapters. Never use with an extension cord or relocatable power tap (outlet/power strip).

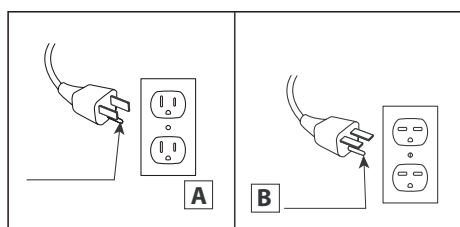


Fig.1

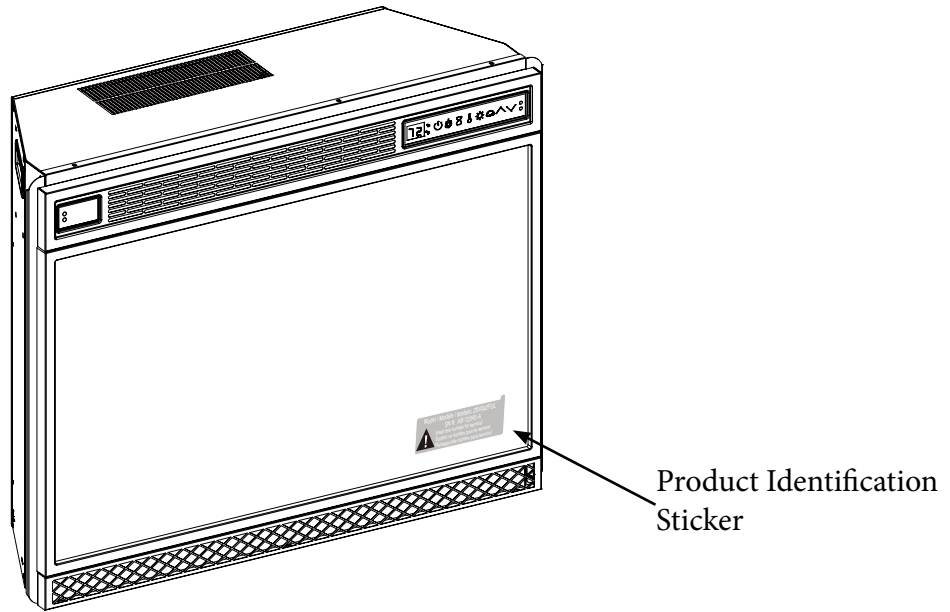


13. This appliance, when installed, must be electrically grounded in accordance with local codes or, in the absence of local codes, with the current CSA C22.1 Canadian Electrical Code or for U.S.A. installations, follow local codes and the National Electrical Code, ANSI/NFPA NO.70.
14. Do not insert or allow foreign objects to enter any ventilation or exhaust opening as this may cause an electric shock or fire, or damage the appliance.
15. To prevent a possible fire, do not block air intakes or exhaust in any manner. Do not use on soft surfaces, like a bed, where opening may become blocked.
16. This appliance has hot and arcing or sparking parts inside. Do not use it in areas where gasoline, paint or flammable liquids are used or stored. This fireplace should not be used as a drying rack for clothing. Christmas stockings or decorations should not be hung in the area of it.
17. Use this appliance only as described in the manual. Any other use not recommended by the manufacturer may cause fire, electric shock or injury to persons.
18. This heater may include a visual alarm to warn that parts of the heater are getting excessively hot. If the alarm flashes immediately turn the heater off and inspect for any objects on or adjacent to the heater that may cause high temperatures.
DO NOT OPERATE THE HEATER WITH THE ALARM FLASHING!

SAVE THESE INSTRUCTIONS

GETTING STARTED

1. Remove the product identification sticker from the front of the insert.



2. Attach the Product Identification Sticker to the Manual below for future reference. This information is used for product registration and also is necessary for customer service.

Attach Product Identification Sticker Here

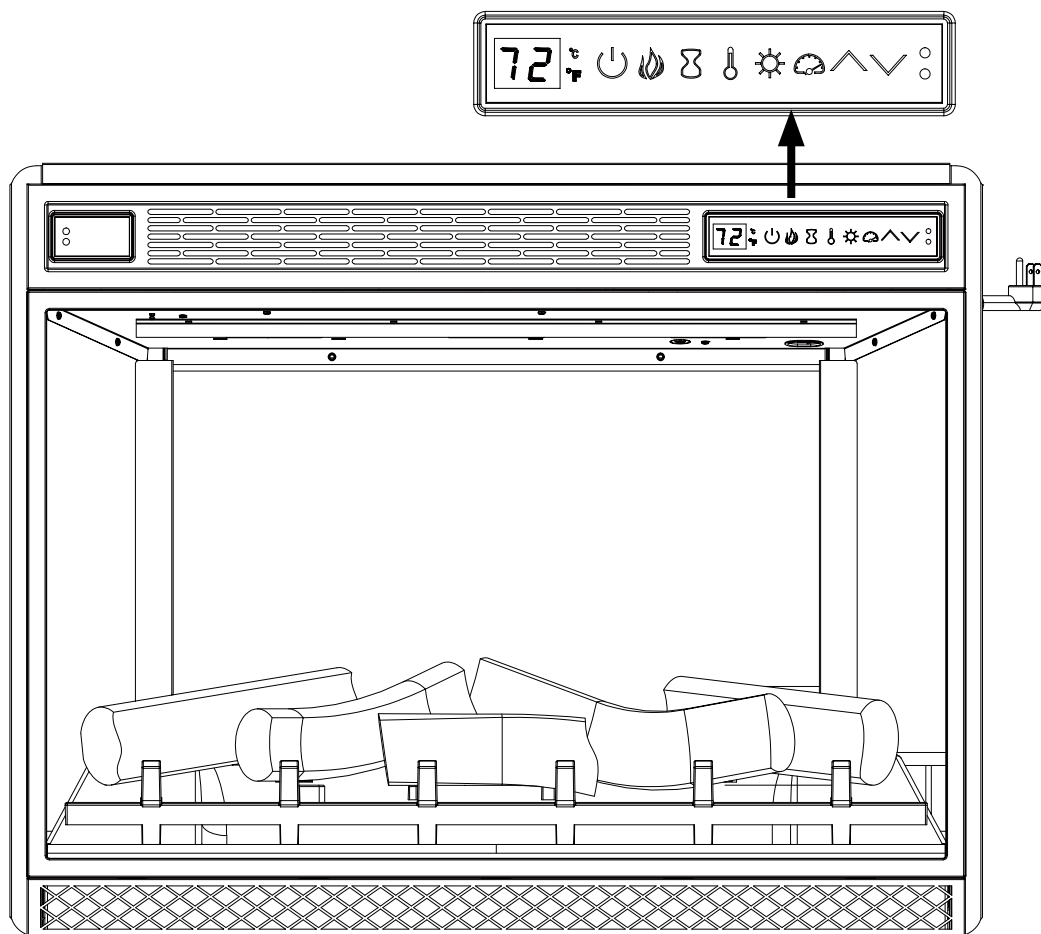


3. Go to www.tsicustomerservice.com for product warranty registration. If you are unable to complete registration save your proof of purchase for warranty purposes.

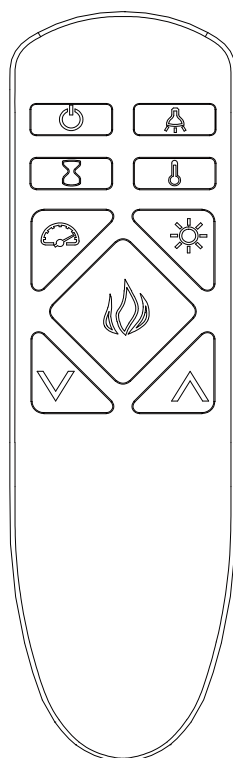
PRODUCT SPECIFICATIONS

VOLTAGE	120VAC, 60 Hz
AMPS	12.5 Amps
WATTS	1500 Watts







OPERATION INSTRUCTIONS



The heater can be operated by either the remote control or the control panel.



OPERATION INSTRUCTIONS

FUNCTION	ICON	DESCRIPTION
FLAME		<p>There are 5 unique 3D flame colors that can be selected.</p> <ul style="list-style-type: none"> 1: Spectrafire 2: Sapphire 3: Amethyst 4: Campfire 5: Midnight Fire <p>AU: Auto Cycle which will automatically fade in and fade out a new color flame effect periodically.</p> <p>After 3 seconds without control input, the display will exit the LED cabinet light setting and show the fireplace flame setting.</p>
HEATER		<p>The fireplace contains three infrared quartz heating elements.</p> <p>The thermostat setting range is 62°F - 82°F or 17°C - 27°C or continuously ON or OFF (00).</p> <p>The thermostat is adjustable by 2°F or 1°C increments.</p> <p>The up and down buttons “^v” will increase / decrease temperature setting.</p> <p>To change between °F and °C press and hold the HEATER button on the control panel for 3 seconds.</p>
TIMER		<p>Pressing the timer button will cycle through the timer settings; 30 minutes, 1 Hour, 2H, 3H, 4H, 5H, 6H, 7H, 8H, 9H and OFF (00).</p>
FLAME SPEED		<p>Each 3D flame color option has speed options available.</p> <p>Setting S1 is slowest ranging up to setting S5 which is the fastest.</p>
FLAME INTENSITY		<p>Each 3D flame color option has 5 intensity options available.</p>
LIGHT		<p>Pressing the light button on the remote control will cycle the LED cabinet lights through the different brightness settings; 1, 2, 3, 4 and OFF. Settings 1-4 will decrease the LED brightness.</p>

OPERATION INSTRUCTIONS

SAFER PLUG



This product is equipped with a safer Plug; an advanced safety device that helps detect electrical fires caused from faulty outlets.

Overloading of outlet, adapters and surge protectors may cause overheating, damage, and increase risk of fires. Safer Plug continuously monitors the temperature in the plug and outlet and will turn off the heater to prevent unsafe outlet overheating.

If the Safer Plug cuts the power due to unsafe conditions it will show an “E5” message on the screen. If this occurs the Safer Plug has prevented a potentially unsafe condition.

To reset the device if this occurs, first allow the plug to cool down. Once the plug has cooled down, unplug the device and wait 5 seconds, then plug back in and continue to use normally.

If the Safer Plug continues to activate your outlet may be faulty. Check your heater cord and plug connections. Faulty wall outlet connections or loose plugs can cause the outlet or plug to overheat. Be sure the plug fits tight in the outlet. Heaters draw more current than small appliances, overheating of the outlet may occur even if it has not occurred with the use of other appliances. During use check frequently to determine if your plug outlet or faceplate is HOT! If so, discontinue use of the heater and have a qualified electrician check and/or replace the faulty outlet(s).

SAFER SENSOR



This product is equipped with a Safer Sensor; an advanced safety device that helps prevent heaters from being accidentally covered or blocked causing a potentially unsafe condition.

The SAFER SENSOR detects if an object is too close to the front of the heater potentially obstructing the air outlet. If blocked, the control panel will flash “E5” icon and the heater will be turned off. Once the object has been moved and after user presses the power button, “E5” will disappear and the unit will be back on the previous setting with the heat on.

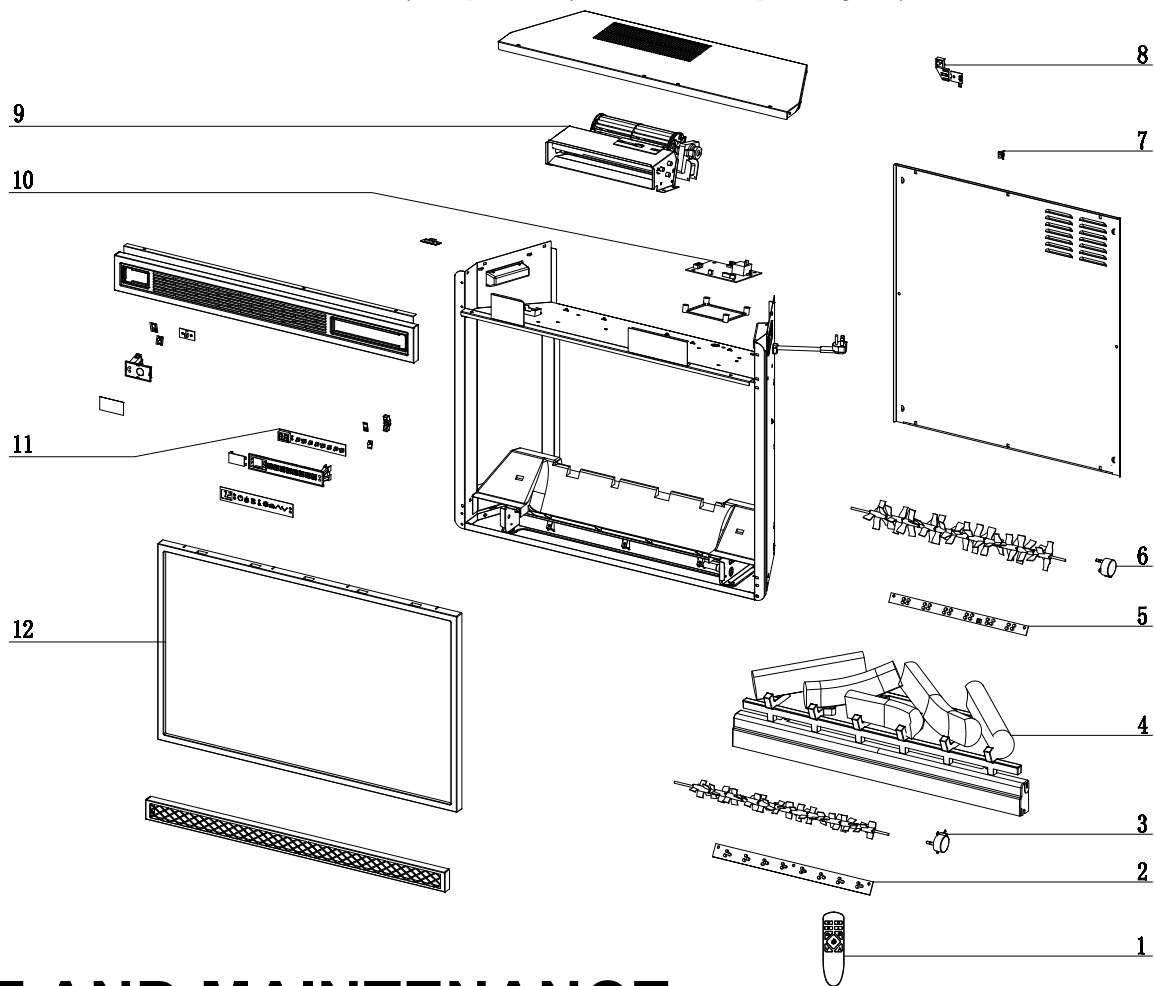
TROUBLESHOOTING

Problem	Root Cause	Corrective Action
Display shows “ E 1 ”	The thermostat sensor is broken or disconnected.	Unplug the fireplace, remove the back panel of the fireplace and check that the thermostat is plugged into the main circuit board. If this does not solve the problem contact customer service for a replacement thermostat sensor.
Display shows “ E 2 ”	The thermostat sensor is broken.	Contact customer service for a replacement thermostat sensor.
Display shows “ E 3 ”	Manual Reset overheat protection has triggered.	Inspect the heater and check that the air inlets and outlets are not blocked as this may cause overheating. Unplug the heater for 30 minutes and allow it to cool down. Replug and operate, monitor the heater for signs of overheating, if the problem persist discontinue use of the heater and contact customer service.
Display shows “ E 4 ”	Normal operation.	Check your heater cord and plug connections. Faulty wall outlet connections or loose plugs can cause the outlet or plug to overheat. Be sure the plug fits tight in the outlet. Heaters draw more current than small appliances, overheating of the outlet may occur even if it has not occurred with the use of other appliances. During use check frequently to determine if your plug outlet or faceplate is HOT! If so, discontinue use of the heater and have a qualified electrician check and/or replace the faulty outlet(s).
Display shows “ E 5 ”	The heater air outlet is blocked.	Verify there is a 3 foot clear space in front of the heater air outlet.
Heater does not blow warm air.	Cool down cycle.	Normal operation, will continue to run for several minutes before shutting down. Times will vary based on temperatures. During this time cool air will blow.
No power, logs do not glow.	No power to the unit	Check that unit is plugged into a standard 120V outlet. Press power button several times, make sure power is set at “ON” position.
Logs glow, but no flame effect.	Flame effect turned off	Press flame button several times.
Heater does not blow warm air.	Thermostat setting is preventing heater from turning on.	Adjust the temperature settings to ensure that the thermostat is set higher than the current room temperature.
Flame effect works but heater function does not and the embered flashes when the heater button is pressed.	The heater is disabled.	With the power on press and hold the POWER button on the control panel for 10 seconds. Once re-enabled the embered lights will flash multiple times.
Remote Control is not working.	No batteries	Change the remote batteries.
	Poor Signal	Operate remote transmitter at a slow measured pace. Press the remote control buttons with an even motion and gentle pressure. Repeatedly pressing buttons in rapid succession may cause the transmitter to malfunction.
	Distance	Operate the remote at a distance less than 20 feet from the front of the appliance; point the remote at the control panel.

REPLACEMENT PARTS

Part	Part Name
1	Remote Control
2	Front Flame Circuit Board
3	Front Flame Generator Drive Motor
4	Logset Assembly
5	Back Flame Circuit Board
6	Back Flame Generator Drive Motor
7	DC-Jack
8	Thermostat Sensor
9	Blower/ Heater assembly
10	Main Circuit Board
11	Control Panel Circuit Board
12	Front Panel with Frame

Note, the scale and size of your parts may be different depending on your exact model.



CARE AND MAINTENANCE

- The motors used on the fan and the flame generator assembly are pre-lubricated for extended bearing life and require no further lubrication. However, we recommend periodic cleaning/vacuuming of the fan/heater.
- Clean the trim using a soft cloth, slightly dampened with citrus oil based product and buff with a clean soft cloth. DO NOT use brass polish or household cleaners as these products will damage the metal trim. Citrus oil based products can be obtained at supermarkets or hardware stores.
- Make sure the unit is turned OFF and unplugged before cleaning the heater or fireplace.

FCC/IC INFORMATION

Warning: Changes or modifications to this unit not expressly approved by the party responsible for compliance could void user's authority to operate the equipment.

NOTE: This equipment has been tested and found to comply with the limits for Class B digital device, pursuant to part 15 of the FCC Rules. These limits are designed to provide reasonable protection against harmful interference in a residential installation. This equipment generates, uses, and can radiate radio frequency energy and, if not installed and used in accordance with the instructions, may cause harmful interference to radio communications.

However, there is no guarantee that interference will not occur in a particular installation. If this equipment does cause harmful interference to radio or television reception, which can be determined by turning the equipment off and on, the user is encouraged to try to correct the interference by one or more of the following measures:

- Reorient or relocate the receiving antenna.
- Increase the separation between the equipment and the receiver.
- Connect the equipment into an outlet on a circuit different from that to which the receiver is connected.
- Consult the dealer or an experienced radio/TV technician for help.

This device complies with Part 15 of the FCC Rules. Operation is subject to the following two conditions:

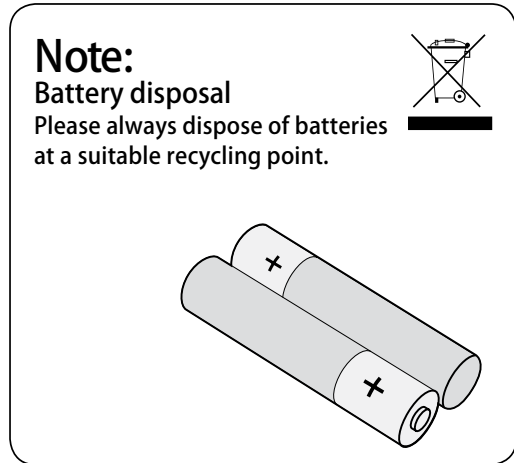
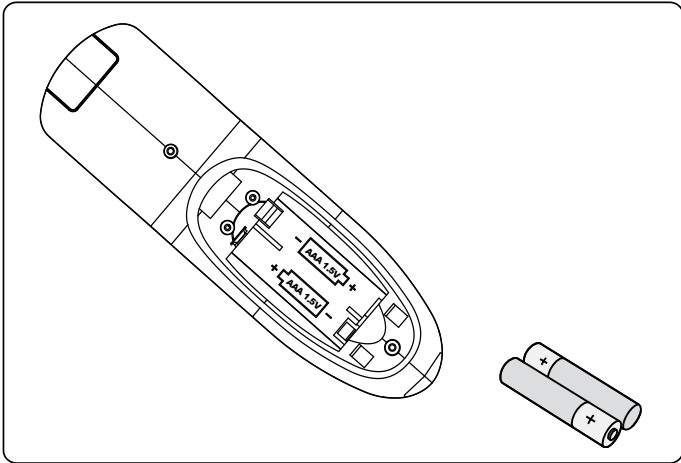
- (1) This device may not cause harmful interference, and
- (2) this device must accept any interference received, including interference that may cause undesired operation.

This Class B digital apparatus complies with Canadian ICES-003.

BATTERY REPLACEMENT

NOTE: Do not mix old and new batteries.

Do not mix alkaline, standard (carbon zinc), or rechargeable (nicad, ni-mh, etc.) batteries.



CAUTION:

- Do not ingest batteries.
 - Non-rechargeable batteries are not to be recharged.
 - Batteries are to be inserted with the correct polarity.
 - Exhausted batteries are to be removed from the product.
-
- Always purchase the correct size and grade of battery most suitable for the intended use.
 - Replace all batteries of a set at the same time.
 - Clean the battery contacts and also those of the device prior to battery installation.
 - Remove used batteries promptly.

1-YEAR LIMITED WARRANTY

The manufacturer warrants that your new Electric Fireplace is free from manufacturing and material defects for a period of one year from date of purchase, subject to the following conditions and limitations.

1. Install and operate this appliance in accordance with the installation and operating instructions furnished with the product at all times. Any unauthorized repair, alteration, willful abuse, accident, or misuse of the product shall nullify this warranty.
2. This warranty is non-transferable, and is made to the original owner, provided that the purchase was made through an authorized supplier of the product.
3. The warranty is limited to the repair or replacement of part(s) found to be defective in material or workmanship, provided that such part(s) have been subjected to normal conditions of use and service, after said defect is confirmed by the manufacturer's inspection.
4. The manufacturer may, at its discretion, fully discharge all obligations with respect to this warranty by refunding the wholesale price of the defective part(s).
5. Any installation, labor, construction, transportation, or other related costs/expenses arising from defective part(s), repair, replacement, or otherwise of same, will not be covered by this warranty, nor shall the manufacturer assume responsibility for same.
6. The owner/user assumes all other risks, if any, including the risk of any direct, indirect or consequential loss or damage arising out of the use, or inability to use the product, except as provided by law.
7. All other warranties – expressed or implied – with respect to the product, its components and accessories, or any obligations/liabilities on the part of the manufacturer are hereby expressly excluded.
8. The manufacturer neither assumes, nor authorizes any third party to assume on its behalf, any other liabilities with respect to the sale of the product.
9. The warranties as outlined within this document do not apply to non accessories used in conjunction with the installation of this product.
10. This warranty gives you specific legal rights, and you may also have other rights which vary from state to state.

This warranty is void if:

- a. The fireplace is subjected to prolonged periods of dampness or condensation.
- b. Any unauthorized alteration, willful abuse, accident, or misuse of the product.
- c. You do not have the original receipt of purchase.

CUSTOMER SERVICE

www.tsicustomerservice.com

For Customer Service Call 1-866-661-1218

Questions? Our message centers are available 7 days a week 24 hours a day at our toll-free help line. Our Consumer Service department is available Monday – Friday 8:30 am – 5:30 pm EST. We can help you with assembly and if necessary, replace damaged/missing parts.

IMPORTANT:

Before contacting Customer Service please have this information available:

- Serial Number
- Model Number
- Sales Receipt or Proof of Purchase

INSTRUCCIONES IMPORTANTE

Cuando utilice electrodomésticos, siempre tome medidas de precaución básicas para evitar incendios, descargas eléctricas y lesiones personales. Entre ellas:

1. Lea todas las instrucciones antes de usar este electrodoméstico.
2. PELIGRO – Es posible que altas temperaturas se pueden generar bajo ciertas condiciones anormales. No cubra parcialmente o totalmente ni obstruya la parte delantera de este calentador. ADVERTENCIA: Para evitar el sobrecalentamiento, no cubra el calentador.
3. PRECAUCIÓN: Nunca deje el calentador operando de forma desatendida. Extremo cuidado es necesario si hay niños o personas discapacitadas sin supervisión cerca.
4. Este electrodoméstico no debe ser usado por personas o niños con capacidades físicas, sensoriales o mentales reducidas o sin experiencia ni conocimientos, a menos que una persona responsable de su seguridad les brinde supervisión o capacitación respecto al uso del electrodoméstico.
5. Siempre desenchufe este electrodoméstico cuando no lo use.
6. No opere ningún calentador con un cable o enchufe dañados, después de fallas del mismo, de que se haya dejado caer o dañado de cualquier forma.
7. Si el cable de alimentación está dañado, el fabricante, su empresa de servicio o alguien de calificación similar deben reemplazarlo para evitar peligros.
8. No lo use en exteriores.
9. Este calentador no se debe usar en el baño, lavadero y en espacios húmedos similares interiores. Nunca coloque este calentador donde se pueda caer dentro de una bañera u otro contenedor de agua.
10. No coloque el cable debajo de una alfombra. No cubra el cable con alfombras, tapetes o similares. Coloque el cable lejos de zonas de tránsito en donde nadie se pueda tropezar y caer.
11. Para desconectar este electrodoméstico, gire los controles a la posición de apagado y luego retire el enchufe del tomacorriente.
12. Conectar solamente a una toma de corriente con conexión a tierra adecuada. Este calentador debe utilizarse con 120 voltios. El cable incluye un enchufe tal como se muestra en la figura A en la Fig.1. No utilice un adaptador de 2 clavijas. Nunca use un cable de extensión o tomas de alimentación reubicable (enchufes/ regletas).

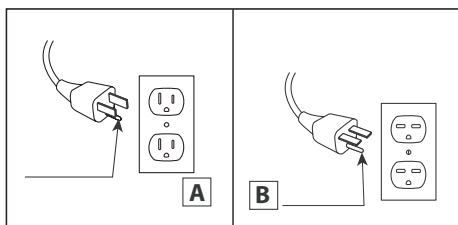
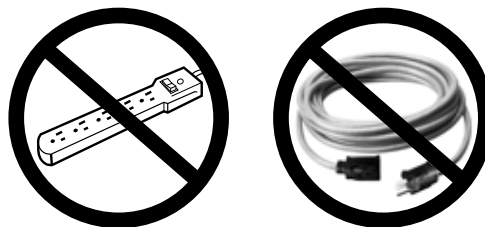


Fig.1

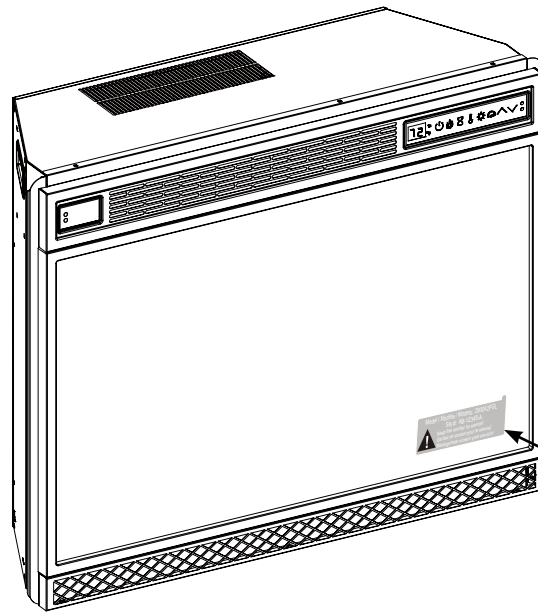


13. Cuando está instalado, este artefacto debe presentar una conexión eléctrica a tierra según los códigos locales, según los Códigos de Electricidad de Canadá CSA C22.1 o, para instalaciones en EE.UU., siga los códigos locales y el código nacional de electricidad, ANSI/ NFPA No. 70.
14. No introduzca objetos extraños ni permita que entren en las aberturas de ventilación o escape, ya que pueden provocar descargas eléctricas, incendios o daños en el electrodoméstico.
15. Para evitar incendios, no bloquee las entradas ni salidas de aire de ninguna manera. No use sobre superficies blandas, como una cama, donde las aberturas se puedan bloquear.
16. Este electrodoméstico tiene en su interior piezas calientes y piezas que forman arcos eléctricos o que echan chispas. No lo use en áreas donde se use o almacene gasolina, pintura o líquidos inflamables. Esta chimenea no se debe usar como una rejilla para secar ropa. No cuelgue medias navideñas u otras decoraciones sobre o cerca de este producto.
17. Utilice este electrodoméstico sólo como se describe en este manual. Cualquier otro uso no recomendado por el fabricante puede causar incendios, descargas eléctricas o lesiones personales.
18. El radiador puede incluir una alarma visual para advertir que las partes del radiador se están sobrecalentando. Si la alarma comienza a brillar, desconecte inmediatamente el radiador y revise los objetos sobre éste o adyacentes al radiador que puedan causar el sobrecalentamiento. ¡NO OPERE EL RADIADOR CON LA ALARMA CUANDO ESTÉ BRILLANDO!

GUARDE ESTAS INSTRUCCIONES

PARA EMPEZAR

1. Retirar la etiqueta de identificación del producto de la parte delantera del inserto.



Etiqueta de Identificación del Producto

2. Colocar la etiqueta de identificación del producto en el Manual más abajo para una referencia futura. Esta información se utiliza para registrar el producto y también es necesaria para el servicio de atención al cliente.

Colocar aquí la etiqueta de identificación del producto

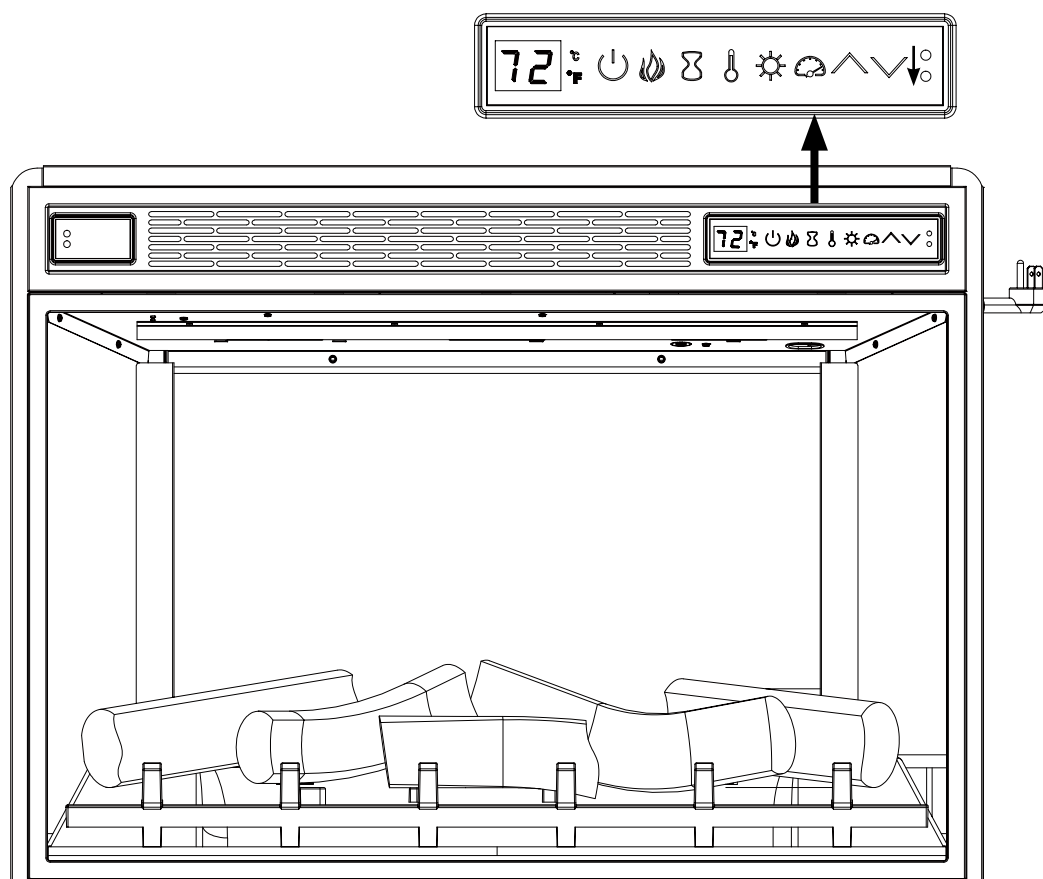


3. Visitar www.tsicustomerservice.com para el registro de la garantía del producto. Si usted no puede completar el registro guarde el comprobante de compra para hacer válida la garantía.

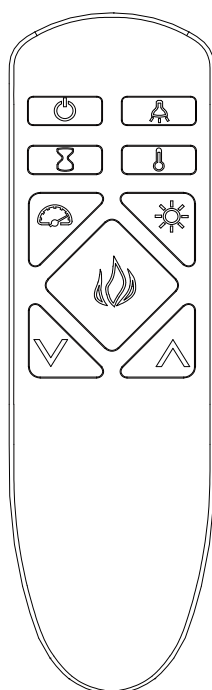
ESPECIFICACIONES ELÉCTRICAS

Tensión	120VAC, 60 Hz
Amperios	12.5 A
Potencia	1500 W



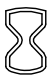



INSTRUCCIONES DE OPERACIÓN



El calentador puede ser operado por el control remoto o el panel de control.



INSTRUCCIONES DE OPERACIÓN

FUNCIÓN	ICONO	DESCRIPCIÓN
LLAMA		<p>Hay 5 únicos color de llama 3D que se pueden seleccionar.</p> <ol style="list-style-type: none">1: Spectrafire2: Zafiro3: Amatista4: Hoguera5: Fuego de Medianoche <p>AU: Ciclo automático que cambiará automáticamente por otro nuevo efecto de la llama de color periódicamente.</p> <p>Después de 3 segundos sin entrada de control, la pantalla saldrá del ajuste de luz LED del gabinete y mostrará los ajustes de la llama de la chimenea.</p>
CALENTADOR		<p>La chimenea contiene tres elementos de calefacción de cuarzo infrarrojos.</p> <p>El rango de ajuste del termostato es de 62°F - 82°F o 17°C - 27°C o continuamente encendido o APAGADO (00) .</p> <p>El termostato es ajustable en incrementos por 2°F o 1°C.</p> <p>El botones de arriba y abajo " ^ v " aumentarán / decaese ajuste de temperatura.</p> <p>Para cambiar entre °F y °C mantenga pulsado el botón del CALENTADOR en el panel de control durante 3 segundos.</p>
TEMPORIZADOR		<p>Al presionar el botón del temporizador, hará un ciclo a través de la configuración del temporizador; 30 minutos, 1 hora, 2H, 3H, 4H, 5H, 6H, 7H, 8H, 9H y apagado (00).</p>
VELOCIDAD DE LLAMA		<p>Cada opción de color de la llama 3D tiene opciones de velocidad disponibles.</p> <p>El ajuste S1 es el más lento que varía hasta el ajuste de S5, que es la más rápido.</p>
INTENSIDAD DE LLAMA		<p>Cada opción de color de la llama 3D tiene 5 opciones de intensidad disponibles.</p>
LIGERO		<p>Al pulsar el botón de luz en el control remoto cambiará las luces LED del gabinete a través de los diferentes ajustes de brillo; 1, 2, 3, 4 y APAGADO. Las configuraciones 1 a 4 disminuirán el brillo de la luz LED.</p>

INSTRUCCIONES DE OPERACIÓN

ENCHUFE MÁS SEGURO



Este producto está equipado con un enchufe más seguro; un dispositivo de seguridad avanzada que ayuda a detectar los incendios eléctricos causado de los tomacorrientes defectuosos

La sobrecarga del tomacorriente, adaptadores y protectores de sobretensión puede causar sobrecalentamiento, daños, y aumentar el riesgo de incendios. El enchufe más seguro monitoriza continuamente la temperatura en el enchufe y el tomacorriente y se apagará el calentador para evitar el sobrecalentamiento del tomacorriente inseguro.

Si enchufe más seguro interrumpe la alimentación debido a las condiciones inseguras se mostrará una mensaje “E-” en la pantalla. Si esto ocurre, el enchufe más seguro ha impedido una condición potencialmente insegura.

Para reiniciar el dispositivo si esto ocurre, deje que el enchufe se enfríe. Una vez que el enchufe se haya enfriado, desconecte el dispositivo y espere 5 segundos, luego conecte de nuevo y continuar utilizando normalmente.

Si el enchufe más seguro continúa para activar el tomacorriente puede estar defectuoso. Compruebe que su cable de calefactor y las conexiones de enchufe. Los tomacorrientes de pared defectuosos o los enchufes flojos pueden hacer que el tomacorriente o enchufe a sobrecalentarse. Asegúrese de que el enchufe ajusta apretado en el tomacorriente. Calentadores consumen más corriente que los pequeños electrodomésticos, el recalentamiento del tomacorriente puede ocurrir incluso si no ha ocurrido con el uso de otros aparatos. ¡Durante el uso compruebe con frecuencia para determinar si el tomacorriente de enchufe y placa frontal está CALIENTE ! Si es así, deje de utilizar el calentador y tienen un cheque electricista calificado y / o reemplazar el tomacorriente (s) defectuoso.

SENSOR MÁS SEGURO



Este producto está equipado con un Sensor más seguro; un dispositivo de seguridad avanzada que ayuda a evitar que los calentadores de ser cubiertas o bloqueadas causando una condición potencialmente insegura accidentalmente.

El SENSOR MÁS SEGURO detecta si un objeto está demasiado cerca de la parte frontal del calentador que es obstructivo potencialmente del tomacorriente de aire. Si está bloqueado, el panel de control parpadeará el icono “E5” y el calentador se apagará. Una vez que el objeto se ha movido y después el usuario presiona el botón de encendido, “E5” desaparecerá y la unidad estará de nuevo en el ajuste anterior con la calefacción.

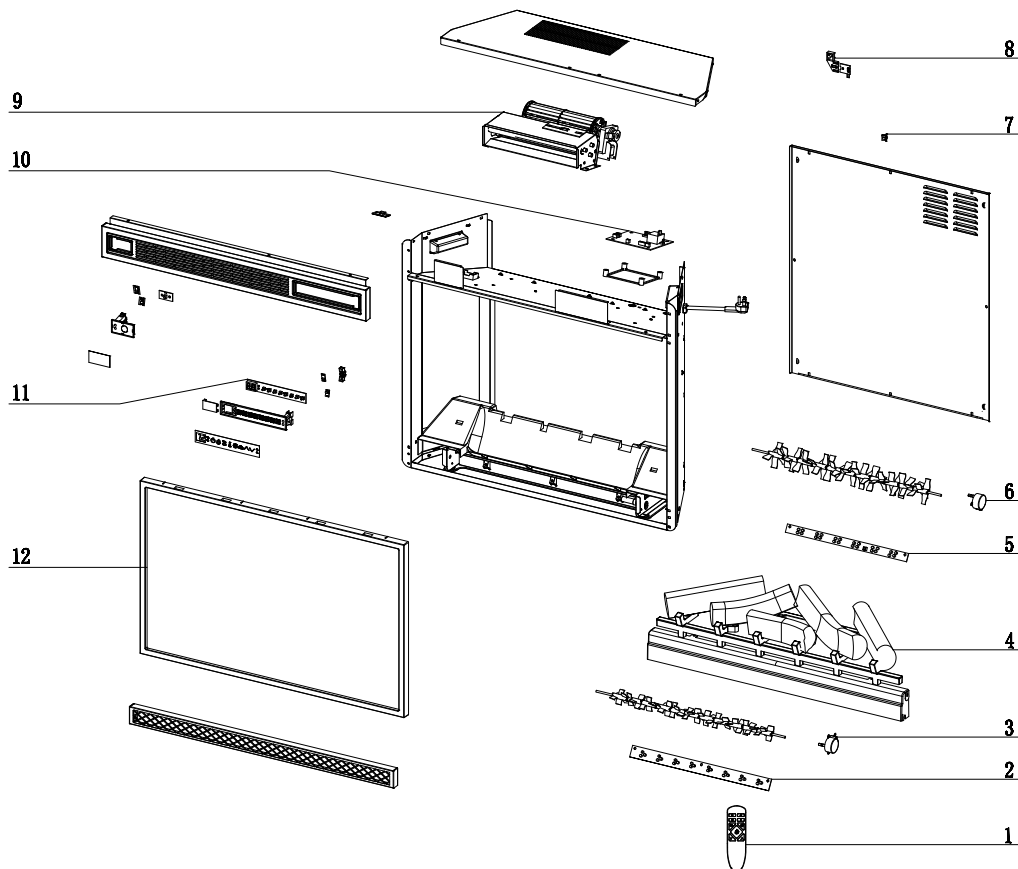
SOLUCIÓN DE PROBLEMAS

Problema	Origen de la causa	Medidas correctivas
La pantalla muestra “ E 1 ”.	El sensor del termostato está dañado o desconectado.	Desenchufe la chimenea, quite el panel posterior de la chimenea y revise que el termostato esté conectado a la placa del circuito principal. Si esto no resuelve el problema, comuníquese con atención al cliente para obtener un remplazo del sensor del termostato.
La pantalla muestra “ E 2 ”.	El sensor del termostato está dañado.	Comuníquese con atención al cliente para el remplazo del sensor del termostato.
La pantalla muestra “ E 3 ”.	El restablecimiento manual de protección contra el sobrecalentamiento se ha activado.	Inspeccione el calentador y verifique que las entradas y salidas de aire no estén bloqueadas, pues pueden causar sobrecalentamiento. Desenchufe el calentador durante 30 minutos y deje enfriar. Vuelva a enchufar y a operar, y supervise el calentador para detectar signos de sobrecalentamiento, y si el problema persiste, interrumpa el uso del calentador y comuníquese con atención al cliente.
La pantalla muestra “ E 4 ”.	Poder sobrecalentamiento cable protección se ha activado.	Compruebe que el cable del calentador y las conexiones del enchufe. Conexiones de tomas de corriente defectuosas o enchufes sueltos pueden hacer que la toma de corriente o el enchufe se recaliente. Asegúrese de que el enchufe queda ajustado a la toma de corriente. Los calentadores consumen más corriente que los pequeños electrodomésticos, el recalentamiento de la toma de corriente puede ocurrir incluso si no se ha producido con el uso de otros aparatos. Durante el uso, compruebe con frecuencia para determinar si su enchufe o la placa frontal está CALIENTE! Si es así, deje de utilizar el calentador y contacte con un electricista cualificado para que compruebe o reemplace los enchufe(s) defectuosos.
La pantalla muestra “ E 5 ”.	La salida de aire del calentador está tapada.	Compruebe que haya un espacio claro de 3 pies en frente de la salida de aire del calentador.
El calentador no sopla aire caliente.	Ciclo de enfriamiento.	Esto es una operación normal, el ventilador continuará funcionando durante menos de un minuto para enfriar los componentes internos. Periodos pueden variar dependiendo de la temperatura. Durante este tiempo, el aire frío se fundirá.
Sin corriente, los registros no brillan.	No hay corriente en la unidad.	Compruebe que la unidad esté enchufada a una toma de corriente estándar de 120V. Presione el botón de encendido varias veces, y asegúrese de que la energía este fijada en la posición de “ENCENDIDO”.
Los registros brillan, pero no tienen efecto de llama.	El efecto de llama está apagado.	Pulse el botón de llama varias veces.
El calentador no sopla aire caliente.	El ajuste del termostato está evitando que el calentador se encienda.	Ajuste la configuración de la temperatura para asegurar que el termostato está fijado por encima de la temperatura actual de la habitación.
El efecto de llama funciona, pero la función del calentador no funciona y el peldaño parpadea cuando el botón del calentador está presionado.	El calentador está desactivado.	Con la corriente encendida, presione y mantenga pulsado el botón de encendido en el panel de control durante 10 segundos. Una vez que lo vuelve a habilitar, las luces del peldaño destellarán varias veces.
El control remoto no funciona.	No hay pilas	Cambie las pilas del control remoto.
	Mala Señal.	Opere el transmisor remoto a una velocidad más lenta. Pulse los botones del control remoto con una moción uniforme y presión suave. Pulsar los botones en una sucesión rápida y de forma repetida puede causar que el transmisor mal funcione.
	Distancia.	Operar el control remoto a una distancia inferior a 20 pies desde la parte delantera del aparato; apunte el control remoto al panel de control.

REPUESTOS

Pieza	Nombre de la pieza
1	Control Remoto
2	Llama La Tarjeta De Circuitos Frontal
3	Frente De Llama Generador De Accionamiento Del Motor
4	Tronco Incrustado
5	Copias De La Tarjeta De Circuitos De La Llama
6	Una Copia De La Llama Generador De Accionamiento Del Motor
7	DC Jack
8	Sensor del Termostato
9	Soplador / Unión De La Resistencia
10	Placa De Circuito Principal
11	Placa De Circuito Panel De Control
12	Panel Frontal Con Marco

Tome en cuenta que la escala y el tamaño de sus partes pueden ser diferentes dependiendo de su modelo exacto.



CUIDADO Y MANTENIMIENTO

- Los motores usados en el ventilador y el conjunto generador de flamas vienen lubricados previamente para prolongar la vida útil de los rodamientos y no necesitan otra lubricación. Sin embargo, recomendamos la limpieza/aspirado periódico del ventilador/calentador.
- Limpiar el reborde usando un trapo suave, ligeramente humedecido con un producto basado en aceite de limón y frotar con un trapo suave limpio. NO usar pulimento de metales ni limpiadores domésticos ya que estos productos dañarán el re-borde metálico. Los productos basados en aceite de limón se pueden conseguir en supermercados o ferreterías.
- Asegúrese de que la unidad esté apagada y desenchufada siempre que limpie el calentador o chimenea.

INFORMACIÓN DE FCC/IC

Advertencia: Los cambios o modificaciones en esta unidad, que no sean aprobados directamente por la parte responsable del cumplimiento, podría anular el derecho de operar el equipo por parte del usuario.

NOTA: Este equipo ha sido probado y cumple con los límites especificados para dispositivos digitales de Clase B, conforme a la parte 15 de las Normas de la FCC. Estos límites están diseñados para proporcionar una protección razonable contra las interferencias que sean perjudiciales en una instalación residencial. Este equipo genera, utiliza y puede irradiar energía de radiofrecuencia y, si no se instala y no se utiliza de acuerdo con las instrucciones, puede causar interferencias perjudiciales en las comunicaciones de radio.

Sin embargo, no hay garantía de que no se produzcan interferencias en una instalación en particular. Si este equipo causa interferencias perjudiciales en la recepción de radio o televisión, lo cual puede ser determinado cuando se apaga y enciende este aparato, se recomienda al usuario que intente corregir la interferencia con alguna(s) de las siguientes medidas.

- Reorientar o reubicar la antena de recepción.
- Aumentar la separación entre el equipo y el receptor.
- Conectar el equipo a un tomacorriente de un circuito distinto al que usa el receptor.
- Solicitar ayuda al concesionario o a un técnico con experiencia en radio/TV.

Este dispositivo cumple con la sección 15 de las reglas de la FCC. El funcionamiento está sujeto a las siguientes dos condiciones:

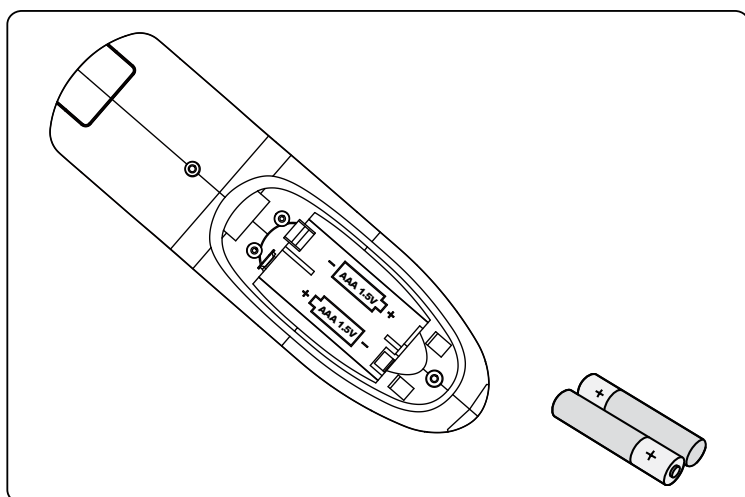
- (1) este dispositivo no debe causar interferencia perjudicial, y
- (2) este dispositivo deberá aceptar cualquier interferencia recibida, incluida la interferencia que pudiese causar la operación no deseada.

Este instrumento digital clase B cumple con el ICES-003 de Canadá.

REEMPLAZO DE BATERÍA

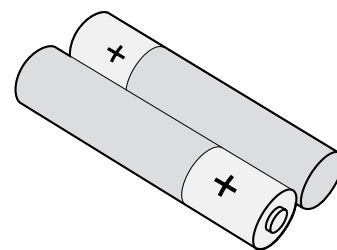
Nota: No mezclar baterías viejas con nuevas.

No mezclar baterías alcalinas, baterías recargables (de Ni-Cd, Ni-MH, etc.) y baterías estándar (de zinc-carbono).



Nota:

Eliminación de batería
Siempre deseche las baterías
en un punto adecuado de reciclaje.



PRECAUCIÓN:

- Precaución por ingestión.
- Las pilas no recargables no deben ser recargadas.
- Las baterías deben ser insertadas con la polaridad correcta.
- Las baterías agotadas deben ser retiradas del producto.

- Siempre compre las pilas de tamaño y grado correctos para este uso.
- Reemplace todas las pilas de un set al mismo tiempo.
- Limpie los contactos de las pilas y los del aparato antes de colocar las pilas.
- Retire las pilas usadas de inmediato.

GARANTÍA LIMITADA DE 1 AÑO

El fabricante garantiza que su nueva estufa eléctrica no presentará defectos de fabricación ni materiales durante un período de un año a partir de la fecha de compra, siempre y cuando se cumplan las siguientes condiciones y limitaciones.

1. Esta estufa eléctrica se debe instalar y operar en todo momento de acuerdo con las instrucciones de instalación y operación proporcionadas con el producto. Cualquier reparación no autorizada, alteración, abuso deliberado, accidente o uso inadecuado del producto anulará esta garantía.
2. Esta garantía no es transferible y sólo está disponible para el propietario original, siempre y cuando la compra se haya realizado a través de un proveedor autorizado del producto.
3. Esta garantía se limita a la reparación o reemplazo de piezas que se consideren defectuosas en material o mano de obra, siempre y cuando dicha pieza haya estado sometida a condiciones normales de uso y servicio, después de que una inspección por parte del fabricante confirme dicho defecto.
4. El fabricante podrá, bajo su criterio, eximirse de toda obligación respecto de esta garantía reembolsando el precio al por mayor de la pieza defectuosa.
5. Esta garantía no cubre ningún costo de instalación, mano de obra, fabricación, transporte o de otro tipo que surja de la pieza defectuosa, su reparación, reemplazo u otra situación, y el fabricante no asume ninguna responsabilidad por las mismas.
6. El dueño/usuario asume todos los riesgos, si los hay, incluidos los riesgos de daños o pérdidas directos, indirectos o resultantes que surjan del uso del producto, o de la incapacidad para usarlo, salvo que la ley estipule lo contrario.
7. Mediante el presente, se excluye expresamente cualquier otra garantía, expresa o implícita, respecto del producto, sus componentes y accesorios, o cualquier otra obligación o responsabilidad de parte del fabricante.
8. El fabricante no asume ni autoriza a ningún tercero a asumir en su nombre ninguna otra responsabilidad respecto de la venta de este producto.
9. Las garantías descritas en este documento no se aplican a accesorios que no sean del fabricante y que se usen junto con la instalación de este producto.
10. Esta garantía le otorga derechos legales específicos, pero también puede tener otros derechos que varían según el estado.

Esta garantía es nula si:

- a. La chimenea está sometida a períodos prolongados de humedad o condensación.
- b. Se produce cualquier alteración no autorizada, abuso deliberado, accidente o uso inadecuado del producto.
- c. Usted no tiene el recibo original de compra.

SERVICIO AL CLIENTE

www.tsicustomerservice.com

Para el servicio de atención al cliente llame 1-866-661-1218

¿Tiene preguntas? Nuestro Centro de mensajes está disponible 7 días de la semana, 24 horas del día con nuestra línea de ayuda gratuita. Nuestro departamento de Servicio al Consumidor está disponible de Lunes a Viernes, de 8:30 am hasta las 5:30 pm EST. Le podemos ayudar con ensamblaje y si es necesario con el reemplazo de piezas dañadas o pérdidas.

IMPORTANTE:

Antes de comunicarse con atención al cliente, tenga disponible la siguiente información:

- Número de serie
- Número de modelo
- Recibo de compra o prueba de compra

INSTRUCTIONS IMPORTANTES

Lors de l'utilisation d'appareils électriques, pour éviter les risques d'incendie, d'électrocution et de blessures, toujours suivre les consignes de sécurité de base suivantes :

1. Lisez toutes les directives avant d'utiliser cet appareil.
2. DANGER - Les températures élevées peuvent être générées sous certaines conditions anormales. Ne couvrez et n'obstruez pas partiellement ou totalement l'avant de cet appareil de chauffage. AVERTISSEMENT : Ne couvrez pas l'appareil pour éviter qu'il surchauffe.
3. AVERTISSEMENT : Ne jamais laisser un chauffage fonctionnant sans surveillance. Une grande prudence est nécessaire si des enfants sans supervision ou des invalides sont à proximité.
4. Cet appareil ne doit pas être utilisé par les enfants, les personnes atteintes d'une déficience physique, sensorielle ou intellectuelle, ou les personnes n'ayant pas l'expérience et les connaissances nécessaires, à moins qu'une personne ne les supervise ou leur donne les instructions nécessaires.
5. Débranchez toujours cet appareil lorsqu'il n'est pas utilisé.
6. N'utilisez pas un appareil muni d'un cordon ou d'une fiche endommagé, qui a subi une défaillance, qui est tombé ou qui a été endommagé de quelque façon que ce soit.
7. Si le cordon d'alimentation est endommagé, il doit être remplacé par le fabricant, par un de ses agents ou par une personne qualifiée afin d'éviter tout danger.
8. N'utilisez pas cet appareil à l'extérieur.
9. Cet appareil n'est pas conçu pour être utilisé dans une salle de bains, une salle de lavage ou tout autre endroit humide semblable. Ne placez jamais cet appareil à un endroit où il risquerait de tomber dans une baignoire ou un autre contenant rempli d'eau.
10. Évitez de placer le cordon sous un tapis. Ne couvrez pas le cordon avec une carpe, un tapis de passage ou un autre article semblable. Placez le cordon dans un endroit peu passant et où il ne pourra pas être accroché.
11. Pour débrancher cet appareil, tournez les commandes en position d'arrêt, puis retirez la fiche de la prise.
12. Brancher uniquement dans une prise de courant munie d'une mise à la terre. Cet appareil de chauffage a été conçu pour être utilisé sous une tension de 120 V. La fiche du cordon est montrée à la figure 1 en A. Ne pas utiliser d'adaptateur de 3 broches à 2 broches. Ne jamais utiliser avec une rallonge ou une barre d'alimentation (multiprises).

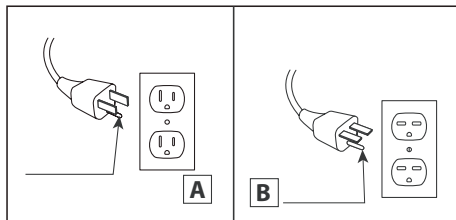
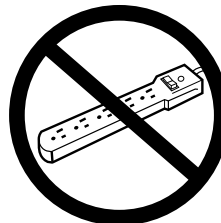


Fig.1

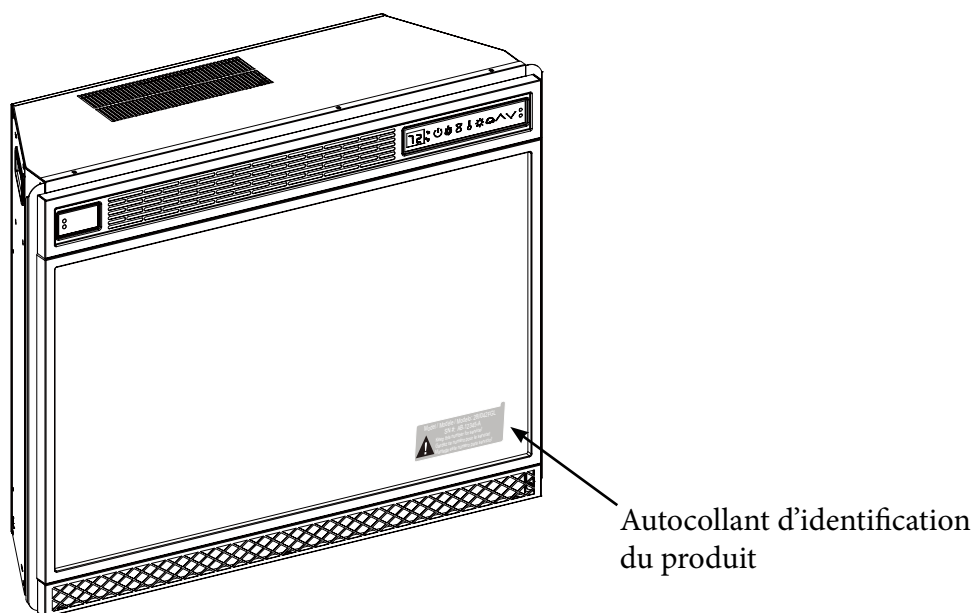


13. Lors de l'installation, veillez à ce que l'appareil soit mis à la terre conformément aux codes locaux, le cas échéant, à la plus récente version du Code canadien de l'électricité, CSA C22.1, ou, dans le cas des installations aux É.-U., aux codes locaux et au code national de l'électricité, ANSI/NFPA no 70.
14. N'insérez jamais un objet, quel qu'il soit, dans les ouvertures de ventilation ou de sortie d'air de l'appareil afin de prévenir les dommages ainsi que les risques de choc électrique et d'incendie.
15. Afin de prévenir les risques d'incendie, ne bloquez jamais les ouvertures d'aération ou de sortie d'air de quelque façon que ce soit. Ne placez pas l'appareil sur une surface molle, comme un lit, car les ouvertures pourraient se bloquer.
16. Cet appareil renferme des pièces chaudes qui produisent des arcs électriques ou des étincelles. N'utilisez pas l'appareil là où de l'essence, de la peinture ou des liquides inflammables sont utilisés ou entreposés. Ce foyer ne doit pas être utilisé pour faire sécher les vêtements. Ne suspendez pas de bas de Noël ou d'autres décorations sur ou à proximité de ce produit.
17. N'utilisez cet appareil que pour l'usage prévu dans ce manuel. Toute autre utilisation de l'appareil qui n'est pas prévue par le fabricant peut provoquer un incendie, un choc électrique ou des blessures.
18. Ce radiateur peut inclure une alarme visuelle afin de prévenir du fait que certaines pièces du radiateur sont en train de chauffer de façon excessive. Si l'alarme clignote, éteindre immédiatement le radiateur et vérifier s'il n'y a pas d'objets sur ou adjacent au radiateur pouvant provoquer une température élevée. **NE PAS UTILISER LE RADIATEUR LORSQUE L'ALARME CLIGNOTE!**

CONSERVER CES INSTRUCTIONS

PRÉPARATION

1. Retirer l'autocollant d'identification du produit sur le devant de l'insertion.



2. Fixer l'autocollant d'identification du produit ci-dessous, dans le manuel, pour référence future. Cette information sera utilisée pour l'enregistrement de produit et sera aussi nécessaire pour le service à la clientèle.

Fixer l'autocollant d'identification du produit ici

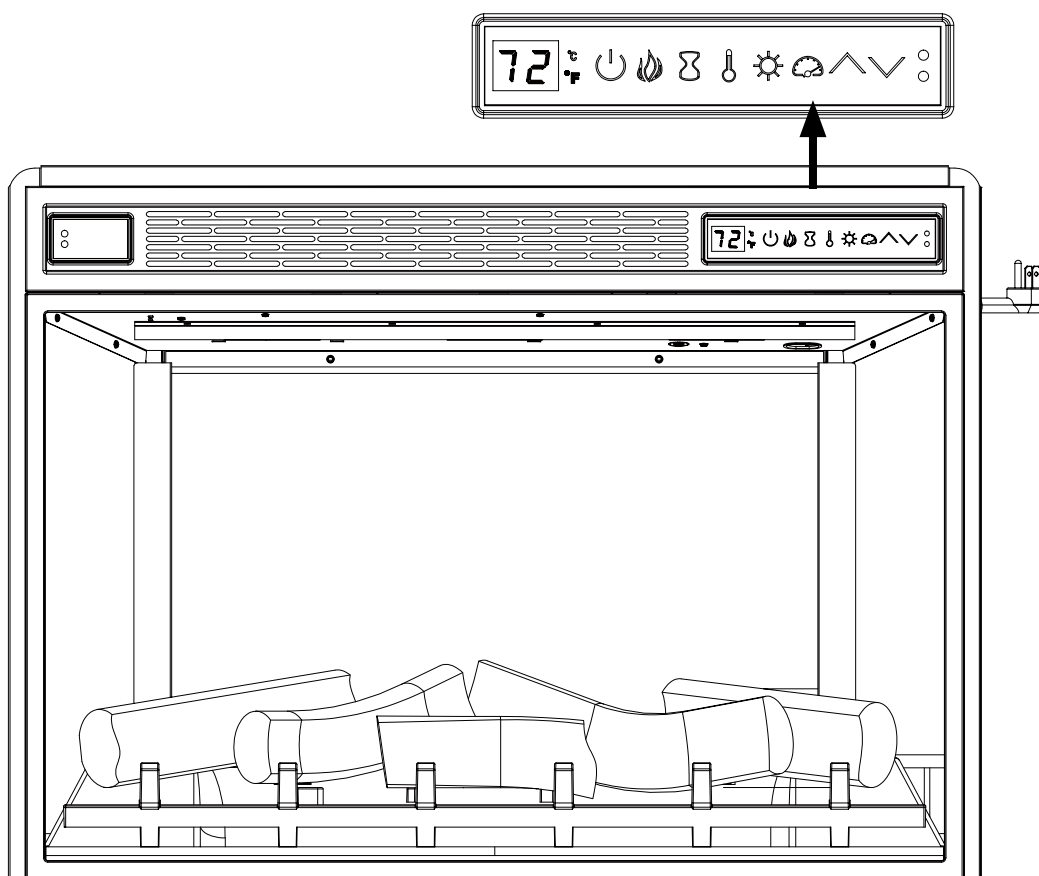


3. Rendez-vous sur le site www.tsicustomerservice.com pour compléter l'enregistrement de la garantie. Si vous êtes incapable de compléter l'enregistrement, conserver votre preuve d'achat pour les besoins de la garantie.

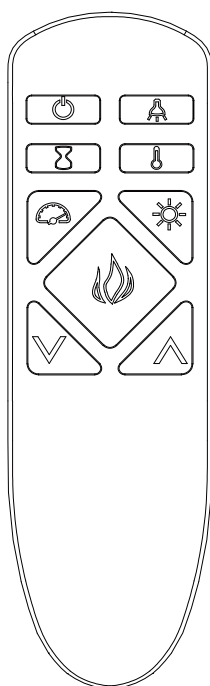
CARACTÉRISTIQUES DU PRODUIT

TENSION	120VAC, 60 Hz
AMPÈRES	12,5 A
WATTS	1500 W







INSTRUCTIONS D'OPÉRATION



Le chauffage peut être activé soit par la télécommande ou par le panneau de commande.



INSTRUCTIONS D'OPÉRATION

FONCTION	ICÔNE	DESCRIPTION
FLAMME		<p>Il y a 5 couleur unique 3D qui peuvent être sélectionnés.</p> <ol style="list-style-type: none">1: Spectrafire2 : Saphir3 : Améthyste4 : Feu de camp5 : Feu de nuit <p>AU : Auto cycle qui fera automatiquement un fondu d'un nouvel effet de couleur de flamme périodiquement. Après trois secondes d'inactivité, l'écran sortira du mode de réglages de l'éclairage et affichera les réglages pour les flammes de la cheminée.</p>
CHAUFFERETTE		<p>La foyer comporte trois éléments chauffants à infrarouge à quartz.</p> <p>La plage de réglage du thermostat est de 17°C à 27°C (62°F à 82°F) ou à fonctionnement en continu ou éteint (00).</p> <p>Le thermostat est réglable de incréments par 2°F ou 1°C.</p> <p>Les boutons haut et bas " ^ v " augmenteront / diminuer réglage de la température.</p> <p>Pour passer de l'affichage en degrés °F à degrés °C, pressez et maintenez pendant 3 secondes le bouton de chauffage (HEATER) sur le panneau de commande.</p>
MINUTERIE		<p>De presser sur le bouton de minuterie (timer) permet de cycler entre les divers réglages de minuterie ; 30 minutes, 1 heure, 2, 3, 4, 5, 6, 7, 8, 9 heures et éteint (00).</p>
VITESSE DU FLAMME		<p>Chaque option de couleur de flamme 3D a l'option de vitesse disponible.</p> <p>Le paramètre 1 est le plus lent allant au paramètre 5 qui est le plus rapide.</p>
INTENSITÉ DU FLAMME		<p>Chaque option de couleur de flamme 3D a 5 options d'intensité disponible.</p>
LUMIÈRE		<p>En appuyant sur le bouton de la lumière sur la télécommande, la DEL de l'armoire alternera entre les quatre niveaux d'éclairage et le mode OFF. Les réglages 1 à 4 diminuent la luminosité de la DEL.</p>

INSTRUCTIONS D'OPÉRATION

PLUGIN DE SÉCURITÉ



Ce produit est équipé d'un plugin de sécurité; un dispositif de sécurité avancée qui permet de détecter les incendies électriques causée par les points défectueux.

La surcharge de la sortie, des adaptateurs et des protecteurs de surtension peut provoquer une surchauffe, des dommages, et l'augmentation des risques d'incendies. Le plugin de sécurité peut contrôler en continu la température dans le plugin et la sortie, et aussi éteindra le chauffage afin d'éviter la surchauffe dangereuse à la sortie.

Lorsque le plugin de sécurité coupe la tension en raison des conditions dangereuses, il s'affichera un message "E-" sur l'écran. En ce cas, le plugin de sécurité a empêché une condition potentiellement dangereuse.

Pour réinitialiser le dispositif dans ce cas, il permet tout d'abord le plugin à refroidir. Une fois que le plugin a refroidi, débranchez l'appareil et attendez 5 secondes, puis rebranchez et continuez à utiliser normalement.

Si le plugin de sécurité continue à activer votre sortie, il peut être défectueux. Vérifiez le branchement entre le câble et le plugin de votre réchauffeur. Le branchement incorrect de sortie de mur ou le manque de branchement peut provoquer la sortie ou le plugin à surchauffer. Le réchauffeur va produire plus de courant que les petits appareils, une surchauffe de la sortie peut se produire même si elle n'a pas eu lieu à l'utilisation d'autres appareils. Vérifiez fréquemment pendant le fonctionnement pour déterminer si votre sortie ou la façade du plugin est CHAUD! Si oui, arrêtez l'appareil de chauffage et demandez un électricien qualifié à vérifier et / ou remplacer la(les) sortie(s) défectueuse(s).

CAPTEUR PLUS SÉCURISÉ



Ce produit est équipé d'un capteur de sécurité; un dispositif de sécurité avancé qui permet de prévenir les réchauffeurs d'être accidentellement couverts ou bloqué provoquant une condition potentiellement dangereuse.

Le CAPTEUR DE SÉCURITÉ détecte si un objet est trop proche de l'avant de l'appareil qui obstrue potentiellement la sortie d'air. En cas de blocage, l'icône "E5" sur le panneau de contrôle se clignote et le réchauffeur sera désactivé. Une fois que l'objet a été déplacé et puis que l'utilisateur appuie sur le bouton d'alimentation, "E5" disparaîtra et l'unité sera de retour sur le réglage précédent avec la chaleur en active.

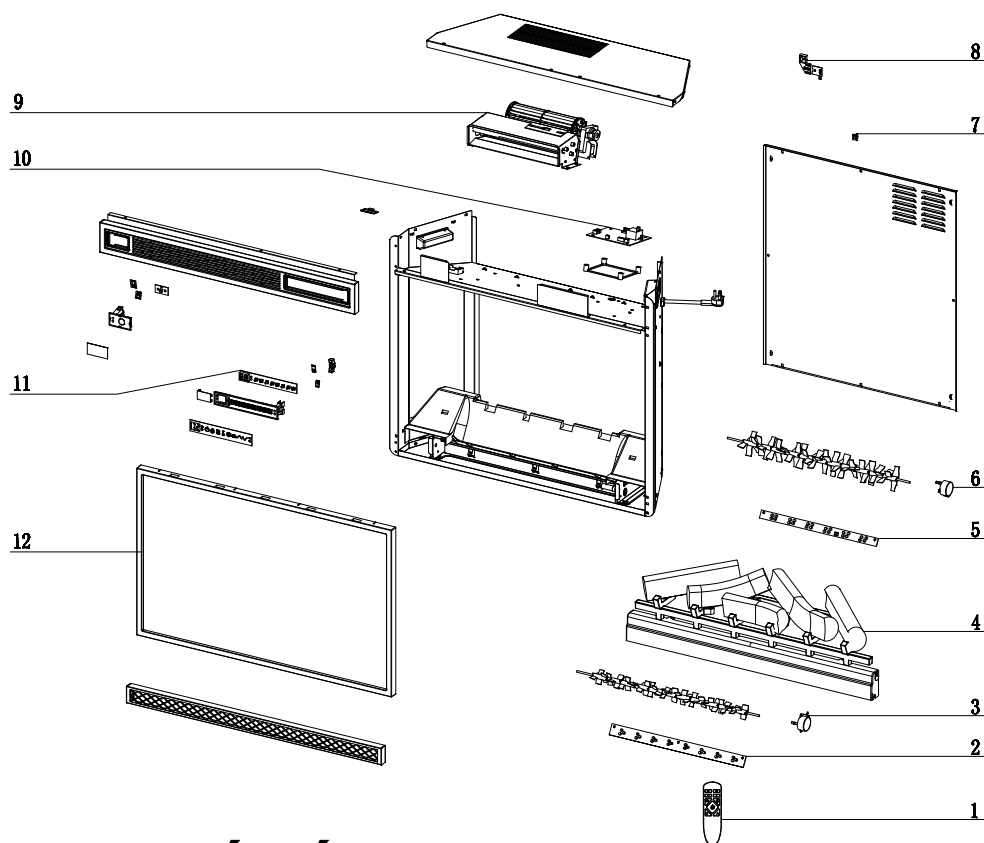
DÉPANNAGE

Problème	Cause probable	Action corrective
L'affichage indique " E 1 ".	Le capteur du thermostat est brisé ou déconnecté.	Débrancher le foyer, retirer le panneau arrière du foyer et vérifier que le thermostat est branché sur la plaquette de circuit principale. Si cela ne résout pas le problème, contacter le service à la clientèle pour demander un capteur de thermostat de rechange.
L'affichage indique " E 2 ".	Le capteur du thermostat est brisé.	Contactez le service à la clientèle pour un capteur de thermostat de rechange.
L'affichage indique " E 3 ".	La protection à réinitialisation manuelle contre la surchauffe s'est déclenchée.	Inspecter la chaufferette et vérifier que les entrées et les sorties d'air ne sont pas obstruées car cela peut causer une surchauffe. Débrancher la chaufferette pendant 30 minutes et la laisser refroidir. Rebranchez-la et faites-la fonctionner, en surveillant le chauffage pour des signes de surchauffe, si le problème persiste cessez d'utiliser le chauffage et contactez le service à la clientèle.
L'affichage indique " E 4 ".	Le cordon de protection contre la surchauffe a été activé.	Vérifiez les connexions du cordon et de sa fiche. Des connexions de prises défectueuses ou des fiches trop libres peuvent entraîner une surchauffe de la fiche ou de la prise. Vérifiez que la fiche s'insère bien dans la prise. Les chauffages consomment plus d'intensité que les petits appareils électriques ; Il peut se produire une surchauffe même si cela n'arrive pas avec d'autres appareils. Au cours de l'utilisation, vérifiez fréquemment la prise pour voir si elle est CHAUDE ! Si c'est le cas, cessez d'utiliser le chauffage et faites vérifier ou/et remplacer la prise défectueuse par un électricien qualifié.
L'affichage indique " E 5 ".	La sortie d'air de l'appareil est obstruée.	Vérifiez s'il y a un espace libre de 3 pieds en face de la ventouse de chauffage.
Le chauffage ne souffle pas d'air chaud.	Cycle de refroidissement.	Fonctionnement normal, continuera de fonctionner pendant une période de fois avant de s'arrêter. Les temps varieront basé sur les températures. Pendant ce temps de l'air froid sera soufflé.
Pas d'alimentation, les bûches ne s'illuminent pas.	L'unité n'est pas en marche / alimentée.	Vérifier que l'unité est branchée directement dans une prise de courant standard à 120 volts. Appuyer plusieurs fois sur le bouton marche/arrêt (Power) et assurez-vous qu'il est à la position de marche ("ON").
Les bûches s'illuminent mais ne font pas d'effet de flammes.	L'effet de flammes n'est pas en fonction.	Appuyer plusieurs fois sur le bouton d'effets de flamme.
Le chauffage ne souffle pas d'air chaud.	Le réglage du thermostat empêche le chauffage de semettre en marche.	Ajuster le réglage de température afin de vous assurer que le réglage du thermostat est réglé à une température plus élevée que la température actuelle de la pièce.
L'effet de flammes fonctionne mais la fonction de chauffage ne marche pas et le lit de braise clignote quand on presse sur le bouton de chauffage (Heater).	Le chauffage est désactivé.	Alors que l'appareil fonctionne, appuyer et maintenir pendant 10 secondes le bouton marche/arrêt (POWER) sur le panneau de commande. Une fois réinitialisé, les lampes du lit de braise clignoteront plusieurs fois.
La télécommande ne fonctionne pas.	Pas de piles	Changer les piles de la télécommande.
	Mauvais Signal.	Faire fonctionner la télécommande à un rythme lent et mesuré. Appuyer sur les touches de la télécommande avec un même mouvement et une légère pression. Appuyer sur les touches à plusieurs reprises en succession rapide peut entraîner un mauvais fonctionnement de la télécommande.
	Distance	Faites fonctionner la télécommande a une distance de moins de 6 mètres du devant de l'appareil ; Pointer la télécommande sur le panneau de commandes.

PIÈCES DE RECHANGE

Pièce	Nom de la pièce
1	Télécommande
2	Avant Circuit Board Flame
3	Moteur d'Entrainement du Générateur de Braises
4	Lit de braise avec bûche
5	Arrière Circuit Board Flame
6	Arrière Flame Drive Generator Motor
7	DC Jack
8	Thermostat de Sensor
9	Souffleuse / Chauffage Assemblée
10	Principal Circuit Board
11	Contrôle Circuit Board Panel
12	Panneau Avant Avec Cadre

Veuillez noter que la taille et l'échelle de vos pièces peuvent varier selon les différents modèles.



ENTRETIEN GÉNÉRAL

- Les moteurs utilisés sur le ventilateur et le générateur d'effet de flamme ont été prégraissés pour prolonger la durée des roulements et n'exigent aucun autre graissage. Toutefois, nous recommandons de nettoyer le ventilateur et le radiateur et d'y passer l'aspirateur périodiquement.
- Nettoyez la garniture d'un chiffon doux légèrement humidifié avec un produit à base d'huile de citron, et faites briller avec un chiffon doux et propre. Ne pas utiliser de produit nettoyant pour cuivre ou autre produit nettoyant ménager, car ces produits abîmeront la garniture métallique. Les produits à base d'huile de citron sont disponibles dans les supermarchés ou les quincailleries.
- Assurez-vous que l'appareil est éteint et débranché lorsque vous nettoyez le radiateur ou le foyer.

INFORMATION CONCERNANT FCC/IC

Avertissement: Des changements ou modifications effectués sur cet appareil, non expressément approuvés par la partie responsable de la conformité, pourraient annuler le droit de l'utilisateur concernant l'usage de l'équipement.

REMARQUE: Cet équipement a été testé et reconnu conforme aux normes applicables aux appareils informatiques de Classe B, en vertu de l'article 15 des réglementations de la FCC. Ces normes visent à fournir une protection raisonnable contre les interférences nuisibles dans une installation résidante. Cet appareil génère, utilise et peut diffuser de l'énergie radioélectrique. En conséquence, s'il n'est pas installé et employé conformément aux instructions, il peut provoquer des interférences nuisibles aux communications radio.

Toutefois, il n'y a aucune garantie que des interférences ne se produiront pas dans certaines installations. Si l'appareil est à l'origine d'interférences nuisibles vis-à-vis de la réception de la radio ou de la télévision, ce qui peut être déterminé en l'allumant puis en l'éteignant, il est recommandé à l'utilisateur de considérer l'une ou plusieurs des mesures suivantes, pour tenter de remédier à ces interférences.

- réorienter ou déplacer l'antenne réceptrice;
- accroître la distance entre l'appareil et le récepteur;
- brancher l'appareil sur une prise de courant appartenant à un autre circuit que celui du récepteur;
- obtenir de l'aide auprès du détaillant ou d'un technicien en radio ou en télévision expérimenté.

Cet appareil est conforme à l'alinéa 15 du règlement de la FCC. Son utilisation est soumise aux deux conditions suivantes :

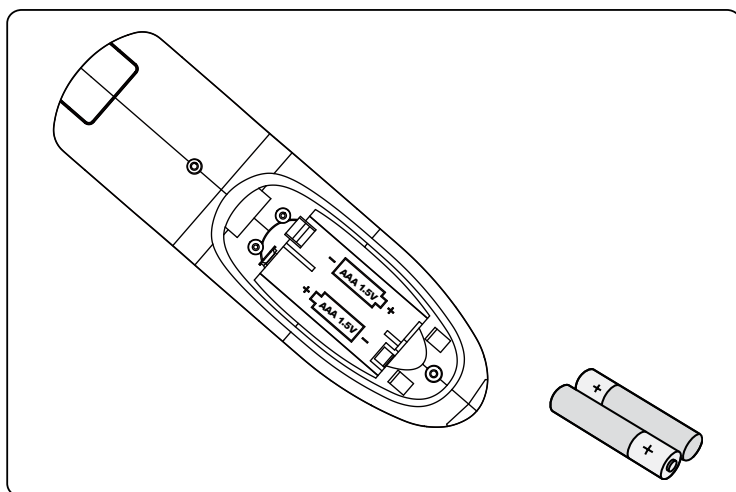
- (1) cet appareil ne doit provoquer aucune interférence nuisible; et
- (2) cet appareil doit accepter toute interférence reçue, y compris les interférences pouvant entraîner un fonctionnement indésirable.

Cet appareil numérique de classe B est conforme à la norme NMB-003 du Canada.

REEMPLACEMENT DES PILES

Note: Ne pas mélanger les piles usagées et neuves.

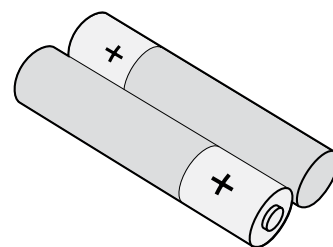
Ne pas mélanger les piles alcalines, standard (carbone/zinc) ou rechargeables (ni-cad, Ni-Mh, etc.)



Remarque:

Disposition des piles

Veillez toujours disposer des piles dans un site de recyclage adéquat.



ATTENTION:

- Mise en garde au cas d'ingestion.
- Les piles non rechargeables ne doivent pas être rechargées.
- Les piles doivent être insérées en respectant la polarité.
- Les piles déchargées doivent être retirées du produit.
- S'assurer de toujours acheter la taille et la catégorie exactes de piles les mieux adaptées à l'utilisation prévue.
- Remplacer toutes les piles d'un groupe en même temps.
- Nettoyer les surfaces de contact de la pile et celles du compartiment avant d'installer les piles.
- Enlever les vieilles piles rapidement.

GARANTIE LIMITÉE DE 1 AN

Le fabricant garantit que votre nouveau foyer électrique est exempt de défaut de fabrication ou de matériaux durant une année à partir de la date d'achat, en tenant compte des conditions et des restrictions suivantes.

1. Respectez en tout temps les directives d'installation et le mode d'emploi fournis avec ce foyer électrique lorsque vous installez et que vous utilisez ce produit. Toute modification non autorisée, abus volontaire, accident ou mauvaise utilisation du produit invalide la présente garantie.
2. Cette garantie n'est pas transférable et n'est offerte qu'à l'acheteur d'origine, tant que l'achat a été conclu chez un fournisseur autorisé du produit.
3. La garantie se limite à la réparation ou au remplacement des pièces qui présentent des défauts de matériaux ou de fabrication, tant que ces pièces ont fait l'objet d'une utilisation et d'un entretien normaux, une fois un tel défaut confirmé par l'inspection effectuée par le fabricant.
4. Le fabricant peut, à sa discrétion, s'acquitter de toute obligation en vertu de la présente garantie en remboursant le prix de gros des pièces défectueuses.
5. Tout frais d'installation, de main-d'œuvre, de fabrication, de transport, ou d'autres frais connexes découlant des pièces défectueuses, de la réparation, du remplacement ou d'une intervention du même type, ne sont pas couverts par la présente garantie et le fabricant n'assume aucune responsabilité à cet égard.
6. Le propriétaire ou l'utilisateur assume tous les risques, le cas échéant, incluant le risque de pertes ou dommages directs, indirects ou consécutifs découlant de l'utilisation de l'appareil, ou de l'incapacité à utiliser l'appareil, sauf conformément aux dispositions de la loi.
7. Toutes les autres garanties, explicites ou implicites, sur le produit, ses composants et ses accessoires ainsi que toute autre obligation ou responsabilité du fabricant sont expressément exclues par les présentes.
8. Le fabricant n'assume ni n'autorise un tiers à assumer, en son nom, toute autre responsabilité quant à la vente de ce produit.
9. Les garanties énoncées dans le présent document ne couvrent pas les accessoires utilisés au cours de l'installation de ce produit.
10. Cette garantie vous confère des droits particuliers et vous pourriez aussi avoir d'autres droits qui varient d'une province ou d'un État à l'autre.

Cette garantie sera annulée si :

- a. Le foyer est exposé à l'humidité ou à la condensation pendant des périodes prolongées.
- b. Le produit a fait l'objet d'une modification non autorisée, d'un abus volontaire ou d'une mauvaise utilisation, ou a subi un accident.
- c. Vous n'avez pas le reçu de vente original.

SERVICE À LA CLIENTÈLE

www.tsicustomerservice.com

Pour le Service Clientèle Appeler le 1-866-661-1218

Questions? Nos centres d'appels sont disponibles 7 jours sur 7 et 24 heures sur 24 avec notre ligne d'assistance sans frais. Notre service à la clientèle est disponible du Lundi au Vendredi 8h30-17h30 HNE. Nous pouvons vous assister à l'assemblage et, si nécessaire, remplacer les pièces endommagées / manquantes.

IMPORTANT :

Avant de contacter le service à la clientèle, assurez-vous d'avoir en main l'information suivante :

- Numéro de série
- Numéro de modèle
- Votre facture d'achat ou une preuve d'achat