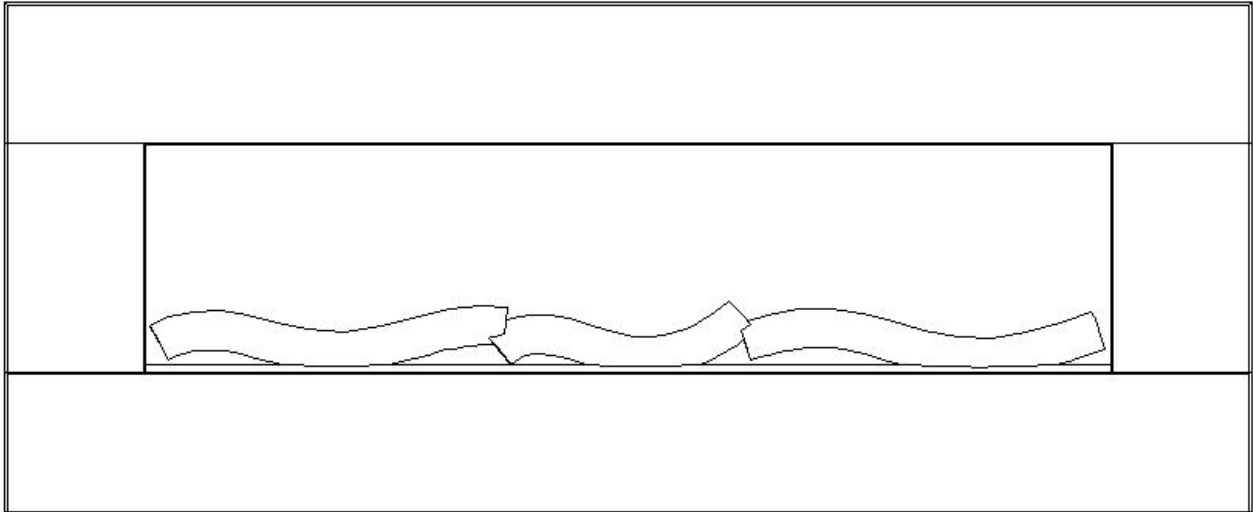


Stainless steel 50 inch Electric Fireplace w/3 colors&Sound Bar

Model Numbers: 80024

OWNER'S MANUAL



WARNING

Read and understand this entire owner's manual, including **all safety information**, before **plugging in** or **using** this product. Failure to do so could result in **fire, electric shock, or serious personal injury**.

CAUTION

Keep this owner's manual for future reference. If you sell or give this product away, **make sure this manual accompanies this product**.

touchstone
Smart Furniture. Beautiful Solution.



IMPORTANT SAFETY INFORMATION!

WARNING

- **Read all instructions before using this heater!**
- This heater is **hot when in use**. To avoid burns, **DO NOT** let bare skin touch **hot** surfaces. If provided, use handles when moving this heater. Keep **combustible materials**, such as furniture, pillows, bedding, papers, clothes, and curtains at least **3 feet (0.9m)** from the **front of the heater**, and **keep them away from the sides and rear**.
- **Extreme caution** is necessary when any heater is used by or near **children** and whenever the heater is left **operating and unattended**.
- **DO NOT** operate any heater with a **damaged cord or plug** or after the **heater malfunctions**, has been **dropped** or **damaged in any manner**. Discard heater, or return to authorized service facility for examination and/or repair.
- **DO NOT** run **power cord** under carpeting. **DO NOT** cover power cord with throw rugs, runners, or similar coverings. **DO NOT** route power cord under furniture or appliances. Arrange power cord **away from traffic** area, and where it will not be tripped over.
- **Connect to properly grounded outlets ONLY.**
- **DO NOT** insert or allow **foreign objects** to enter any **ventilation or exhaust opening**, as this may cause **electric shock** or **fire**, or **damage the heater**.
- To prevent a possible fire, **DO NOT** block air intakes or exhaust in any manner. Doing so could cause a **fire**. **DO NOT** use on soft surfaces, like a bed, where openings may become blocked.
- A heater has **hot and arcing or sparking parts inside**. **DO NOT** use it in areas where **gasoline, paint, or flammable liquids** are used or stored.
- **Use this heater only as described in this manual. Any other use not recommended by the manufacturer may cause fire, electric shock, or injury to persons.**
- **ALWAYS** plug heaters directly into a wall outlet/receptacle. **NEVER** use with an extension cord or relocatable power tap (outlet/power strip).
- **DO NOT** place the heater near a bed because objects such as pillows or blankets can fall off the bed and be ignited by the heater.
- **NEVER** use this heater in **bathrooms, laundry rooms**, or any other location where the heater could fall into a **bathtub** or **pool**, become **damp**, or **come in contact with water**.
- **AVOID FIRE!** Regularly inspect all air vents to make sure they are free from dust, lint, or other blockage. **Unplug the unit** and clean with a **vacuum ONLY**. **DO NOT** rinse or get wet.
- **NEVER** hang this unit on a wall **directly below an electrical outlet**.
- **NEVER** permanently install in a **recessed area of the wall**. This may result in **blocked air flow, overheating, or fire**.
- **ALWAYS** mount to wall bracket before use. **DO NOT** set on the floor, or other surface, to use.
- **NEVER** use a wall mount bracket from another manufacturer.

WARNING

- **For residential use only! NOT for commercial use!** Any commercial or public use of this heater **voids all warranties**, and could cause **injury**.
- This product is **not intended** to be a **primary heat source**. It is for **supplemental heat only**.
- **INDOOR use only! NEVER** use this heater **outdoors!** Doing so may result in **electric shock!**
- **Risk of electric shock! DO NOT OPEN!** No user-serviceable parts inside!
- **NEVER modify this heater.** Doing so could result in personal **injury** or property **damage**. Modification of this fireplace **completely voids all warranties**.
- **ALWAYS** turn this heater off before unplugging it from the outlet.
- **ALWAYS disconnect** this unit from the **power** supply **before** performing any assembly or cleaning, or before relocating the electric fireplace.
- **NEVER** leave this heater unattended. **ALWAYS** unplug this heater when not in use.
- **ALWAYS** store this heater in a dry location. **NEVER** use the fireplace if it has become wet.
- **ONLY** use this heater on a **110-120V AC 15-Amp grounded circuit**. **NEVER overload the circuit**. If this heater trips the circuit breaker, unplug all other appliances on the same circuit before the next use. Avoid plugging other appliances into the same circuit as this heater.
- **NEVER** plug this heater into an outlet that is **old, cracked**, or has any **loose wires or connections**. Plugging this heater into a faulty outlet could result in **electric arcing** within the outlet that could cause the **outlet to overheat or catch fire**.
- **ALWAYS** check your heater cord and plug connections with **each use!**
 - i) **MAKE SURE** the plug fits tight in the outlet! Faulty wall outlet connections or loose plugs can cause the outlet to overheat.
 - ii) **Heaters draw more current** than small appliances. **Overheating** may occur even if it has not occurred with the use of other appliances.
 - iii) During use **check frequently** to see if the **plug outlet or faceplate is HOT!**
 - iv) If the outlet or faceplate is **HOT**, **discontinue use immediately** and have a qualified electrician inspect and/or replace the faulty outlets.

Preparation

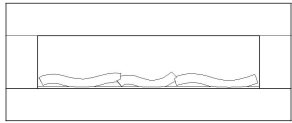

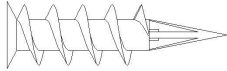
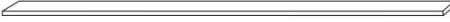
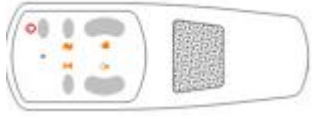
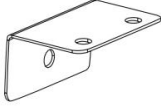
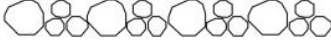


This product includes a **GLASS panel!** Always use **extreme caution** when handling **glass**. Failure to do so could result in **personal injury** or **property damage**.

Remove all parts and hardware from the carton and place them on a clean, soft, dry surface. Parts and assembly steps are grouped for free-standing or wall-hanging use. Check the parts list to make sure nothing is missing. Dispose of packaging materials properly. Please recycle whenever possible.

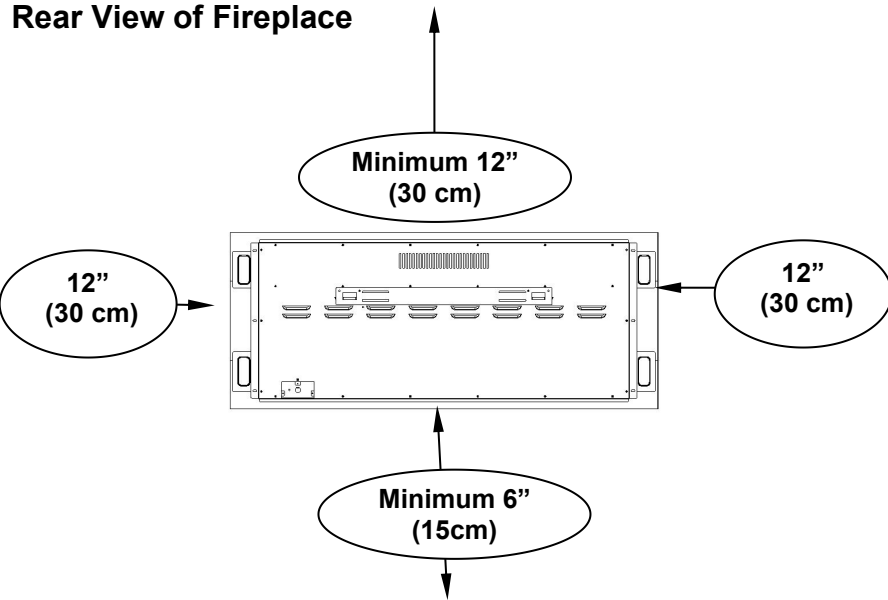
You will need the following tools (not included): Phillips screwdriver; stud finder; level; tape measure; electric drill; 1/4" wood drill bit, hammer.

Parts and Hardware

	 B-Wood Screws(7)	 C-Drywall anchors(7)
A – Fireplace (1)	 G-Plastic Tray(1)	 RC – Remote Control (1)
 D-Fixing part	 F - Decorative Crystals	

Installation and Assembly

Wall Mounted Installation

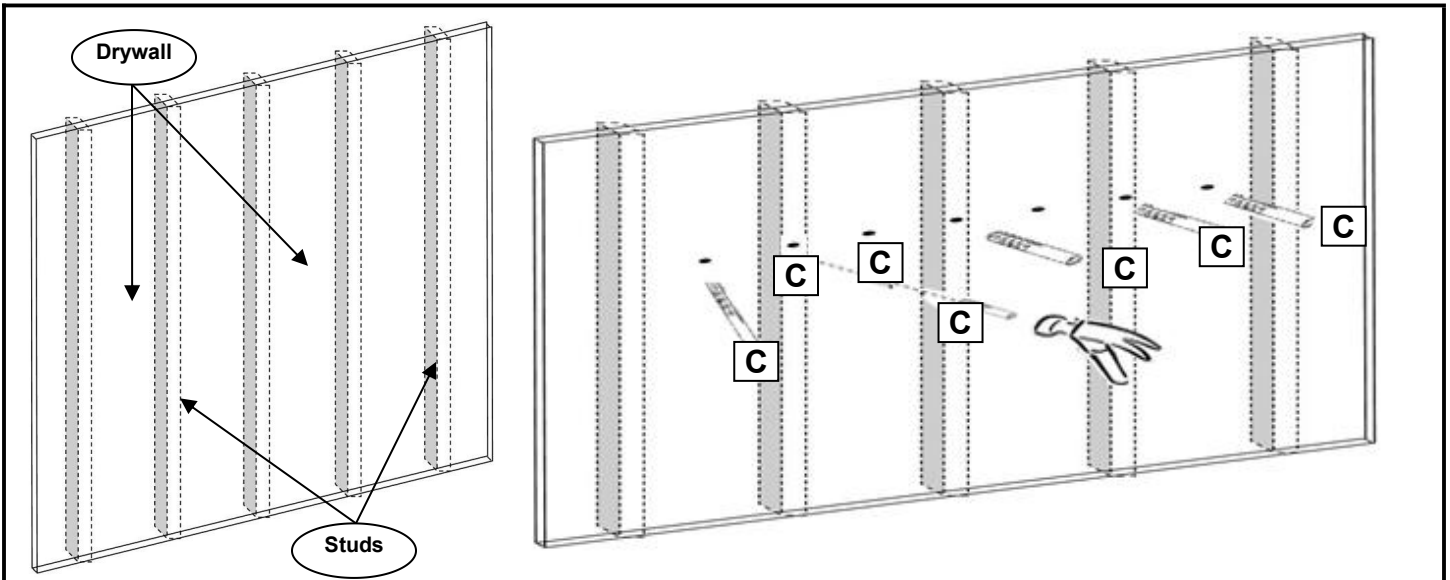
<p>Rear View of Fireplace</p> 	<p>Step 1. Find a safe location. Minimum clearance on each side: 12" (30 cm). Minimum clearance below: 6" (15 cm). Minimum clearance above: 12" (30 cm). Minimum clearance from the front and sides: 3 feet (90 cm). Choose a location near an outlet so an extension cord is not required. DO NOT position the unit directly below a power outlet. See Safety Information on pages 2 and 3 for warnings about safe placement, safe installation, and proper use of this product.</p>
---	---

NOTICE

The wall mount fasteners included with this fireplace are for use **ONLY** with a wood-framed wall covered in drywall (sheet rock). For concrete walls, cinder blocks, or other wall types, consult a professional for the best attachment methods.



ALWAYS unplug this fireplace heater **before assembly** or **cleaning**, or **before relocating**. Failure to do so could result in **electric shock**, **fire**, or **personal injury**.



STEP 2. A. Locate the wall studs using an electronic stud-finder. Mark the hole locations with a pencil. The holes should be 8" (20.3 cm) apart, and level. The minimum height from the surface below must be 6" (30 cm). **B.** Three screws should be screwed directly into wall studs. Then, four drywall anchors are needed.



AVOID INJURY and DAMAGE! Three screws should be screwed directly into wall studs, and additional screws must also be **screwed into the drywall anchors**.

Due to the many different materials used on different walls, it is highly recommended that you consult your local builder before you install this appliance on the wall.

A. Select a location that is not prone to moisture and is located at least 36" (914mm) away from combustible materials such as curtain drapes, furniture, bedding, paper, etc.

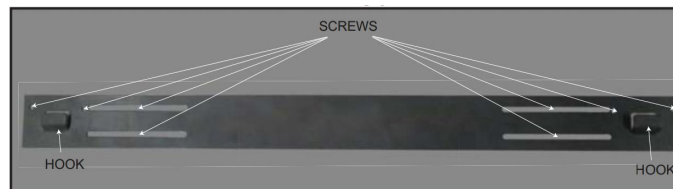
B. Have two people hold the appliance against the wall to determine the final location.

C. Place unit face down on a soft, non-abrasive surface. Remove the bracket from the back of the unit by removing the screws, refer to Figure 1.

D. Mark out location, then mount the bracket(s) onto the wall using the supplied screws. This bracket **MUST** have the hooks facing upward and be level.

NOTE: It is strongly recommended that the mounting bracket be Screwed into the wall studs

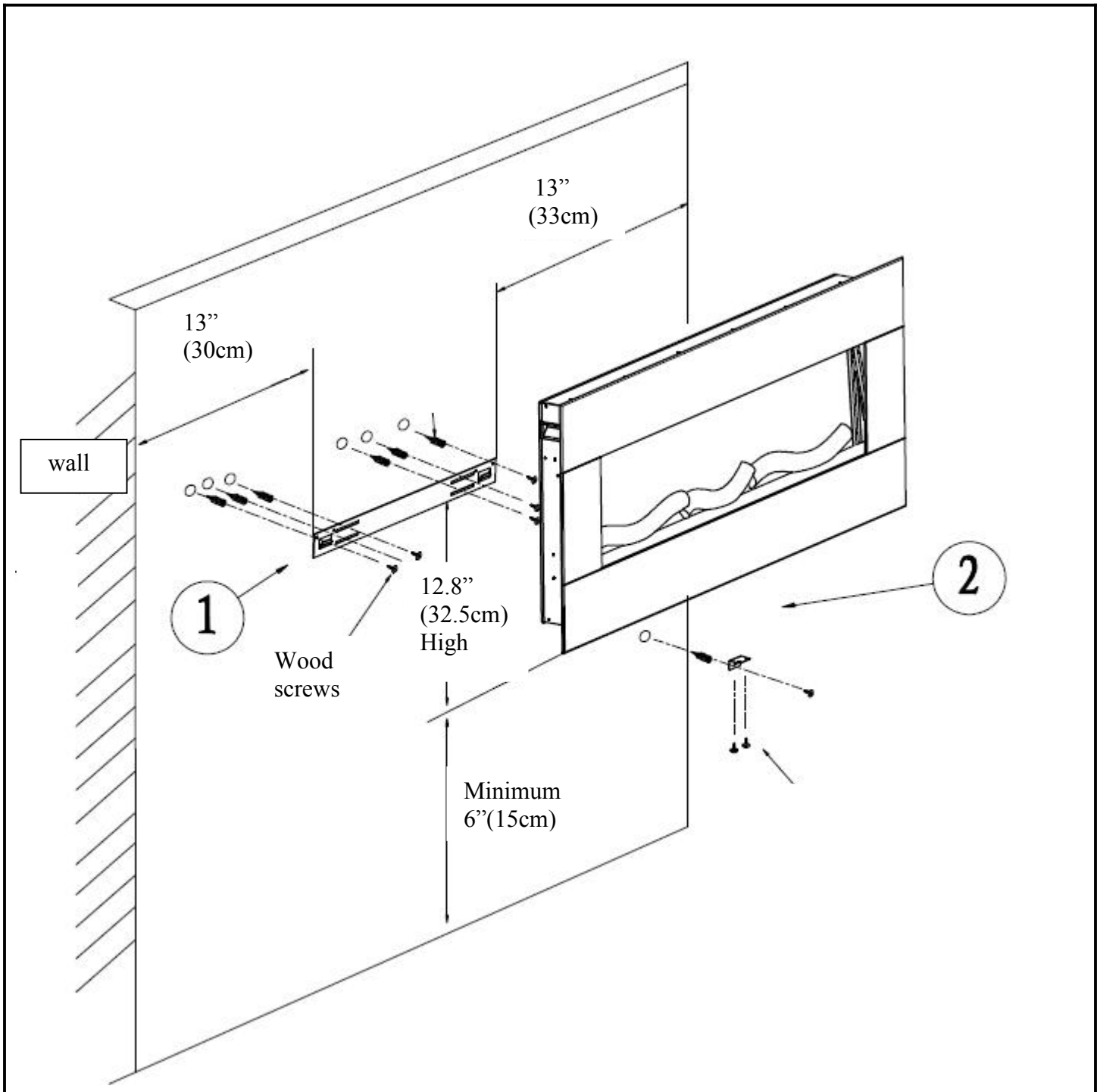
Where possible. If the wall Studs cannot be used, ensure



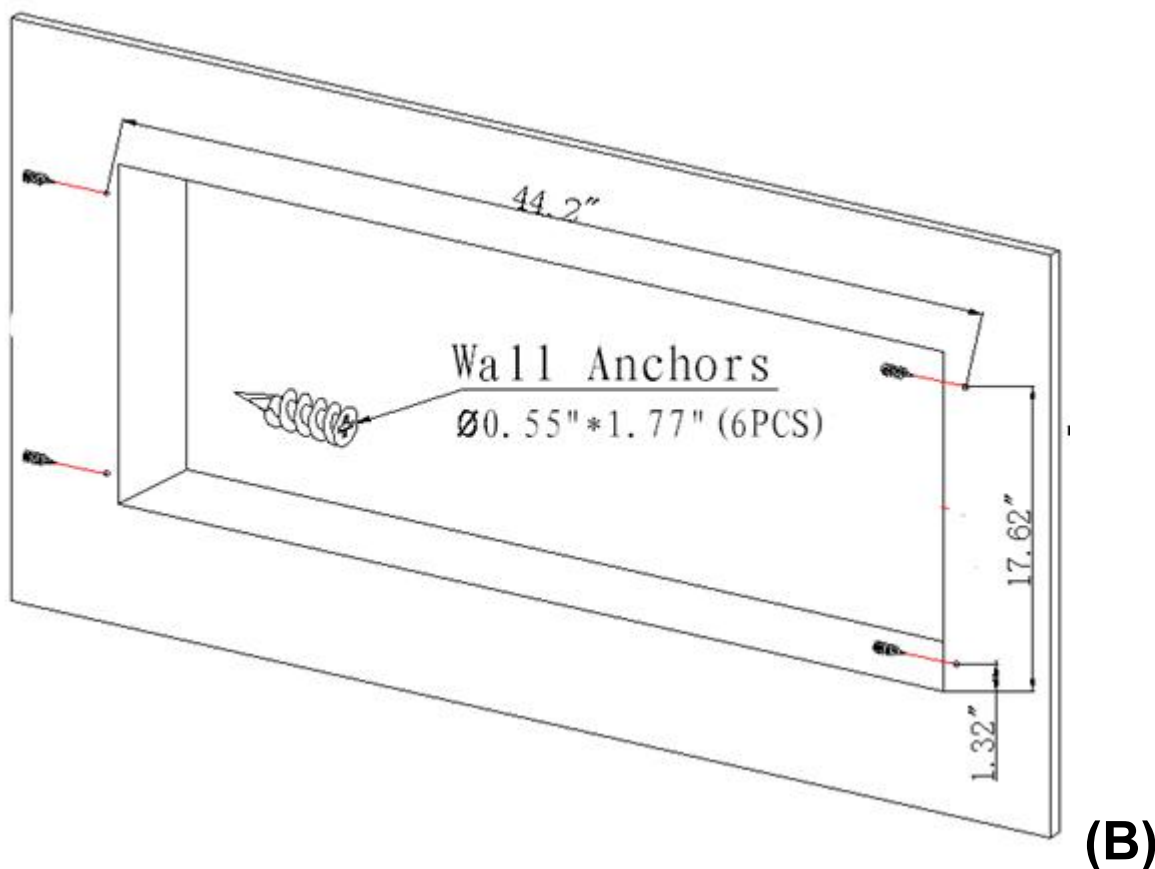
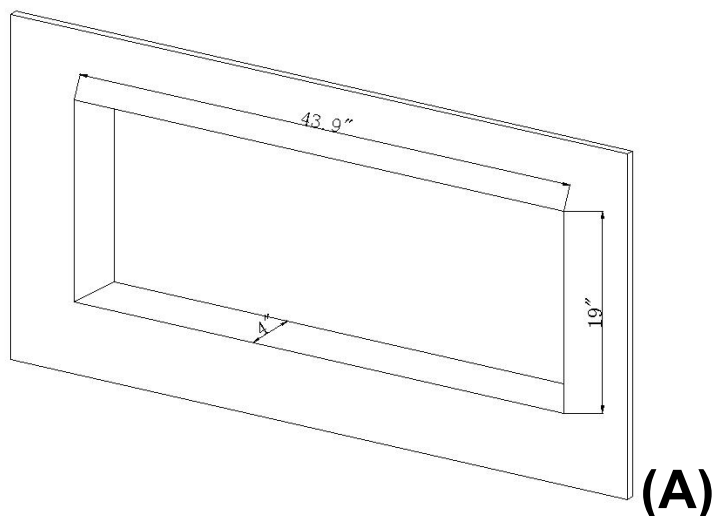
That the supplied plastic anchors are used to affix the bracket to the wall and the bracket is adequately secured.

E. With the wall mounting bracket installed have two people lift the appliance up and

insert the two hooks on the bracket into the two slots on the back of the appliance.
F. Check the appliance for stability ensuring that the bracket will not pull free from the wall.



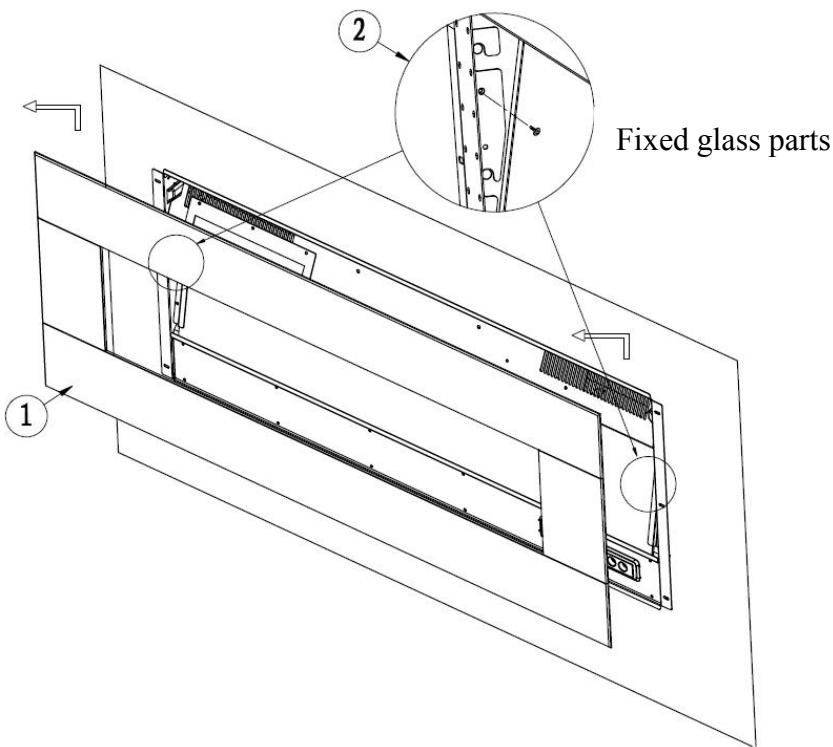
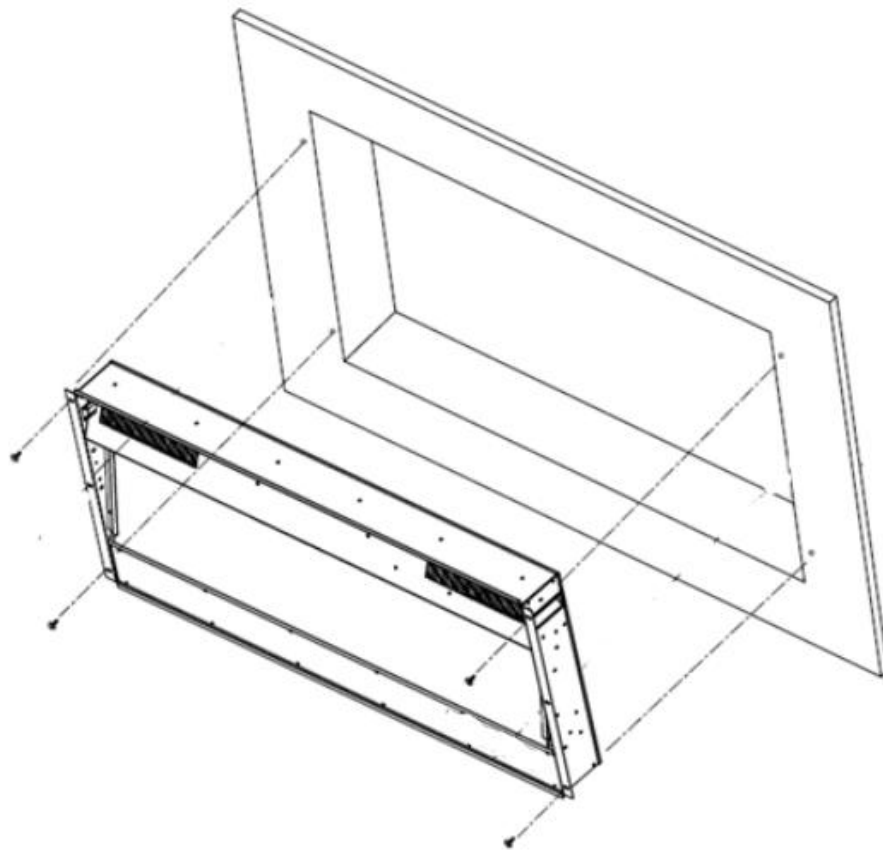
RECESSED TO WALL INSTALLATION



STEP A. Selection a dry wall to open a hole for fireplace box. Size of hole as below chart Figure (A)

Model Number	W	H
80024	43.9"	19"

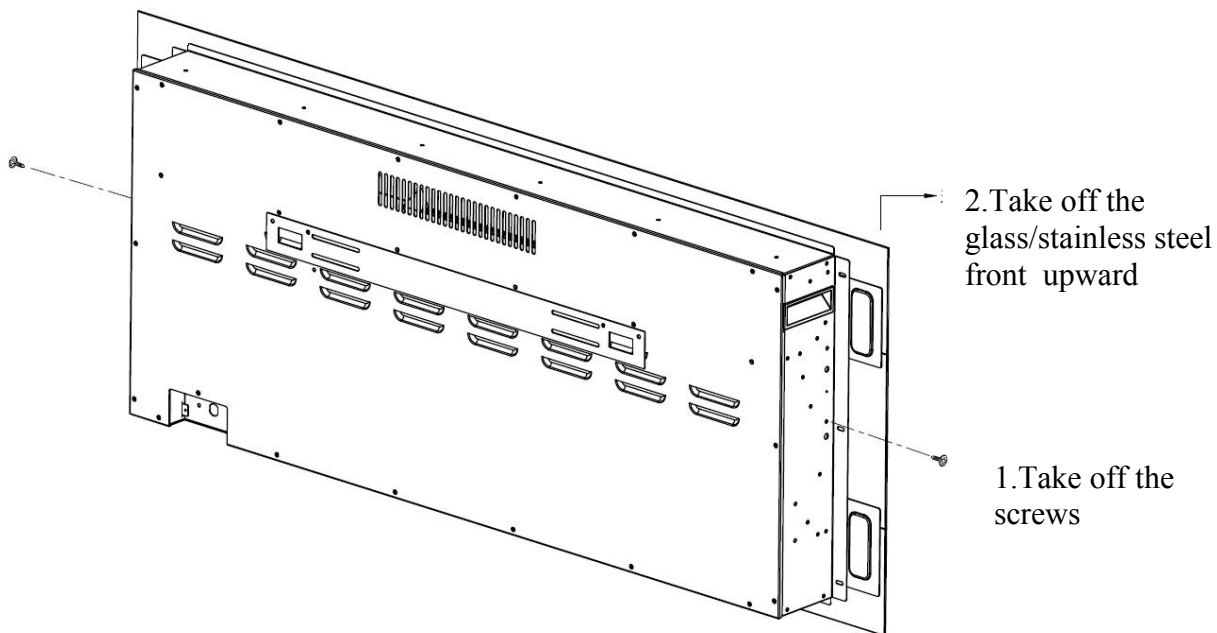
STEP B. Fix the three wall anchors in each side of the fireplace box according to the dimensions showed on the drawing. Figure (B)

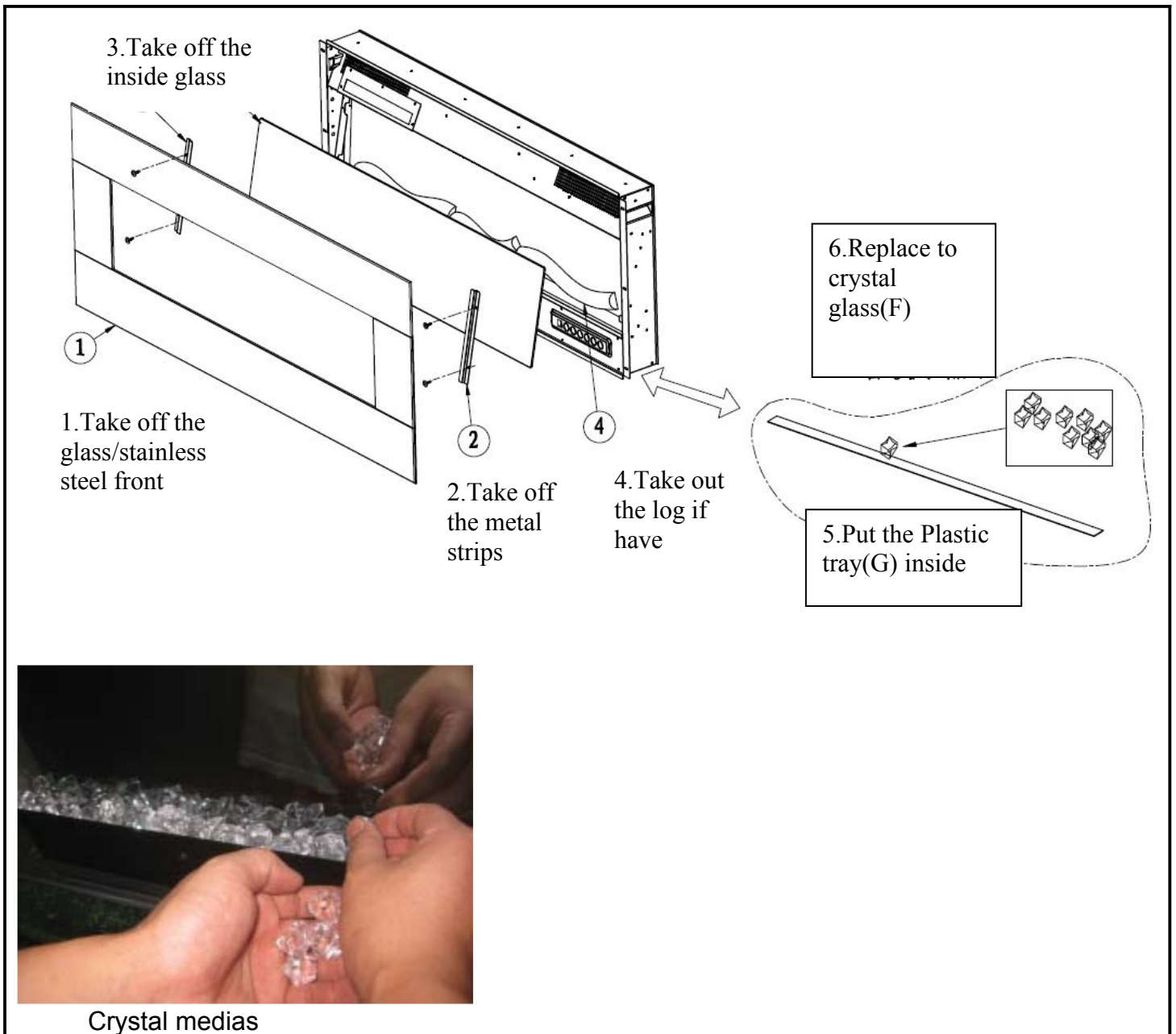


Logset / Crystal / Pebble Ember Installation

(NOTE: Please make the installation according to the embers which you bought or selected.)

- A. Glass/Stainless steel front must be removed and the appliance must be mounted in its final location before the logset / crystal / pebble embers are installed.
- B. If your fireplace come with logset, remove the logset from the package, put it to the fireplace designed place.
- C. If your fireplace come with CLEAR CRYSTAL or PEBBLE MEDIA: Crystal or pebbles media may have a fine oil residue that needs to be cleaned prior to installation. Clean the them with mild dish soap, drain, rinse thoroughly and dry before placing into the tray.
- D. Place the plastic tray (G) to the fireplace designed place. Then carefully place crystal embers into the bottom tray on the front of the appliance as illustrated. Apply an even layer from side to side.





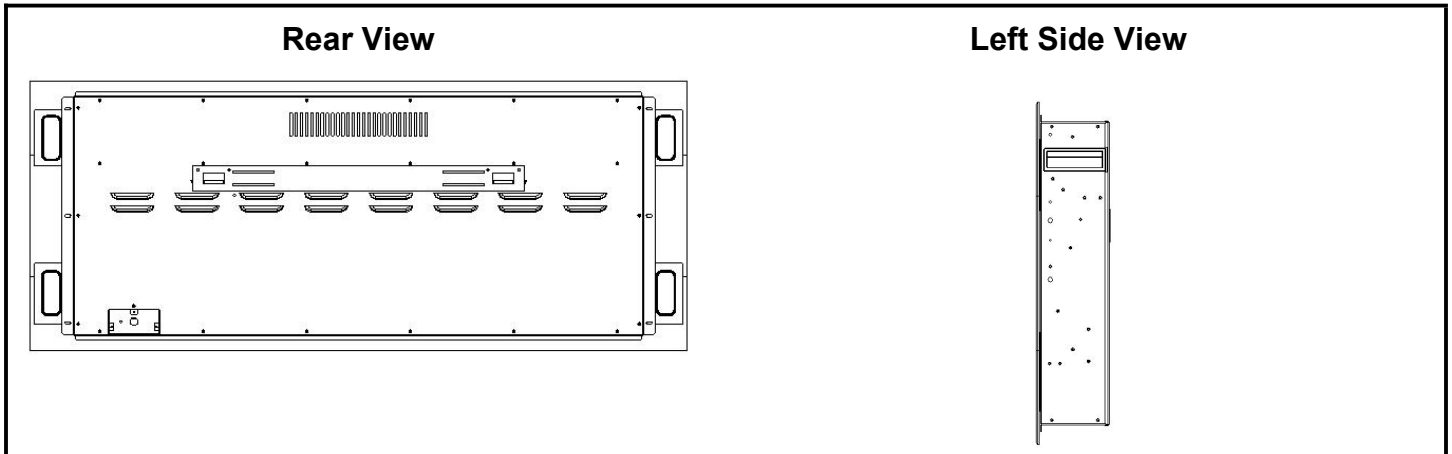
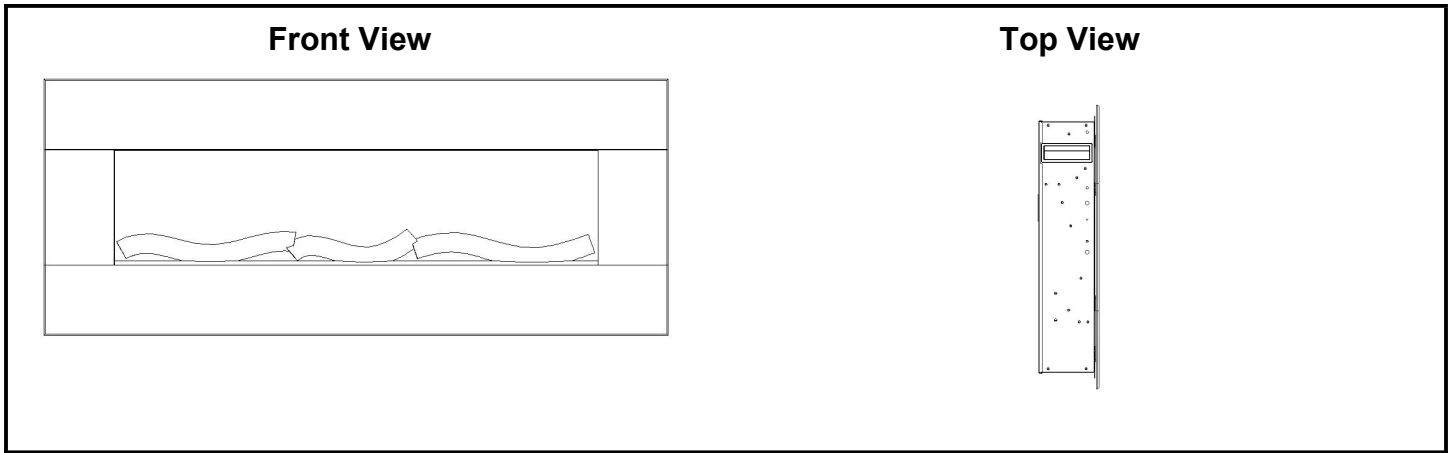
Operation



Read and understand this entire owner's manual, including **all safety information**, **before plugging in** or **using** this product. Failure to do so could result in **electric shock, fire, serious injury, or death.**

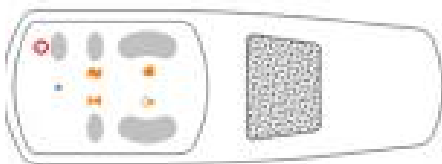
Methods of Operation



Before operating, please review the **IMPORTANT SAFETY INFORMATION** on **Pages 2 and 3**, and heed all warnings.






OPERATING INSTRUCTIONS

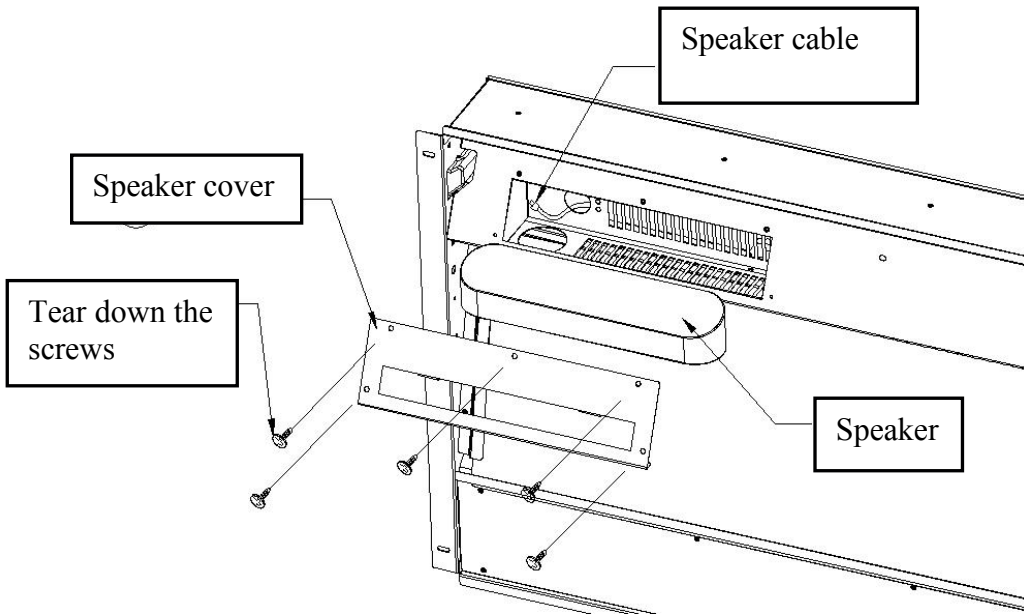
1. Operating panel switch and remote control



BUTTON	FUNCTION	ACTION & INDICATION
 POWER	Turns the appliance ON/OFF.	
 TIMER	Controls the Timer. 9 Settings: (0.5h, 1h, 1.5h, 2h, 2.5h, 3h, 3.5h, 4h, 4.5h、 5h, 5.5h, 6h、 6.5h, 7h, 7.5h) Press button until reach desired setting.	

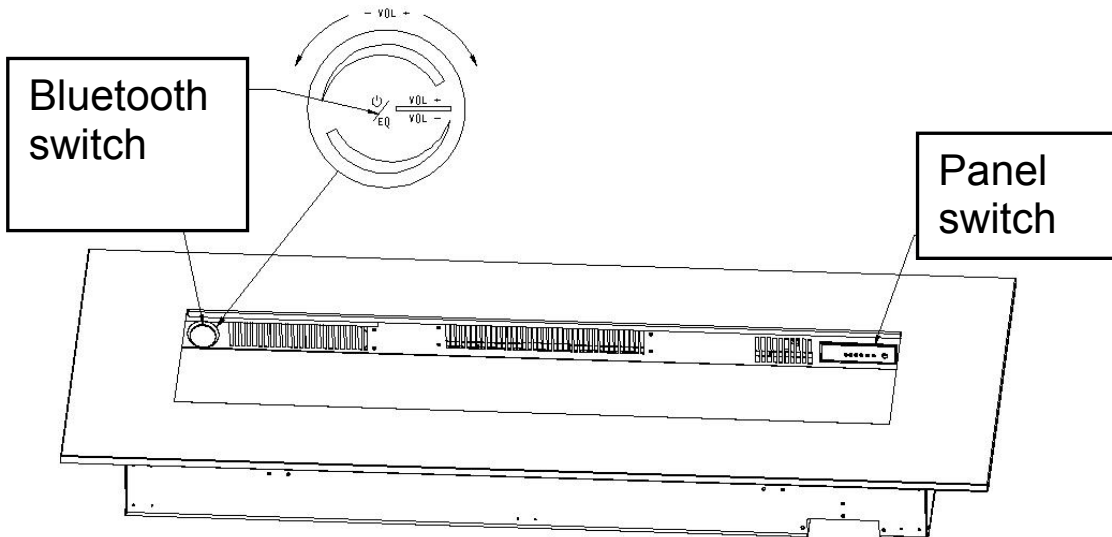
 COLOR	<p>COLOR button: Makes the color flame effect changing. NOTE: color effect stays on until power button is turned off. Color flame effect must be on for heater to turn on.</p>
 FLAME	<p>FLAME button: Makes flame effect dimmer and brighter. NOTE: Flame effect stays on until power button is turned off. Flame effect must be on for heater to turn on.</p>
 HEATER	<p>Controls the Heater. Press button to initiate the heater. (H0) no heater or blower. (H1), heater blows warm air (750W) (H2), heater blows hot air (1500W) (H0) no heater,blower will be off after10s. NOTE: Heater functions cycle from H0-H1-H2-H0, Press and hold the heater button for 5s, the heater and temperature setting will be locked onto the selected setting. Hold the button for 5s again, the heater will be unlocked.</p>
NOTICE	<p>When the heater is first turned on, a slight odor may be present. This is normal and should not occur again unless the heater is not used for a long period of time.</p>
NOTICE	<p>To improve operation, aim the remote control at the front of the fireplace. DO NOT press the buttons too quickly. Give the unit time to respond to each command.</p>

2. Speaker installation and removal



Tear down the screws on the speaker cover, Take out the speaker, Plug out the speaker cable, and cover the speaker

3. Bluetooth operation



3.1 Long press the speaker boot and connect the speaker with a Bluetooth device

3.2 Volume increases when rotate to the right, and decrease when rotate to the left

NOTE: This speaker does not contain batteries, it can not work independently, it need to access 5V charger

4. Bluetooth playback

Long press the button to boot - the default Bluetooth mode (voice prompts to wait for connection)

Phone Bluetooth On - Automatically searches for Bluetooth devices

Locate the name "MX-LY" Bluetooth device - Select Connect

Bluetooth audio voice prompt "Connection successful"

Note: Bluetooth connection default without password, if prompted for a password, enter 0000 to connect

The phone can be operated to play music

5. LED lights prompt

(Bluetooth on) red and blue light flashing alternately, waiting for connection; blue light, the connection is successful

(Audio charging) a long red light, charging in progress

NOTE:Please store the product under normal temperature. Do not cover it

Remote Control Battery Information

- This remote control uses **TWO AAA batteries (Not included)**.
- Instructions for battery installation are on the Remote Control battery compartment.



NEVER dispose of batteries in **fire**. Failure to observe this precaution **may result in an explosion**. Dispose of batteries at your local hazardous material processing center.

Temperature Limiting Control

This heater is equipped with a Temperature Limiting Control. Should the heater reach an unsafe temperature, the heater will automatically turn OFF. To reset:

1. Unplug the power cord from the outlet.
2. Turn the power switch on the touch display PANEL to off, **Wait 5 minutes**.
3. Inspect the fireplace to make sure no vents are blocked, or clogged with dust or lint. If they are, use a vacuum to clean the vent areas.
4. With the POWER switch in the OFF position, plug the power cord back into the outlet.
5. If the problem continues, have your outlet and wiring inspected by a professional.

Care and Maintenance

Cleaning



ALWAYS turn the heater **OFF** and **unplug the power cord from the outlet** before cleaning, performing maintenance, or moving this fireplace. Failure to do so could result in **electric shock, fire, or personal injury**.



NEVER immerse in **water** or **spray with water**. Doing so could result in **electric shock, fire, or personal injury**.

Metal:

- Buff using a soft cloth, slightly dampened with a citrus oil-based product.
- **DO NOT** use brass polish or household cleaners as these products will damage the metal trim.

Glass:

- Use a good quality glass cleaner sprayed onto the cloth or towel. Dry thoroughly with a paper towel or lint-free cloth.
- **NEVER** use abrasive cleansers, liquid sprays, or any cleaner that could scratch the surface.

Vents:

- Use a vacuum or duster to remove dust and dirt from the heater and vent areas.

Plastic:

- Wipe gently with a slightly damp cloth and a mild solution of dish soap and warm water.
- **NEVER** use abrasive cleansers, liquid sprays, or any cleaner that could scratch the surface.

Maintenance



Risk of electric shock! DO NOT OPEN any panels other than the bulb replacement plate! No user-serviceable parts inside!



ALWAYS turn the heater **OFF** and **unplug the power cord from the outlet** before cleaning, performing maintenance, or moving this fireplace. Failure to do so could result in **electric shock, fire, or personal injury.**

Electrical and Moving Parts:

- The fan motors are lubricated at the factory and will not require lubrication.
- Electrical components are integrated in the fireplace and are not serviceable by the consumer.

Storage: Store heater in a clean dry place when not in use.



WARNING! Other than replacing the light bulb, **NO SERVICING** of the internal or electrical parts should be performed by the consumer. Do not service the unit yourself.