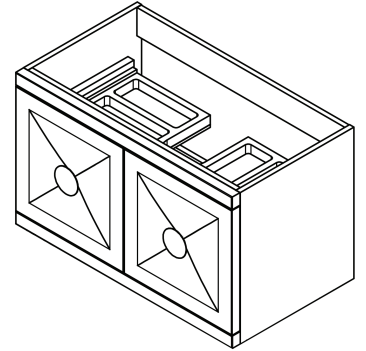
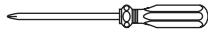


## THANK YOU FOR CHOOSING RYVYR

Please take a few minutes to review this manual before you start installation. If you encounter any installation problems, please don't hesitate to contact us. Before you begin, please observe all local building codes. Unpack the new product and inspect for damage. Please ensure the finished wall is straight and plumb and the floor is flat and perpendicular to the finished wall.



## SUGGESTED TOOLS AND MATERIALS



Phillips Screwdriver



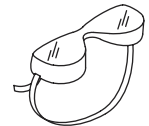
Level



Drill

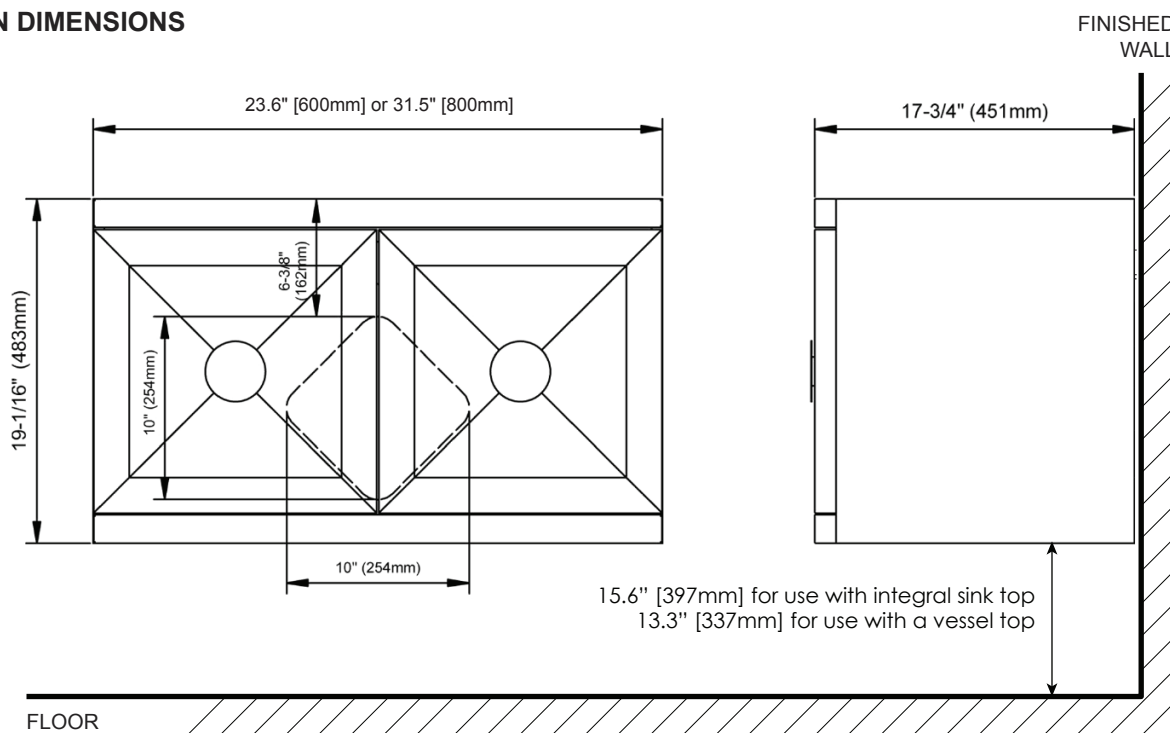


Tape Measure



Safety Glasses

## ROUGH-IN DIMENSIONS



## INSTALLATION INSTRUCTIONS - WALL-MOUNTED

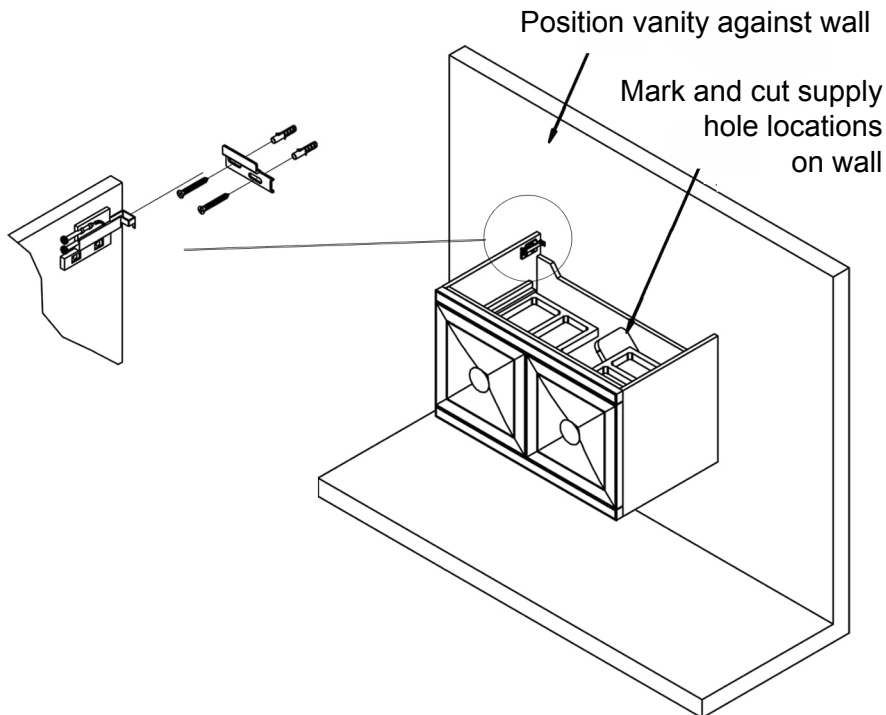
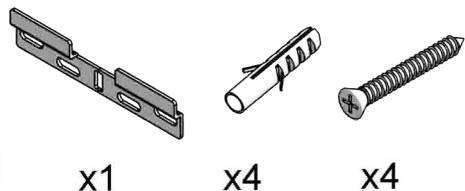
- Requires 2 people.
- Position the vanity against the finished wall. If necessary, turn the leg levelers to achieve proper the proper level.
- Position the vanity against the wall, aligning the supply and drain locations so that they fall within the vanity.
- Install the counter top, sink, drain and faucet according to the manufacturer's instructions.

## INSTALLATION INSTRUCTIONS - WALL-MOUNTED WITH DECORATIVE LEGS

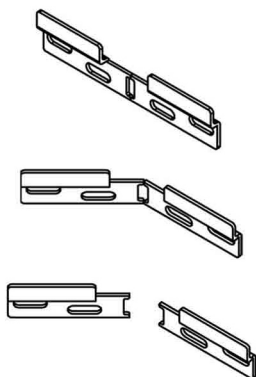
- Same as above.
- See leg instructions.

**NOTE:** When installing with legs, the vanity should be attached to the wall using a screw and anchor set or directly into the stud. The legs are decorative and not intended to fully support the vanity.

## FIXINGS

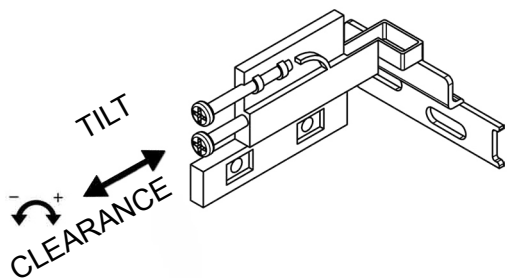


## SPLITTING PLATE

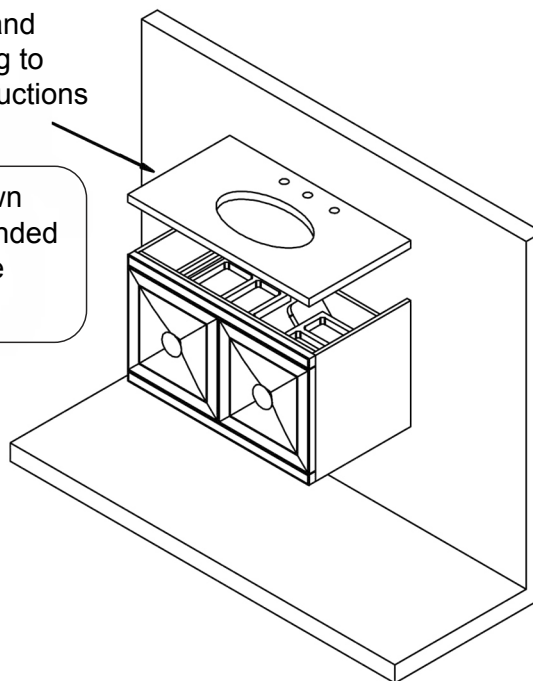


Install sink, faucet, and countertop according to manufacturer's instructions

## ADJUST



**\*\*NOTE:** Items shown are Ryvyr recommended components and are not included.



## CARE AND CLEANING

- To maintain the beauty of the finish, avoid placing the furniture in direct sunlight, as sunlight causes fading. Also avoid extreme changes in temperature by arranging furniture away from radiators, heat and air vents, and air conditioning units. Avoid placing furniture directly under windows. Damage caused by any of the afore mentioned will void the warranty.
- Clean the furniture frequently with a clean, soft, dry, lint-free cloth. Clean the surface by gently rubbing in the direction of the grain. Avoid using silicone cleaners and waxes.
- Clean up excess water and spills immediately. Use blotting rather than a wiping action. Water left over a long period of time will cause white spots in the finish and the furniture to possibly warp. Please note that some chemicals may damage the finish. Standing water and the use of strong chemicals will void the warranty.