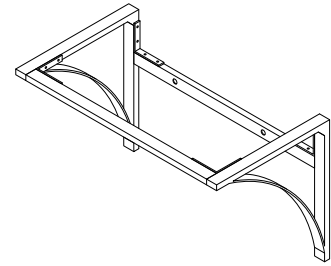


## THANK YOU FOR CHOOSING RYVYR

Please take a few minutes to review this manual before you start installation. If you encounter any installation problems, please don't hesitate to contact us. Before you begin, please observe all local building codes. Unpack the new product and inspect for damage. The appearance of your product may differ from the illustrations in this guide. These instructions still apply. Please ensure the finished wall is straight and plumb and the floor is flat and perpendicular to the finished wall.



## SUGGESTED TOOLS AND MATERIALS



Phillips Screwdriver



Level



Drill



Tape Measure



Safety Glasses

## PARTS / HARDWARE INCLUDED



4x



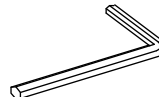
4x



2x



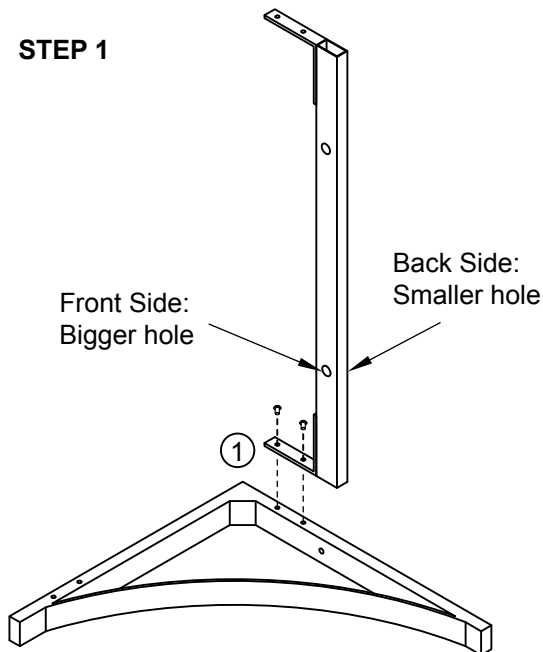
8x



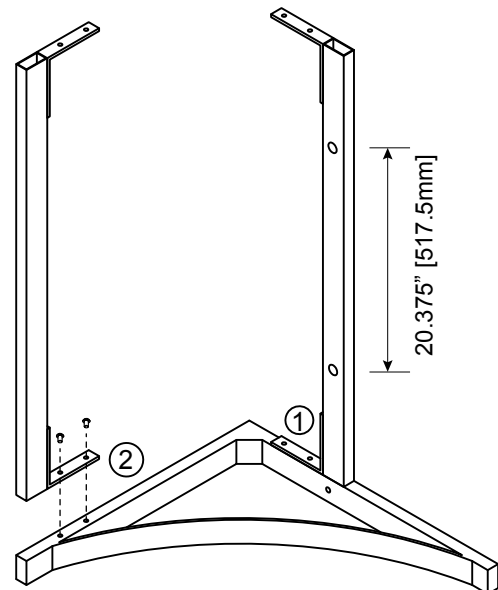
1x

## BRACKET INSTALLATION

### STEP 1



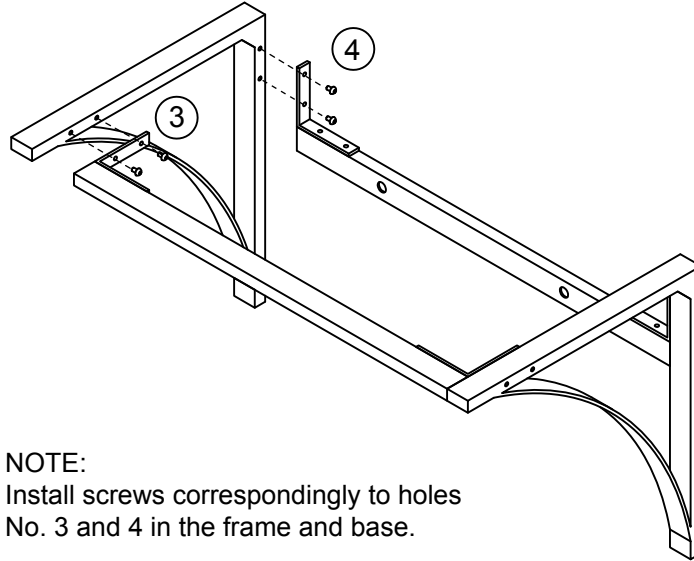
### STEP 2



---

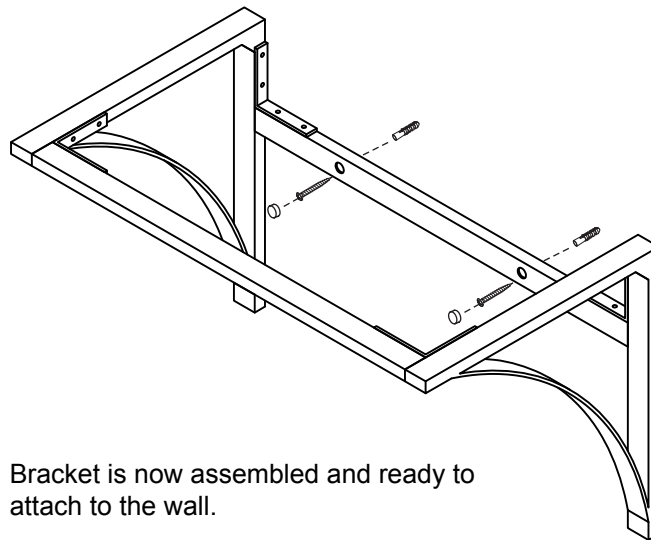
## BRACKET INSTALLATION, cont.

### STEP 3



**NOTE:**  
Install screws correspondingly to holes  
No. 3 and 4 in the frame and base.

### STEP 4



Bracket is now assembled and ready to  
attach to the wall.

Consider the thickness of the sink top, or  
vessel top with vessel, when determining  
the height to install your bracket.

Common finished height to top, used on  
floor mounted vanities, is 34".

---

## CARE AND CLEANING

- Clean the bracket with a soft, slightly damp cloth. When cleaning the bracket and/or shelf, spray with a glass cleaner and wipe clean. Avoid using silicone cleaners and waxes.