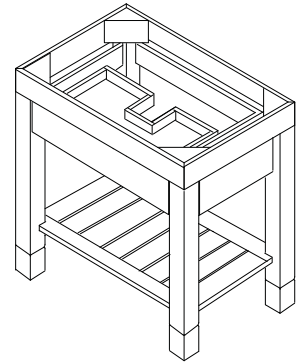


THANK YOU FOR CHOOSING RYVYR

Please take a few minutes to review this manual before you start installation. If you encounter any installation problems, please don't hesitate to contact us. Before you begin, please observe all local building codes. Unpack the new product and inspect for damage. The appearance of your vanity may differ from the illustrations in this guide. These instructions still apply. Please ensure the finished wall is straight and plumb and the floor is flat and perpendicular to the finished wall.



SUGGESTED TOOLS AND MATERIALS



Phillips Screwdriver



Level



Drill



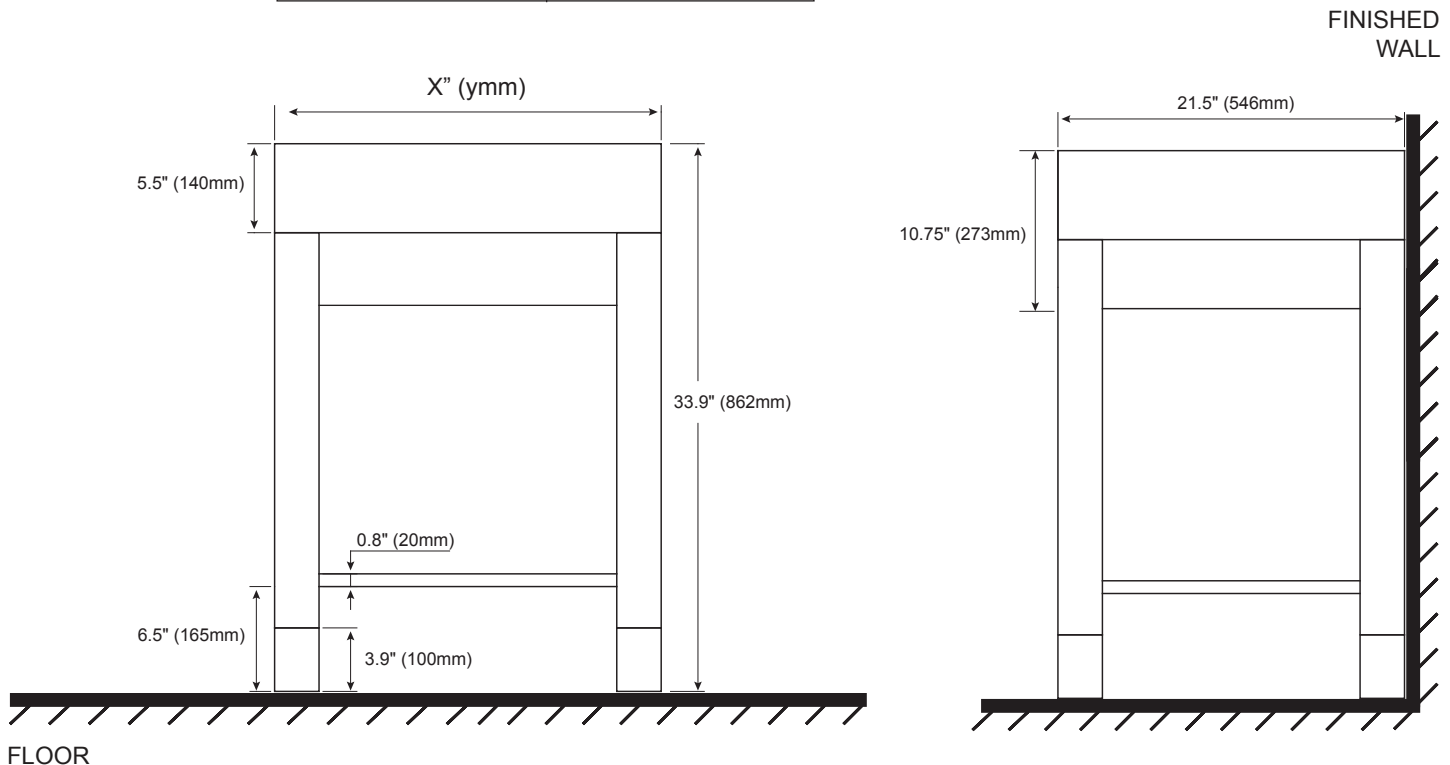
Tape Measure

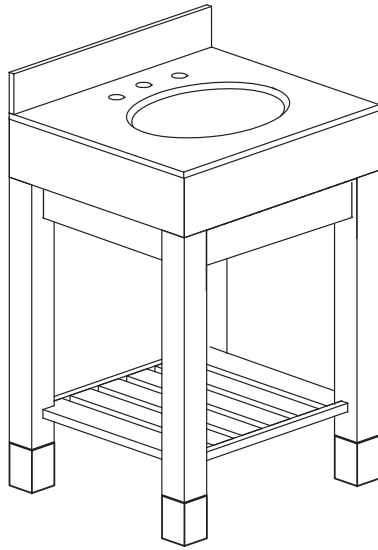


Safety Glasses

ROUGHING-IN

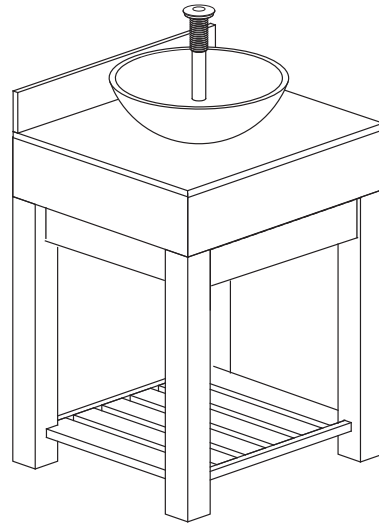
| Model # | X | Y |
|---------------|-----|--------|
| V-INDUS2-24DW | 24" | 610mm |
| V-INDUS2-30DW | 30" | 762mm |
| V-INDUS2-36DW | 36" | 914mm |
| V-INDUS2-48DW | 48" | 1219mm |





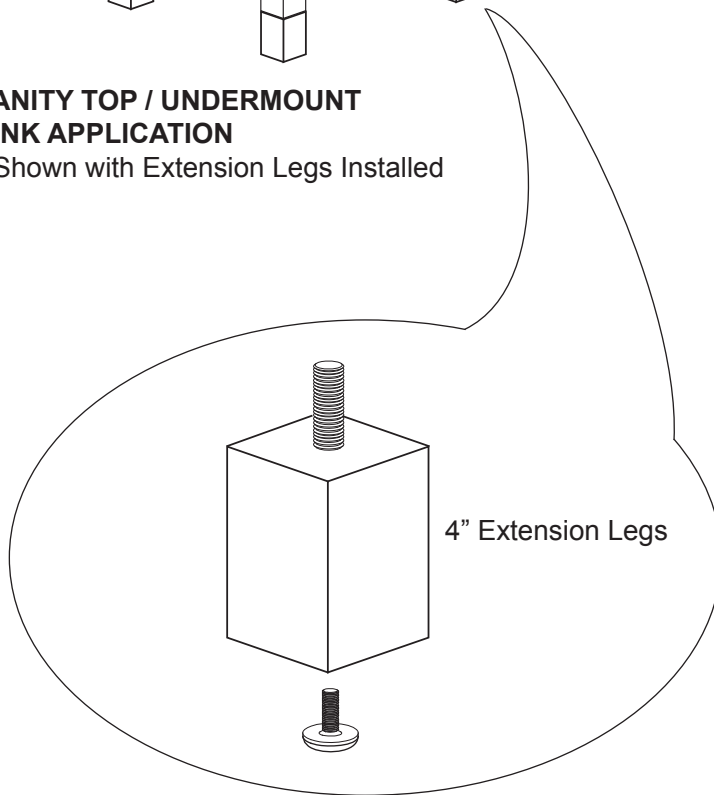
**VANITY TOP / UNDERMOUNT
SINK APPLICATION**

* Shown with Extension Legs Installed



VESSEL SINK APPLICATION

* Shown with Extension Legs Removed



INSTALLATION INSTRUCTIONS

- Position the vanity against the finished wall. If necessary, turn the leg levelers to achieve level.
- The vanity legs are removable per your installation needs.
- Mark the supply and drain locations on the inside of the vanity back wall.
- Move the vanity away from the wall and cut the marked supply and drain locations from inside.
- Position the vanity against the wall, aligning the supply and drain locations with the cut holes.
- Install the countertop, sink, drain and faucet according to the manufacturer's instructions.

CARE AND CLEANING OF VANITY

Dust the vanity frequently with a clean, soft, dry, lint-free cloth, as well as polish it on a regular basis. Clean the surface by rubbing in the direction of the grain. Avoid using silicone cleaners and waxes.

Clean up excess water and spills immediately. Use blotting rather than a wiping action. Water left over a long period of time will cause white spots in the finish. Please note that some chemicals may damage the finish.