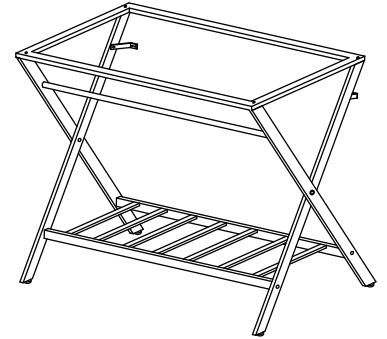


THANK YOU FOR CHOOSING RYVYR

Please take a few minutes to review this manual before you start installation. If you encounter any installation problems, please don't hesitate to contact us. Before you begin, please observe all local building codes. Unpack the new product and inspect for damage. The appearance of your vanity may differ from the illustrations in this guide. These instructions still apply. Please ensure the finished wall is straight and plumb and the floor is flat and perpendicular to the finished wall.



SUGGESTED TOOLS AND MATERIALS



Phillips Screwdriver



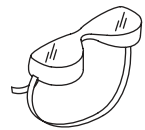
Level



Drill



Tape Measure



Safety Glasses

PARTS / HARDWARE INCLUDED



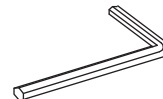
4x



4x

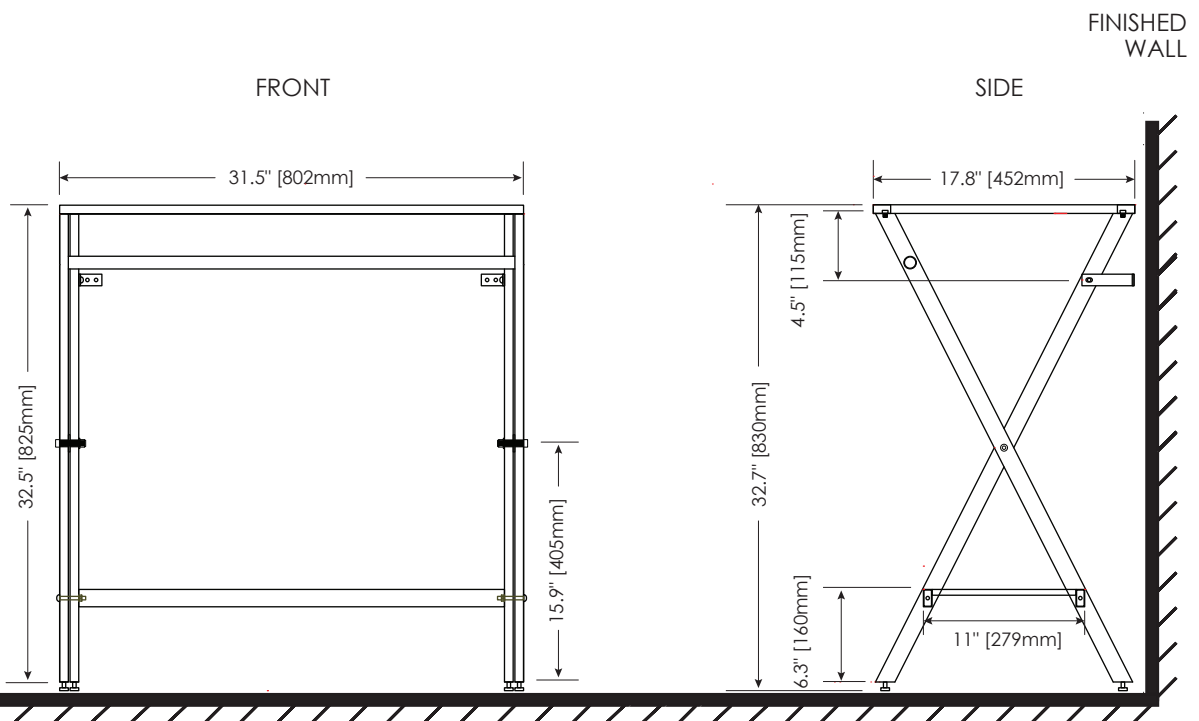


M6 x 25 6x



2x

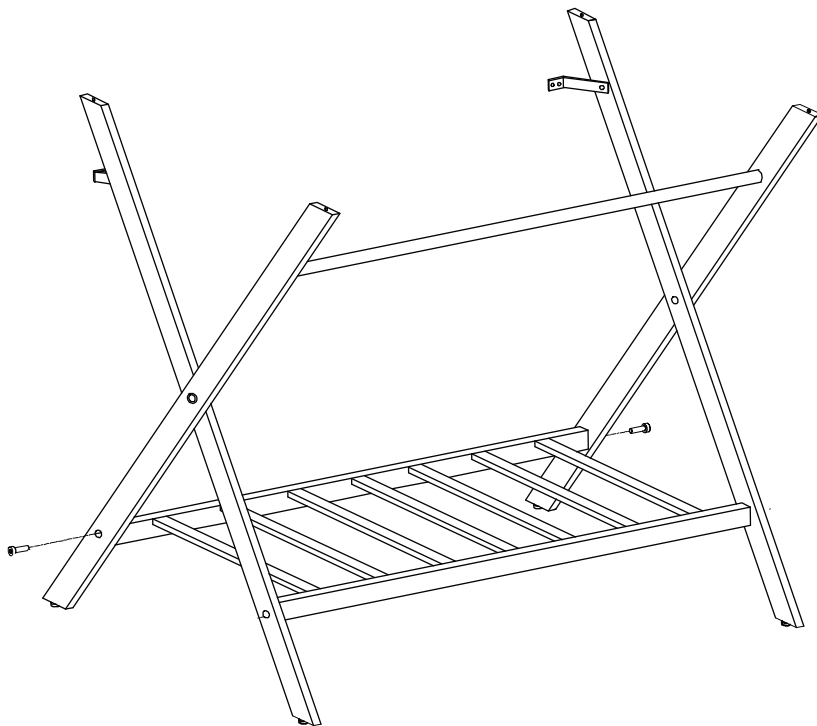
ROUGH-IN DIMENSIONS



VANITY INSTALLATION, cont.

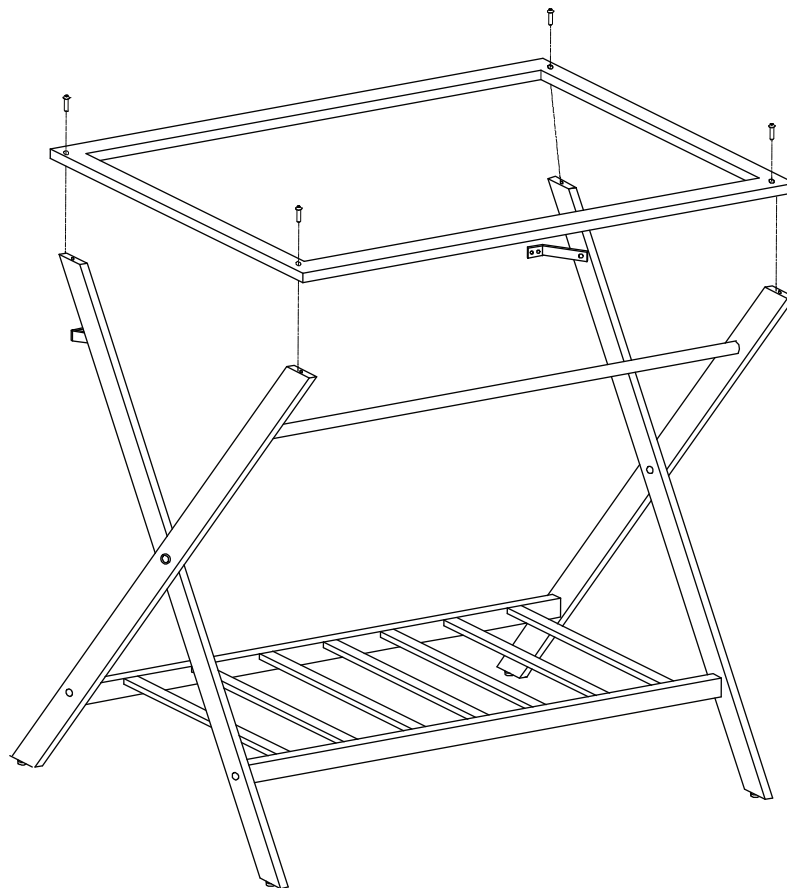
1.

Tighten two screws
on side of shelf.

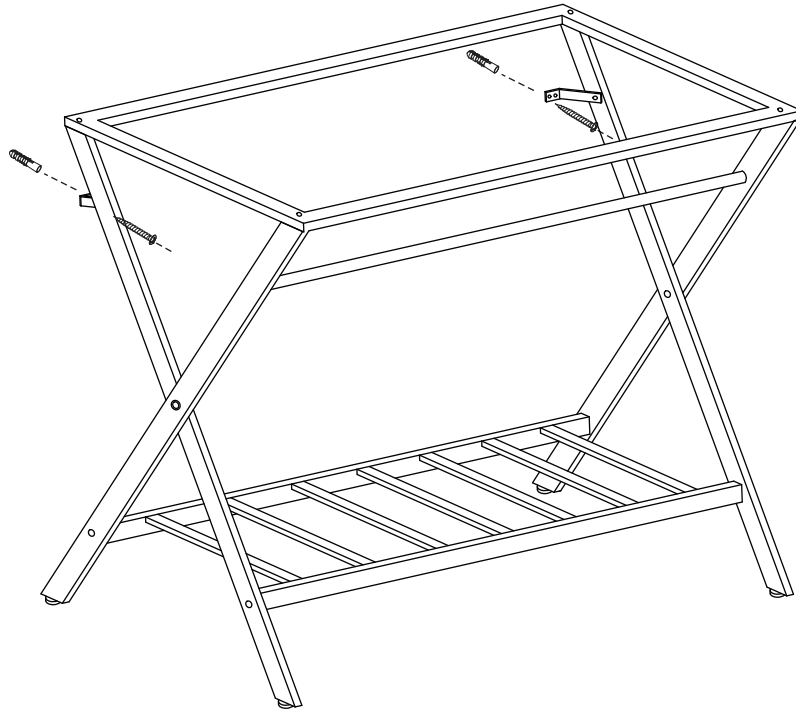


2. Attach top.

Put the top frame on and
tighten the four screws in
the corners.



VANITY INSTALLATION, cont.



3. Attach to the wall.

For additional support, it is recommended that the vanity be anchored to the wall utilizing the hardware supplied. Where possible, wood blocking should be used to provide support to the unit. If not possible, a stud should be used as an anchor. This will provide additional wall support for the size and weight of the vanity and the countertop.

4. Ready to add the countertop.

Please follow the installation instructions that come with the countertop.

CARE AND CLEANING

- Clean the vanity with a soft, slightly damp cloth or spray with a glass cleaner and wipe clean.
- Avoid using silicone cleaners and waxes.
- Please note that some strong or abrasive chemicals may damage the finish and will void the warranty.