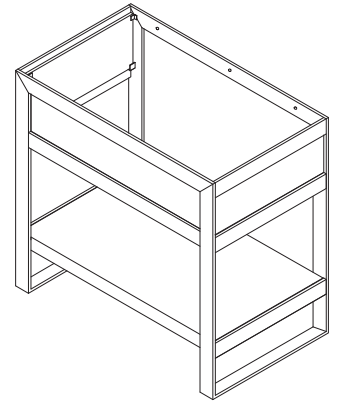


## THANK YOU FOR CHOOSING RYVYR

Please take a few minutes to review this manual before you start installation. If you encounter any installation problems, please don't hesitate to contact us. Before you begin, please observe all local building codes. Unpack the new product and inspect for damage. The appearance of your vanity may differ from the illustrations in this guide. These instructions still apply. Please ensure the finished wall is straight and plumb and the floor is flat and perpendicular to the finished wall.



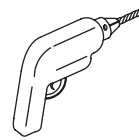
## SUGGESTED TOOLS AND MATERIALS



Phillips Screwdriver



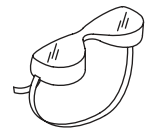
Level



Drill



Tape Measure



Safety Glasses

## PARTS / HARDWARE INCLUDED



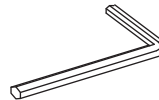
3x



3x



8x



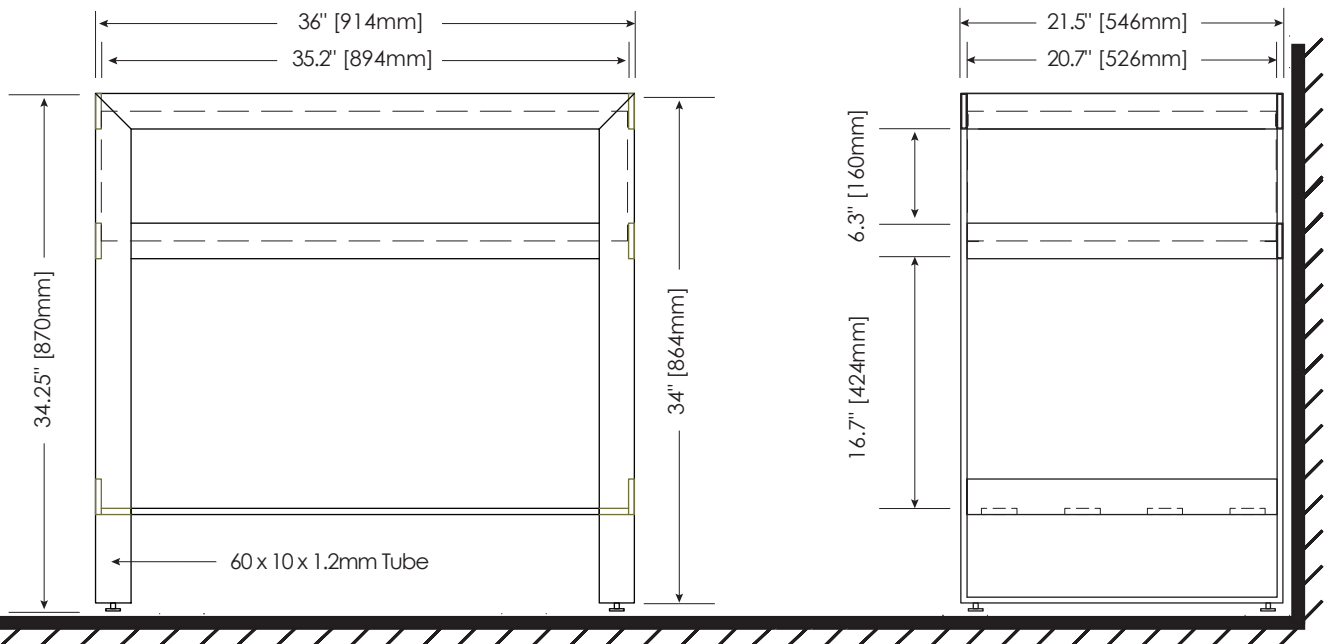
1x

## ROUGH-IN DIMENSIONS

FRONT

SIDE

FINISHED WALL

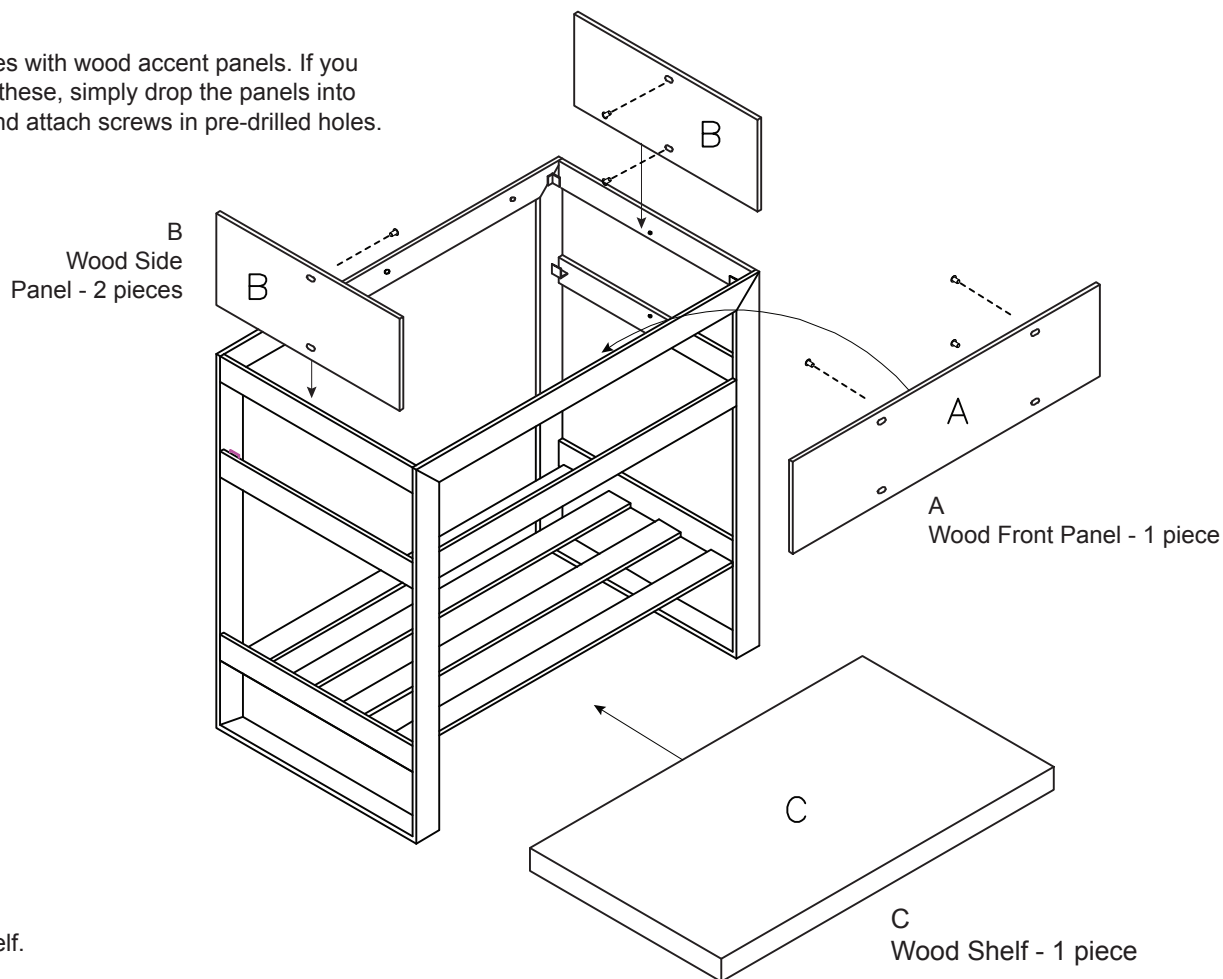


FLOOR

## VANITY INSTALLATION, cont.

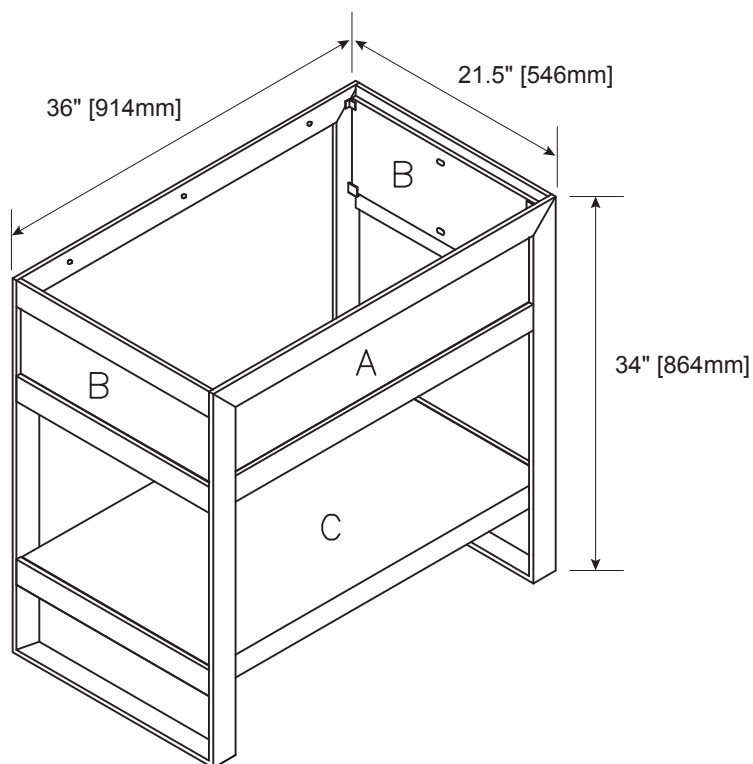
### STEP 1

The unit comes with wood accent panels. If you desire to use these, simply drop the panels into the holders and attach screws in pre-drilled holes.



### STEP 2

Add wood shelf.



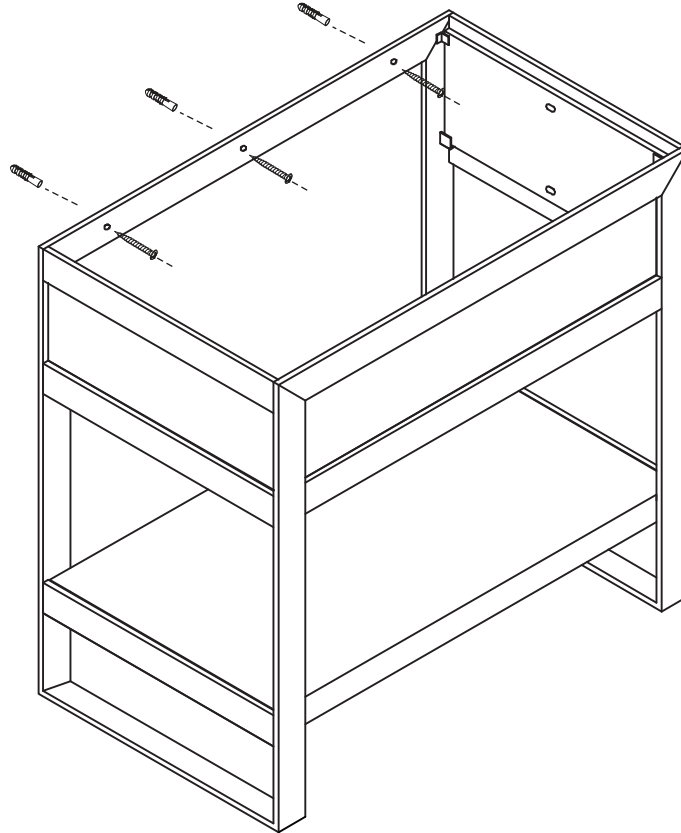
---

## VANITY INSTALLATION, cont.

### STEP 3

Vanity is ready to attach to the wall.

For additional support, it is recommended that the vanity be anchored to the wall utilizing the hardware supplied. Where possible, wood blocking should be used to provide support to the unit. If not possible, a stud should be used as an anchor. This will provide additional wall support for the size and weight of the vanity and the countertop.



---

### CARE AND CLEANING OF WOOD PANELS AND SHELF

- To maintain the beauty of the finish, avoid placing the furniture in direct sunlight, as sunlight causes fading. Also avoid extreme changes in temperature by arranging furniture away from radiators, heat and air vents, and air conditioning units. Avoid placing furniture directly under windows. Damage caused by any of the afore mentioned will void the warranty.
- Clean the furniture frequently with a clean, soft, dry, lint-free cloth. Clean the surface by gently rubbing in the direction of the grain. Avoid using silicone cleaners and waxes.
- Clean up excess water and spills immediately. Use blotting rather than a wiping action. Water left over a long period of time will cause spots in the finish and the furniture to possibly warp. Please note that some chemicals may damage the finish. Standing water and the use of strong chemicals will void the warranty.

### CARE AND CLEANING OF METAL FRAME

- Clean the vanity with a soft, slightly damp cloth or spray with a glass cleaner and wipe clean.
- Avoid using silicone cleaners and waxes.
- Please note that some strong or abrasive chemicals may damage the finish and will void the warranty.