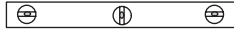


### SUGGESTED TOOLS AND MATERIALS



Clear Silicone Sealant



Level

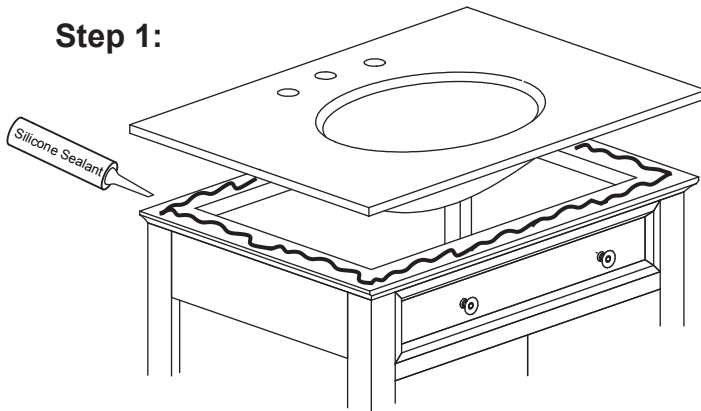


Tape Measure



Safety Glasses

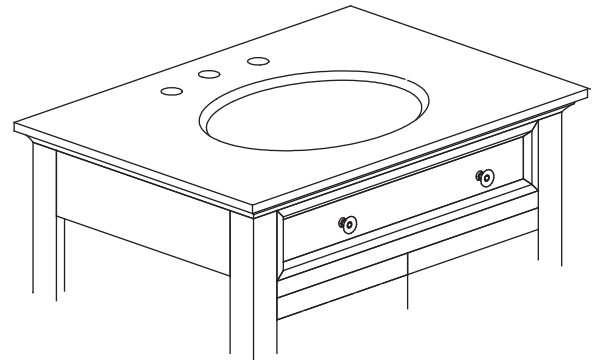
#### Step 1:



Apply bead of quality clear silicon sealant evenly along the top of the vanity.

**\*\* NOTE:** Top style, shape, cutout on top, vanity may vary from the picture above. Instructional purposes only.

#### Step 2:



Finally, place the bottom side of back splash with sealant onto the countertop and check alignment of back splash. Adjust the leg levelers as needed.

### GLASS TOP INSTALLATIONS

1. Install the cabinet / vanity according to the cabinet / vanity manufacturer
2. Check to make sure the vanity top sits level on top of the vanity
3. Apply silicone sealant to the top of cabinet / vanity as shown above
4. Install faucet and drain assembly per the manufacturers' instructions

### CARE AND CLEANING

For best results in caring for your glass top, we suggest:

- Always wipe off spills immediately
- Never use a strong / abrasive cleaner. Always test your cleaning solution on an unnoticeable area before applying it to the entire surface.
- Wipe surfaces clean, immediately after applying cleaner
- Do not allow the cleaner to sit or soak. Never let cleaners sit on the surface of the lavatory.
- Use a soft, dampened sponge or cloth. Never use an abrasive material such as a brush or scouring pad to clean surfaces, they will scratch the lavatory surface.
- Always rinse and wipe clean the fixtures to prevent soap buildup