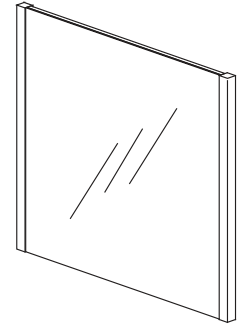
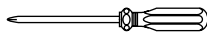


## THANK YOU FOR CHOOSING RYVYR

Please take a few minutes to review this manual before you start installation. If you encounter any installation problems, please don't hesitate to contact us. Before you begin, please observe all local building codes. Unpack the new product and inspect for damage. The appearance of your mirror may differ from the illustrations in this guide. These instructions still apply. Please ensure the finished wall is straight and plumb and the floor is flat and perpendicular to the finished wall.



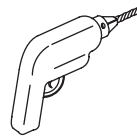
## SUGGESTED TOOLS AND MATERIALS



Phillips Screwdriver



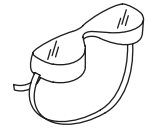
Level



Drill



Tape Measure



Safety Glasses

## PARTS / HARDWARE INCLUDED



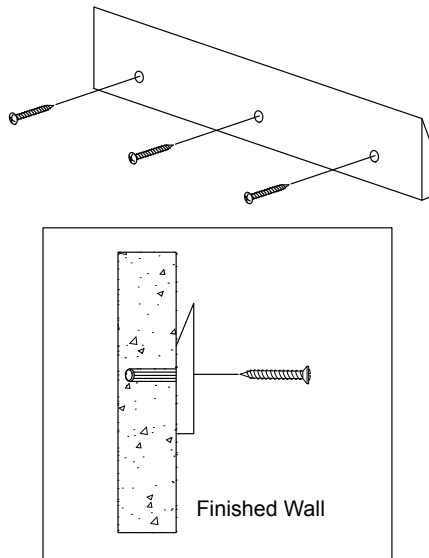
3x



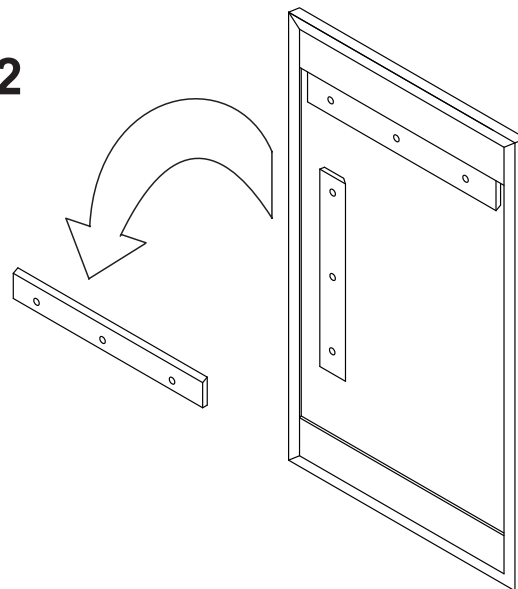
3x

## MIRROR INSTALLATION

1



2



**NOTE:** Where possible, try to affix a stud or provide adequate wall support for the size and weight of the mirror. Mirror comes with pre-attached brackets on the frame and a wall mount cleat. Affix the cleat to the wall in the desired location by pre-drilling the cleat and then affixing the cleat using the proper fastening, based upon wall material.

## CARE AND CLEANING

- To maintain the beauty of the finish, avoid placing the furniture in direct sunlight, as sunlight causes fading. Also avoid changes in temperature by arranging furniture away from radiators, heat and air vents, and air conditioning units. Avoid placing directly under windows.
- Clean the mirror using a soft, slightly damp cloth. When cleaning the mirror, spray the mirror with a glass cleaner and wipe clean. Avoid using silicone cleaners and waxes.