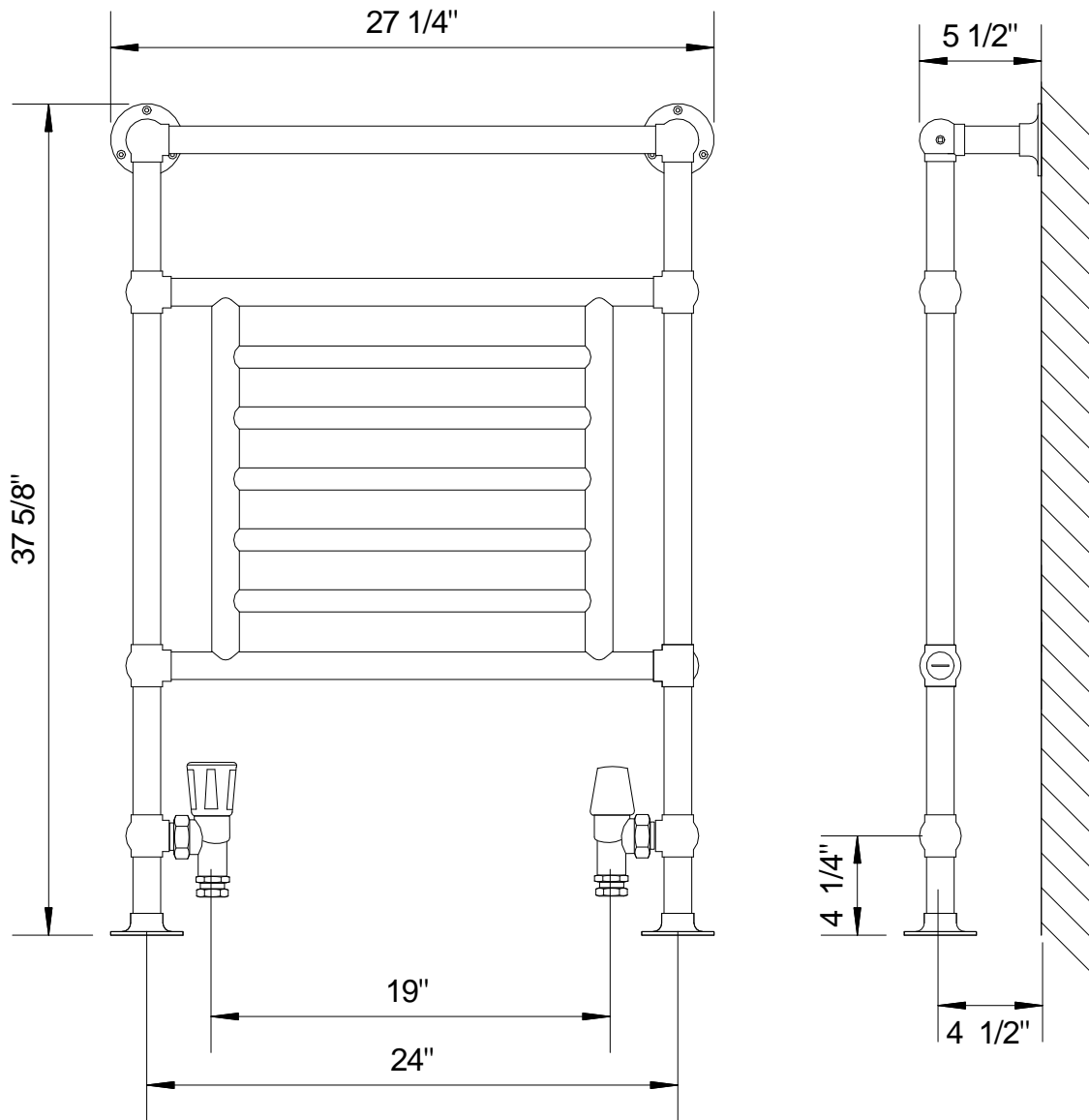




Awe B27-1 Traditional HYDRONIC

Technical Information

- . Dezincification Resistant Brass
- . 1-1/4" Diameter Brass Tubing
- . 1/2" Copper rough-in
- . Modern Valves
- . 1080 BTUH @ 155 EWT
- . 55 lbs.



B27-1
No Scale

REV A 9/15/09
REV B 2/21/11