

### BEFORE YOU BEGIN

- Observe all local plumbing and building codes.
- Follow these instructions only if it applies to your installation.
- Before installation, carefully inspect it for damage. Return the vanity top to its packaging until you are ready to install it.
- These instructions contain important care and cleaning instructions. Please review these instructions carefully.

### SUGGESTED TOOLS AND MATERIALS



Phillips Screwdriver



Silicon Sealant



Tape Measure



Safety Glasses

### PARTS / HARDWARE INCLUDED



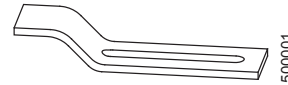
4x



4x



4x



4x

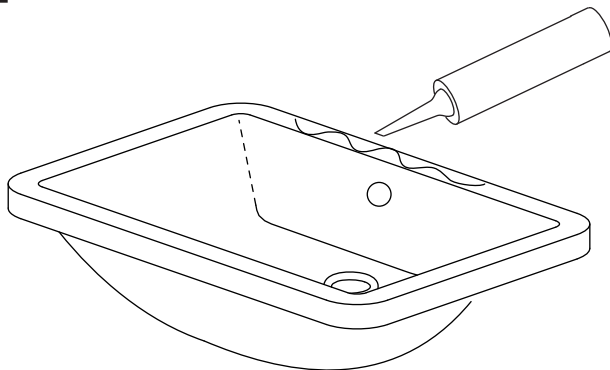
### SINK INSTALLATION



**CAUTION!** Risk of product damage. Do not use plumbers putty or oil-based sealers with this vanity top. These products will stain surfaces permanently.

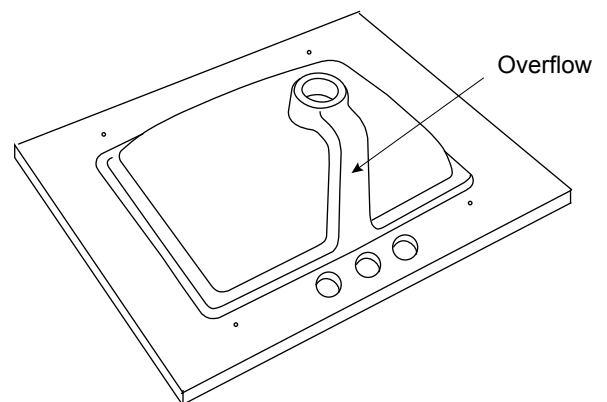
**\*\*NOTE:** Sink style, shape, and cutout on top may vary from the pictures. Instructional Purposes only.

1



Apply a continuous bead of quality sealant to the surface (rim) of the sink.

2



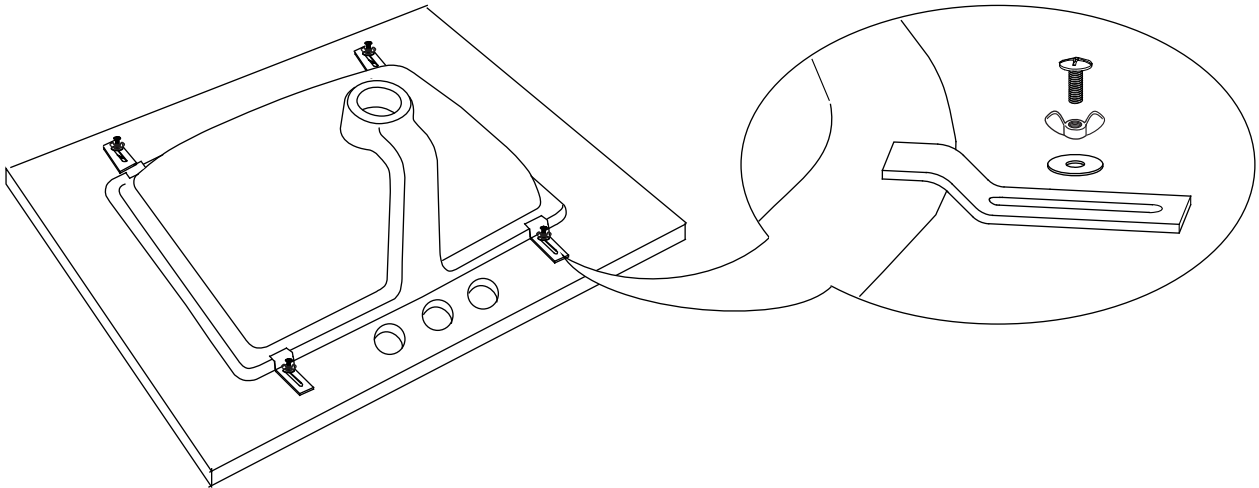
Turn the vanity top upside down and place it on a clean, scratch-resistant surface.

Center the sink over the cutout (the overflow for this model will be on the same side as the faucet)

---

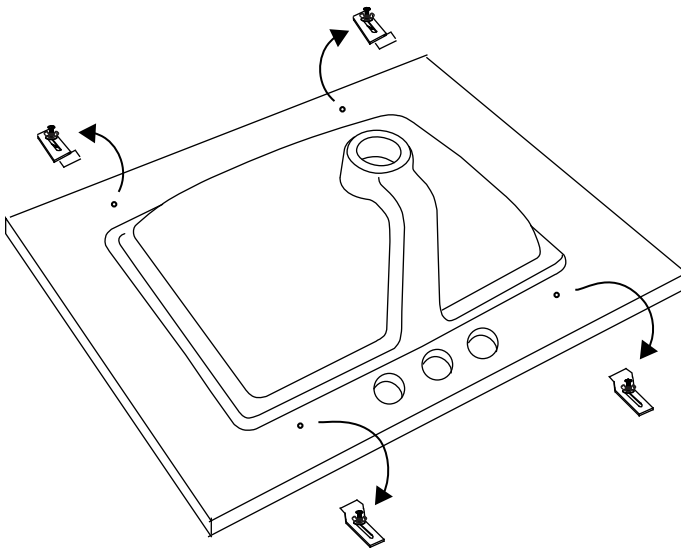
## SINK INSTALLATION, cont.

3



Secure the sink to the top using the mounting kit / hardware provided and let silicone sealant set for 24 hours.

4



### FOR USE WITH RYVYR DOUBLE VANITIES - PLEASE NOTE:

When used with Ryvyr 61" double vanity tops, GRUT61RBK and MAUT61RWT, it will be necessary for the clamps to be removed for the vanity top, with attached undermount sink, to sit flush on the vanity cabinet.

Optional: Removal of the clamps may be necessary for some vanity tops with attached undermount sinks to sit flush on the top of the vanity cabinet (such as those specifically called out above). For all others, the clamps can be left in place if they do not interfere with the positioning of the vanity top and attached undermount sink. If the clamps are to be left in place, it may not be necessary to let the silicone sealant set for the full 24 hours.

---

## CARE AND CLEANING

- Never use a strong / abrasive cleaner. Always test your cleaning solution on an unnoticeable area before applying it to the entire surface.
- Wipe surfaces clean, immediately after applying cleaner.
- Do not allow the cleaner to sit or soak. Never let cleaners sit on the surface of the lavatory.
- Use a soft, dampened sponge or cloth. Never use an abrasive material such as a brush or scouring pad to clean surfaces. They will scratch the lavatory surface.
- Always rinse and wipe clean the fixtures to prevent soap buildup.