

AQUABRASS

regency 7304

wallmount cradle tub filler with handshower



FEATURES

- Solid brass construction
- Cascading water flow
- Lever diverter valve
- Single spray handshower
- 5' brass hose
- Ceramic cartridge # hot ABCA30911 cold ABCA30921
- 3/4" NPT female connection

FINISHES

Standard

- polished chrome (pc)
- brushed nickel (bn)

Custom

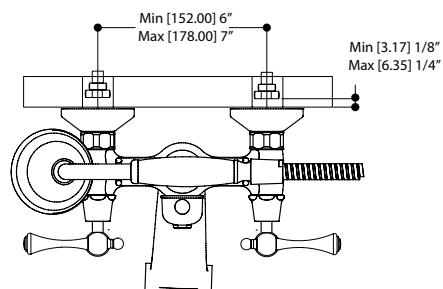
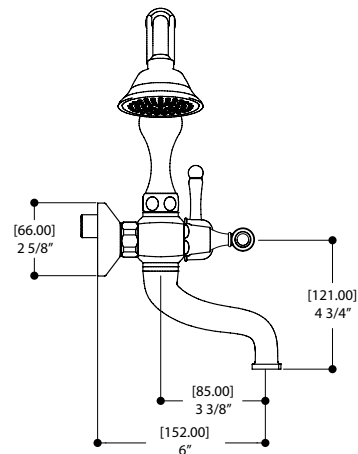
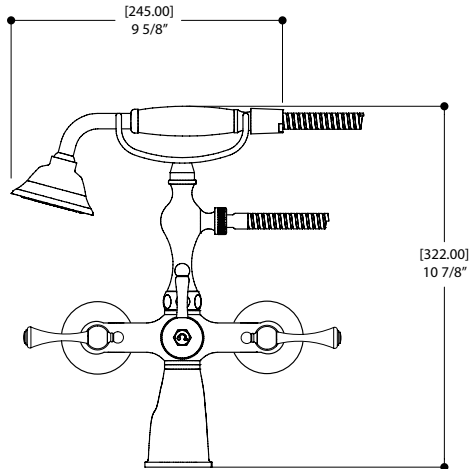
- 15 custom finishes available
- (ask your local Aquabrace authorized dealer for details)

WARRANTY

- Residential: Limited lifetime warranty to original purchaser
- Commercial: Two years warranty
- (Complete warranty available at www.aquabrace.com/warranty)

SPECS AT LARGE

- Overall spout projection: 6 5/8"
- CC spout projection: 3 3/8"
- Total height: 10 7/8"
- Flow rate tub filler: 10 gpm
- Flow rate handshower: 2.5 gpm
- Mounting hole: 1 3/8"



Aquabrace cannot be held responsible for any technical or typographical errors or omissions contained within this document and reserves the right to make changes without prior notice.

Last revision: 08/05/2017

aquabrace.com