

Plymouth Collection

33 Inch Single Bowl Undermount
Granite Composite Kitchen Sink

model:

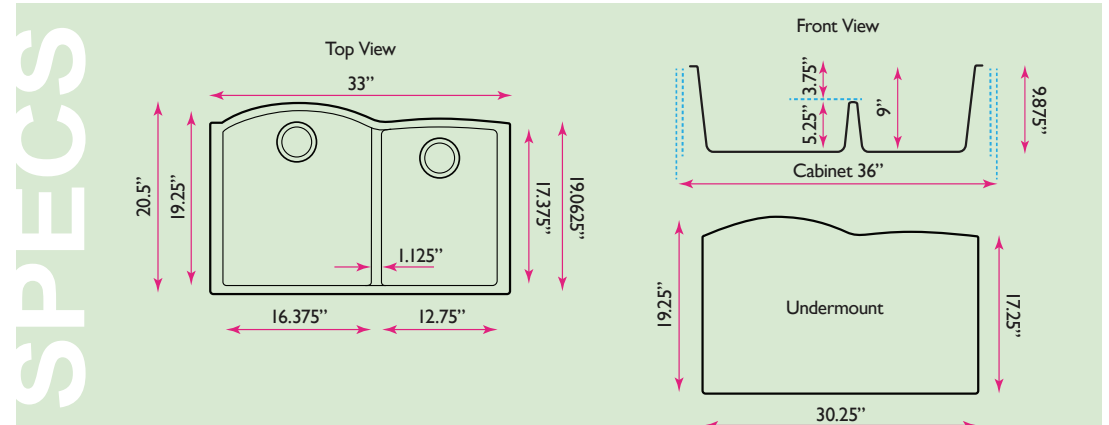
PR6040-W-UM



Nantucket

S I N K S

www.NantucketSinksUSA.com
info@nantucketsinksusa.com



OVERALL DIMENSIONS	INTERIOR BOWLS	BOWL DEPTH	DRAIN DIMENSIONS	BOTTOM GRID
33" x 20.5"	19.25" x 16.375" Large 17.375" x 12.75" Small	9"	3.5" Standard Opening	Not Included

FEATURES:

- High Quality 80% stone and 20% acrylic polymers in matte finish with metallic flecks
- Scratch/Heat Resistant to 560°F Degrees
- Hygienic Non-Porous Surface
- Material is sound absorbing and stain-resistant
- Undermount Installation Clips Included
- Limited Lifetime Manufacturer's Warranty
- Professional Installation Recommended

Project Name: _____

Architect / Contractor: _____

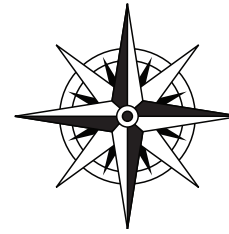
Job Notes: _____

Plymouth Collection

33 Inch Single Bowl Undermount
Granite Composite Kitchen Sink

model:

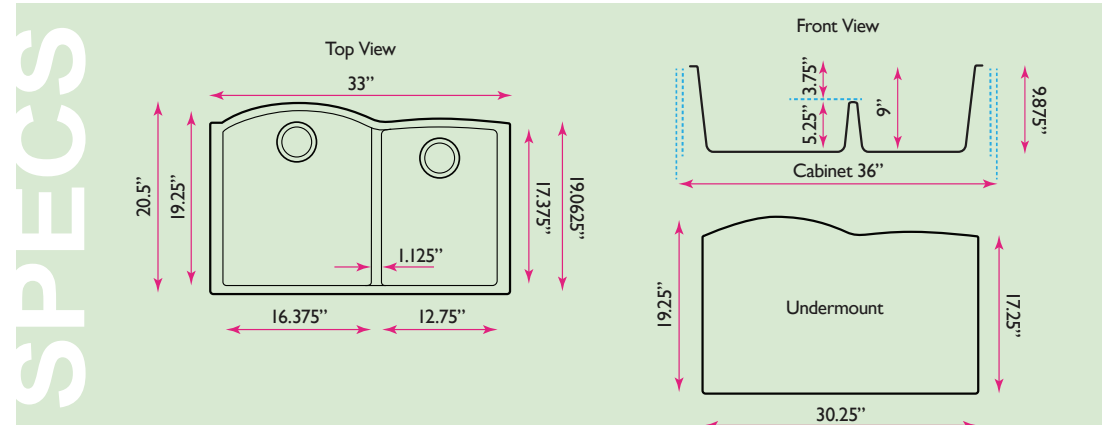
PR6040-TR-UM



Nantucket

S I N K S

www.NantucketSinksUSA.com
info@nantucketsinksusa.com



OVERALL DIMENSIONS	INTERIOR BOWLS	BOWL DEPTH	DRAIN DIMENSIONS	BOTTOM GRID
33" x 20.5"	19.25" x 16.375" Large 17.375" x 12.75" Small	9"	3.5" Standard Opening	Not Included

FEATURES:

- High Quality 80% stone and 20% acrylic polymers in matte finish
- Scratch/Heat Resistant to 560°F Degrees
- Hygienic Non-Porous Surface
- Material is sound absorbing and stain-resistant
- Undermount Installation Clips Included
- Limited Lifetime Manufacturer's Warranty
- Professional Installation Recommended

Project Name: _____

Architect / Contractor: _____

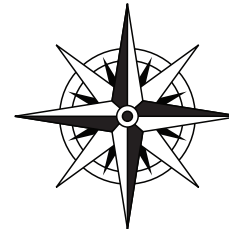
Job Notes: _____

Plymouth Collection

33 Inch Single Bowl Undermount
Granite Composite Kitchen Sink

model:

PR6040-S-UM

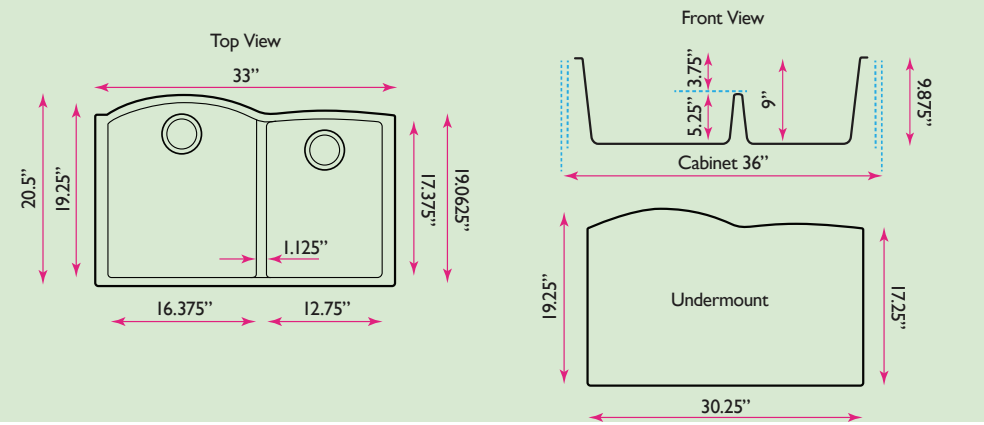


Nantucket
S I N K S

www.NantucketSinksUSA.com
info@nantucketsinksusa.com



SPECS



OVERALL DIMENSIONS	INTERIOR BOWLS	BOWL DEPTH	DRAIN DIMENSIONS	BOTTOM GRID
33" x 20.5"	19.25" x 16.375" Large 17.375" x 12.75" Small	9"	3.5" Standard Opening	Not Included

FEATURES:

- High Quality 80% stone and 20% acrylic polymers in matte finish
- Scratch/Heat Resistant to 560°F Degrees
- Hygienic Non-Porous Surface
- Material is sound absorbing and stain-resistant
- Undermount Installation Clips Included
- Limited Lifetime Manufacturer's Warranty
- Professional Installation Recommended

Project Name: _____

Architect / Contractor: _____

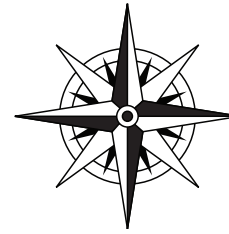
Job Notes: _____

Plymouth Collection

33 Inch Single Bowl Undermount
Granite Composite Kitchen Sink

model:

PR6040-TI-UM

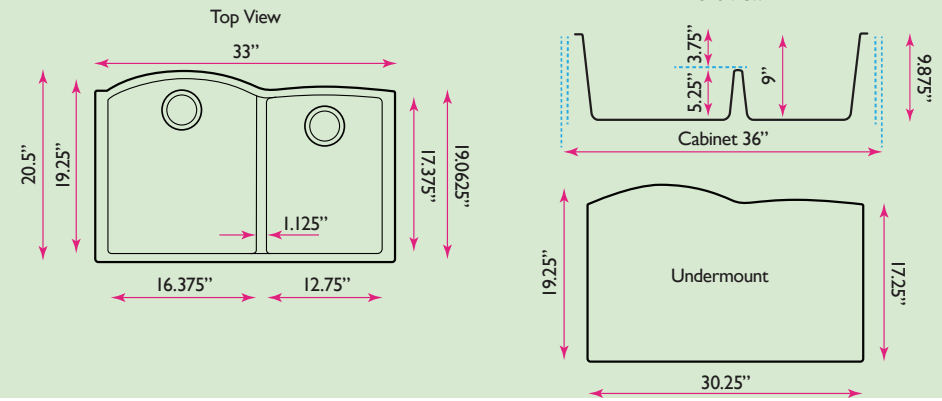


Nantucket
S I N K S

www.NantucketSinksUSA.com
info@nantucketsinksusa.com



SPECS



OVERALL DIMENSIONS	INTERIOR BOWLS	BOWL DEPTH	DRAIN DIMENSIONS	BOTTOM GRID
33" x 20.5"	19.25" x 16.375" Large 17.375" x 12.75" Small	9"	3.5" Standard Opening	Not Included

FEATURES:

- High Quality 80% stone and 20% acrylic polymers in matte finish with metallic flecks
- Scratch/Heat Resistant to 560°F Degrees
- Hygienic Non-Porous Surface
- Material is sound absorbing and stain-resistant
- Undermount Installation Clips Included
- Limited Lifetime Manufacturer's Warranty
- Professional Installation Recommended

Project Name: _____

Architect / Contractor: _____

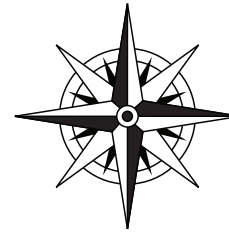
Job Notes: _____

Plymouth Collection

33 Inch Single Bowl Undermount
Granite Composite Kitchen Sink

model:

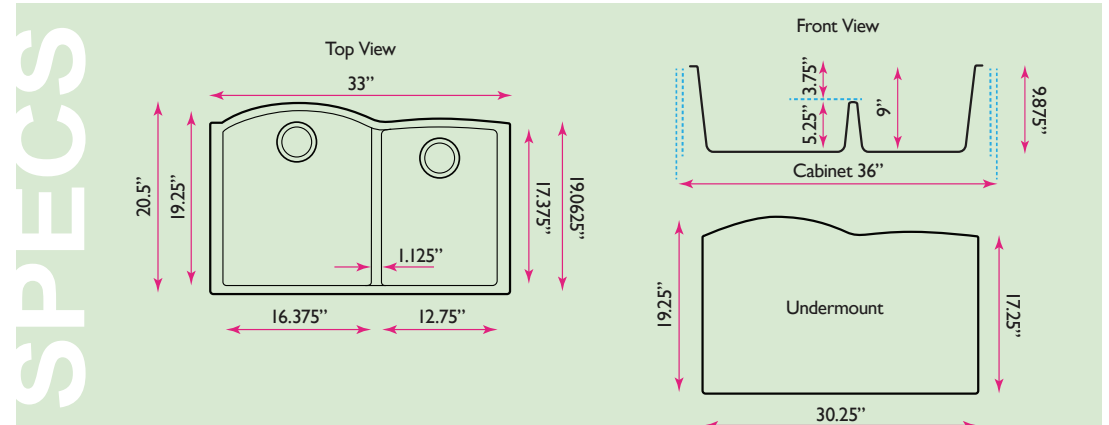
PR6040-BR-UM



Nantucket

S I N K S

www.NantucketSinksUSA.com
info@nantucketsinksusa.com



OVERALL DIMENSIONS	INTERIOR BOWLS	BOWL DEPTH	DRAIN DIMENSIONS	BOTTOM GRID
33" x 20.5"	19.25" x 16.375" Large 17.375" x 12.75" Small	9"	3.5" Standard Opening	Not Included

FEATURES:

- High Quality 80% stone and 20% acrylic polymers in matte finish with metallic flecks
- Scratch/Heat Resistant to 560°F Degrees
- Hygienic Non-Porous Surface
- Material is sound absorbing and stain-resistant
- Undermount Installation Clips Included
- Limited Lifetime Manufacturer's Warranty
- Professional Installation Recommended

Project Name: _____

Architect / Contractor: _____

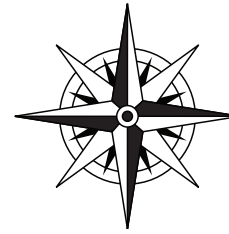
Job Notes: _____

Plymouth Collection

33 Inch Single Bowl Undermount
Granite Composite Kitchen Sink

model:

PR6040-BL-UM



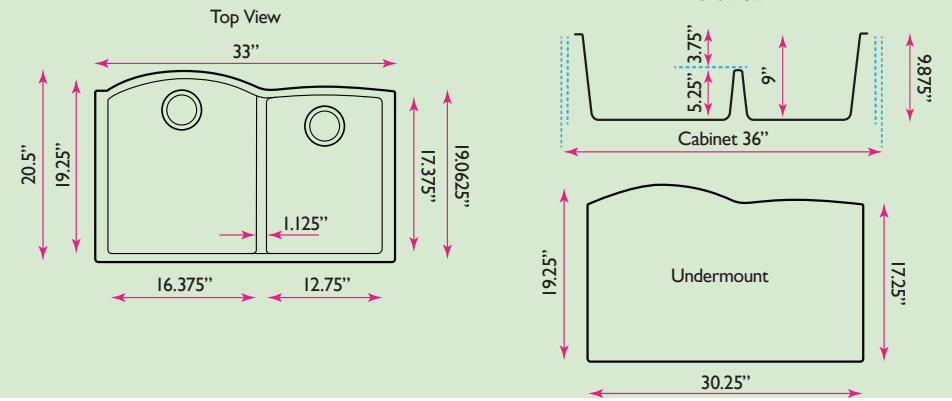
Nantucket

S I N K S

www.NantucketSinksUSA.com
info@nantucketsinksusa.com



SPECS



OVERALL DIMENSIONS	INTERIOR BOWLS	BOWL DEPTH	DRAIN DIMENSIONS	BOTTOM GRID
33" x 20.5"	19.25" x 16.375" Large 17.375" x 12.75" Small	9"	3.5" Standard Opening	Not Included

FEATURES:

- High Quality 80% stone and 20% acrylic polymers in matte finish with metallic flecks
- Scratch/Heat Resistant to 560°F Degrees
- Hygienic Non-Porous Surface
- Material is sound absorbing and stain-resistant
- Undermount Installation Clips Included
- Limited Lifetime Manufacturer's Warranty
- Professional Installation Recommended

Project Name: _____

Architect / Contractor: _____

Job Notes: _____
