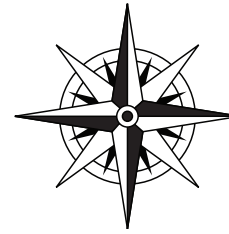


Plymouth Collection

33 Inch Single Bowl Undermount
Granite Composite Kitchen Sink

model:

PR3320-W-UM

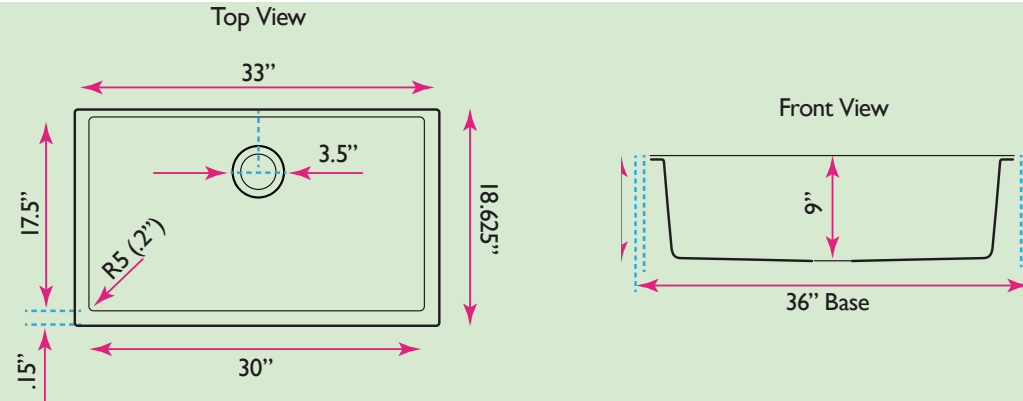


Nantucket
S I N K S

www.NantucketSinksUSA.com
info@nantucketsinksusa.com



SPECS



OVERALL DIMENSIONS	INTERIOR BOWL	INTERIOR BOWL DEPTH	DRAIN DIMENSIONS	BOTTOM GRID
33" x 18.625"	30" x 17.5"	9"	3.5" Drain Opening	N/A

FEATURES:

- High Quality 80% stone and 20% acrylic polymers composite in matte finish with metallic flecks
- Scratch/Heat Resistant to 560°F Degrees
- Material is sound absorbing and stain-resistant
- Non-porous surface is hygienic and scratch resistant
- Undermount Installation Clips Included
- Limited Lifetime Manufacturer's Warranty
- Professional Installation Recommended

Project Name: _____

Architect / Contractor: _____

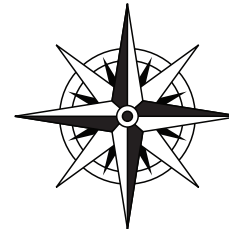
Job Notes: _____

Plymouth Collection

33 Inch Single Bowl Undermount
Granite Composite Kitchen Sink

model:

PR3320-TR-UM

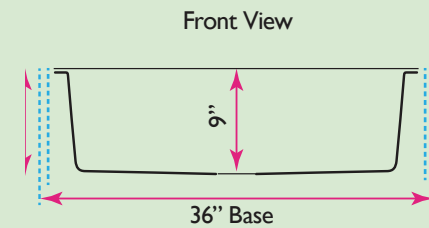
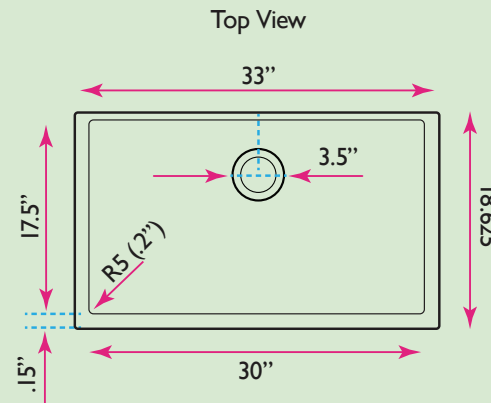


Nantucket
S I N K S

www.NantucketSinksUSA.com
info@nantucketsinksusa.com



SPECS



OVERALL DIMENSIONS	INTERIOR BOWL	INTERIOR BOWL DEPTH	DRAIN DIMENSIONS	BOTTOM GRID
33" x 18.625"	30" x 17.5"	9"	3.5" Drain Opening	N/A

FEATURES:

- High Quality 80% stone and 20% acrylic polymers composite in matte finish with metallic flecks
- Scratch/Heat Resistant to 560°F Degrees
- Material is sound absorbing and stain-resistant
- Non-porous surface is hygienic and scratch resistant
- Undermount Installation Clips Included
- Limited Lifetime Manufacturer's Warranty
- Professional Installation Recommended

Project Name: _____

Architect / Contractor: _____

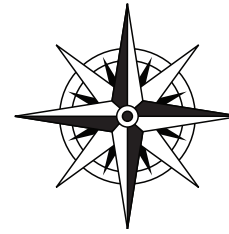
Job Notes: _____

Plymouth Collection

33 Inch Single Bowl Undermount
Granite Composite Kitchen Sink

model:

PR3320-S-UM

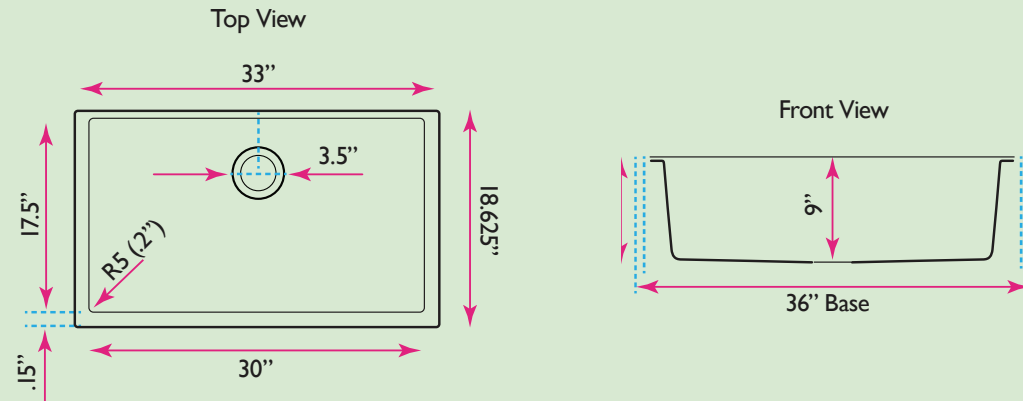


Nantucket
S I N K S

www.NantucketSinksUSA.com
info@nantucketsinksusa.com



SPECS



OVERALL DIMENSIONS	INTERIOR BOWL	INTERIOR BOWL DEPTH	DRAIN DIMENSIONS	BOTTOM GRID
33" x 18.625"	30" x 17.5"	9"	3.5" Drain Opening	N/A

FEATURES:

- High Quality 80% stone and 20% acrylic polymers composite in matte finish with metallic flecks
- Scratch/Heat Resistant to 560°F Degrees
- Material is sound absorbing and stain-resistant
- Non-porous surface is hygienic and scratch resistant
- Undermount Installation Clips Included
- Limited Lifetime Manufacturer's Warranty
- Professional Installation Recommended

Project Name: _____

Architect / Contractor: _____

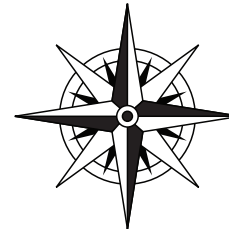
Job Notes: _____

Plymouth Collection

33 Inch Single Bowl Undermount
Granite Composite Kitchen Sink

model:

PR3320-TI-UM

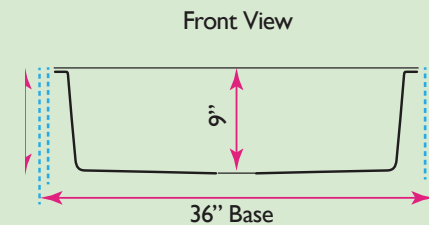
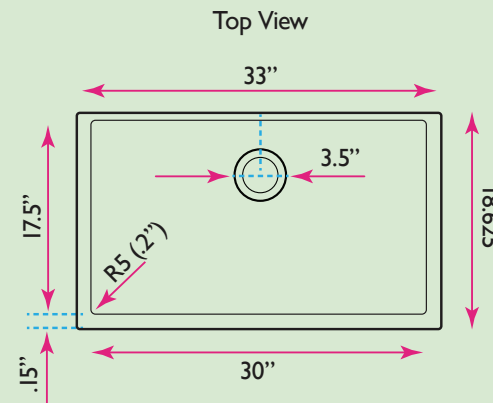


Nantucket
S I N K S

www.NantucketSinksUSA.com
info@nantucketsinksusa.com



SPECS



OVERALL DIMENSIONS	INTERIOR BOWL	INTERIOR BOWL DEPTH	DRAIN DIMENSIONS	BOTTOM GRID
33" x 18.625"	30" x 17.5"	9"	3.5" Drain Opening	N/A

FEATURES:

- High Quality 80% stone and 20% acrylic polymers composite in matte finish with metallic flecks
- Scratch/Heat Resistant to 560°F Degrees
- Material is sound absorbing and stain-resistant
- Non-porous surface is hygienic and scratch resistant
- Undermount Installation Clips Included
- Limited Lifetime Manufacturer's Warranty
- Professional Installation Recommended

Project Name: _____

Architect / Contractor: _____

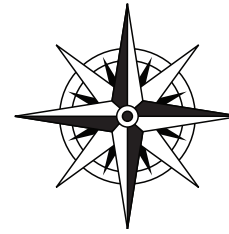
Job Notes: _____

Plymouth Collection

33 Inch Single Bowl Undermount
Granite Composite Kitchen Sink

model:

PR3320-BL-UM

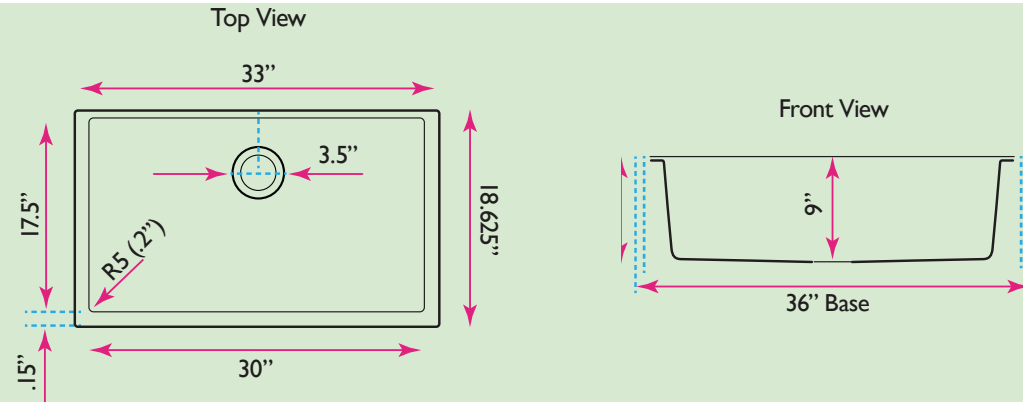


Nantucket
S I N K S

www.NantucketSinksUSA.com
info@nantucketsinksusa.com



SPECS



OVERALL DIMENSIONS	INTERIOR BOWL	INTERIOR BOWL DEPTH	DRAIN DIMENSIONS	BOTTOM GRID
33" x 18.625"	30" x 17.5"	9"	3.5" Drain Opening	N/A

FEATURES:

- High Quality 80% stone and 20% acrylic polymers composite in matte finish with metallic flecks
- Scratch/Heat Resistant to 560°F Degrees
- Material is sound absorbing and stain-resistant
- Non-porous surface is hygienic and scratch resistant
- Undermount Installation Clips Included
- Limited Lifetime Manufacturer's Warranty
- Professional Installation Recommended

Project Name: _____

Architect / Contractor: _____

Job Notes: _____
