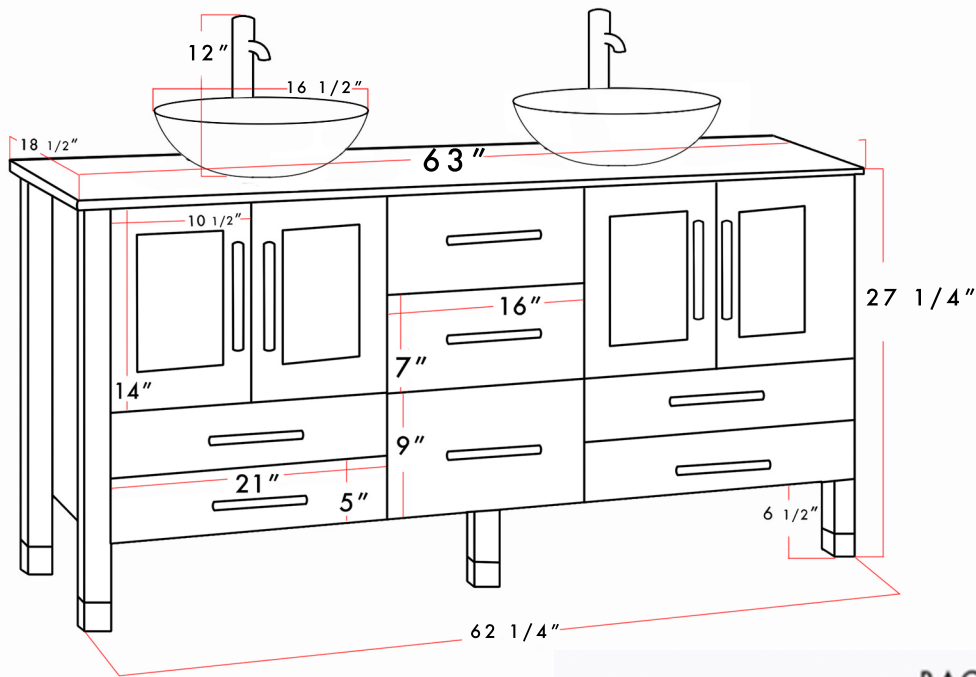
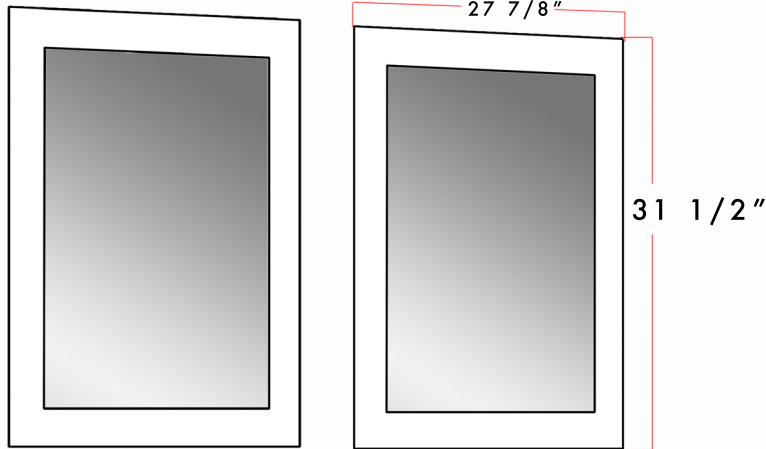


CAMBRIDGE PLUMBING

+/- 1/2" Tolerance

8119B

Tolerance +/- 1/2"



BACK

