

# TRÜ Faucets

BY PREMIER COPPER PRODUCTS

## MODEL NUMBER: B-BV01ORB

- \* Description: Single Handle Bar / Vessel Faucet
- \* Finish: Oil Rubbed Bronze
- \* Installation: Single Hole
- \* Overall Height: 11"
- \* Spout Reach: 6"
- \* Flow Rate: 1.2 GPM
- \* Certifications: ASME A112.18.1/CSA B125.1, NSF/ANSI 61, California Lead Plumbing Law, ADA Compliant



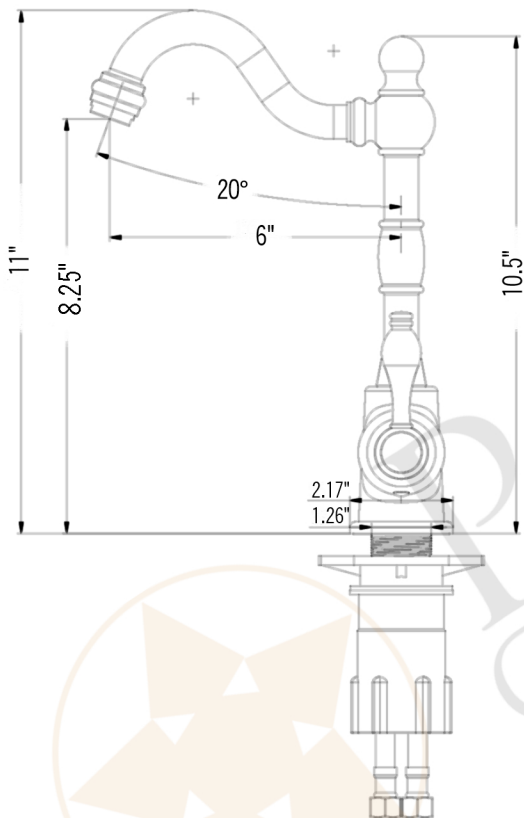
\* ORB: Oil Rubbed Bronze

### FEATURES:

- \* Solid Brass Construction
- \* Drip Free Ceramic Disc Cartridges
- \* 100% Factory Tested

### MODELS:

- \* B-BV01ORB-G Faucet w/ D-130ORB Garbage Disposal Drain
- \* B-BV01ORB-D Faucet w/ D-132ORB Strainer Drain
- \* B-BV01ORB-B Faucet w/ D-133ORB Bar Strainer Drain
- \* B-BV01ORB-N Faucet w/ D-208ORB Non-Overflow Pop-up Drain
- \* B-BV01ORB-T Faucet w/ D-207ORB Tear Drop Grid Drain



# TRÜ Faucets

BY PREMIER COPPER PRODUCTS

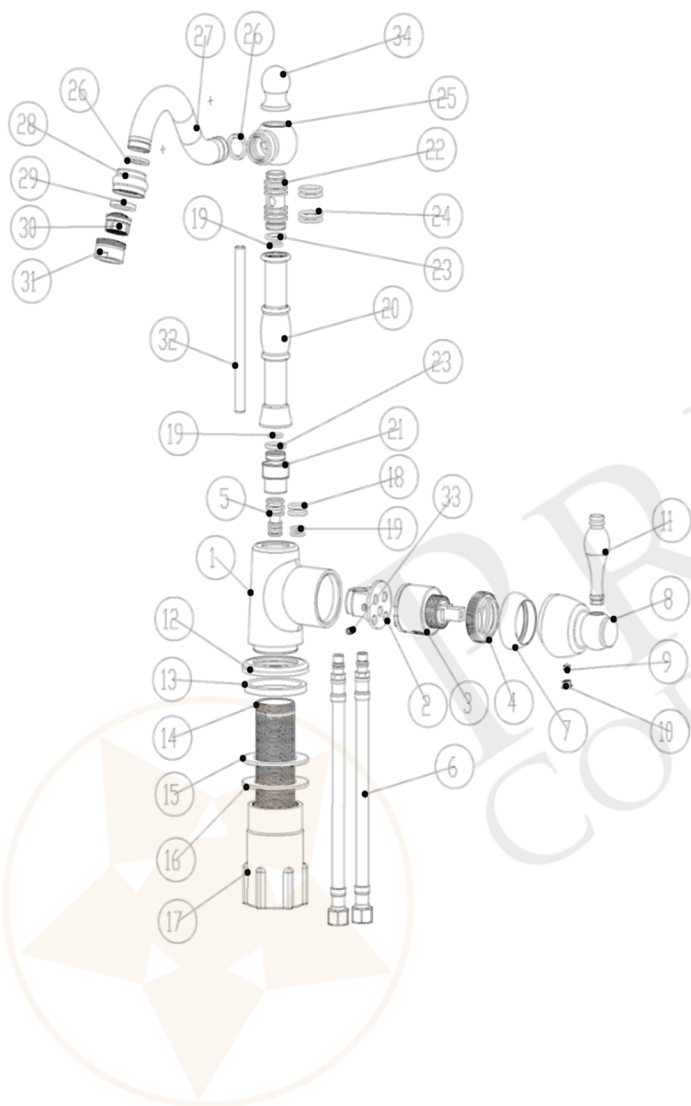
## MODEL NUMBER: B-BV01ORB

- \* Description: Single Handle Bar / Vessel Faucet
- \* Finish: Oil Rubbed Bronze
- \* Installation: Single Hole
- \* Overall Height: 11"
- \* Spout Reach: 6"
- \* Flow Rate: 1.2 GPM
- \* Certifications: ASME A112.18.1/CSA B125.1, NSF/ANSI 61, California Lead Plumbing Law, ADA Compliant



\* ORB: Oil Rubbed Bronze

### EXPLODED PARTS VIEW:



### PARTS LISTING:

34	11071XX	Decorative Head	1	BRASS
33	0901100	Inner Hex Locking Screw	1	SUS304
32	N0303300	Copper Tube	1	BRASS
31	15002XX	Spout Body	1	BRASS
30	N0600998	Aerator	1	PLASTIC
29	N0550200	Washer	1	N7118F
28	N04162XX	Spout	1	BRASS
27	N14115XX	Spout Pipe	1	BRASS
26	N0550300	Washer	2	N7118F
25	X04001XX	Swivel Head	1	BRASS
24	N0501300	O-ring	4	N7118F
23	N0500200	O-ring	2	N7118F
22	X0416500	Swivel Joint	1	BRASS
21	X0416800	Joint	1	BRASS
20	03199XX	Joint Pipe	1	BRASS
19	N0503000	O-ring	4	N7118F
18	N0504600	O-ring	2	N7118F
17	1200213	Lock Nut	1	BRASS+PP
16	1801210	Steel Gasket	1	Q235
15	0550500	Washer	1	NBR
14	0300800	Thread Pipe	1	SUS201
13	0551400	Washer	1	NBR
12	16110XX	Gasket	1	BRASS
11	01109XX	Handle Lever	1	BRASS
10	10002XX	Handle Screw Cover	1	ABS
9	0902800	Inner Hex Locking Screw	1	SUS304
8	01108XX	Handle	1	BRASS
7	11033XX	Canopy	1	BRASS
6	N8601400	SS Flex	2	COMBINATION
5	X0416900	Joint	1	BRASS
4	1100200	Cartridge Lock Nut	1	BRASS
3	N7130798	Cartridge	1	CERAMIC
2	X1611300	Cartridge Base	1	BRASS
1	08087XX	Body	1	BRASS
NO.	MODEL	PART NAME	QTY	MATERIAL