



PREMIER  
COPPER PRODUCTS

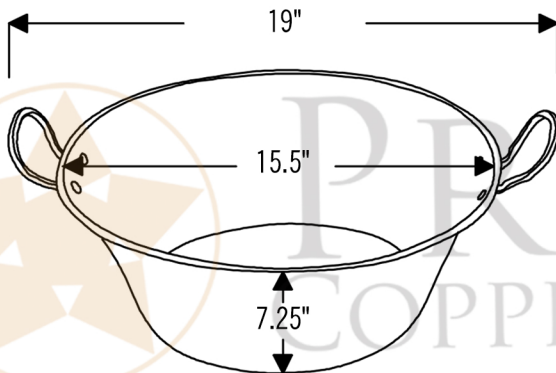
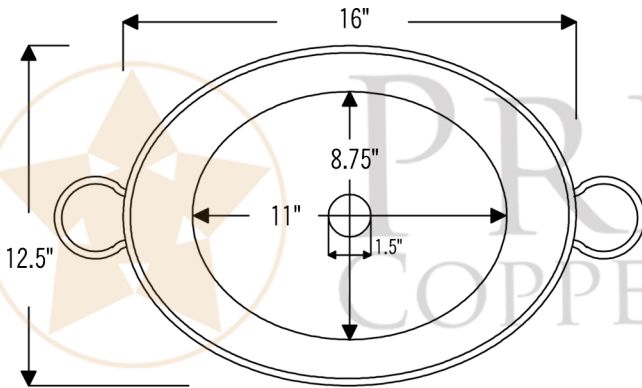
MODEL NUMBER: VOB16PC

CODE/STANDARD COMPLIANCE

\* IAPMO/cUPC LISTED



- \* Description: Oval Bucket Vessel Hammered Copper Sink with Handles in Polished Copper
- \* Outer Dimension: 19" x 12.5" x 7.25" (with handles)
- \* Outer Dimension: 16" x 12.5" x 7.25" (without handles)
- \* Inner Dimension: 15.5" x 12" x 7.25"
- \* Bottom Dimension: 11" x 8.75"
- \* Rim: Hammered Heavy Gauge Rim
- \* Drain Opening: 1.5"
- \* Finish: Polished Copper



THIS PRODUCT IS HAND CRAFTED, SMALL VARIANCES IN COLOR AND SIZE MAY OCCUR.  
DO NOT MAKE ANY INSTALLATION CUTS UNTIL YOU RECEIVE YOUR ITEM(S).



PREMIER  
COPPER PRODUCTS

MODEL NUMBER: VOB16DB

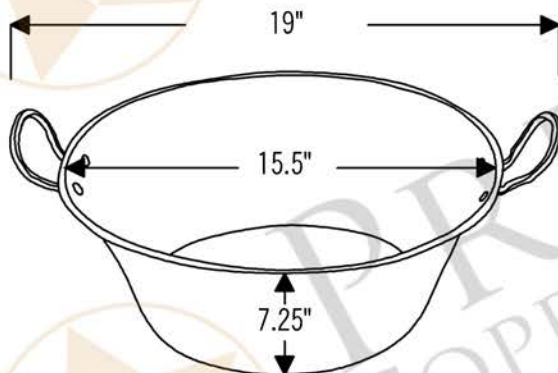
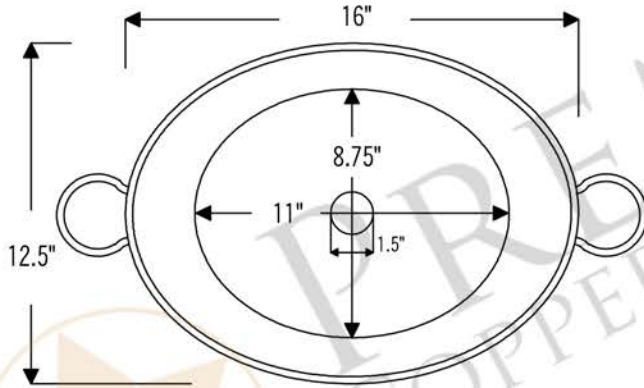
- \* Description: Oval Bucket Vessel Hammered Copper Sink with Handles
- \* Outer Dimension: 19" x 12.5" x 7.25" (with handles)
- \* Outer Dimension: 16" x 12.5" x 7.25" (without handles)
- \* Inner Dimension: 15.5" x 12" x 7.25"
- \* Bottom Dimension: 11" x 8.75"
- \* Rim: 1/4" Wire Rim
- \* Drain Opening: 1.5"
- \* Finish: Oil Rubbed Bronze

CODE/STANDARD COMPLIANCE

\* IAPMO/cUPC LISTED



\* ORB: Oil Rubbed Bronze



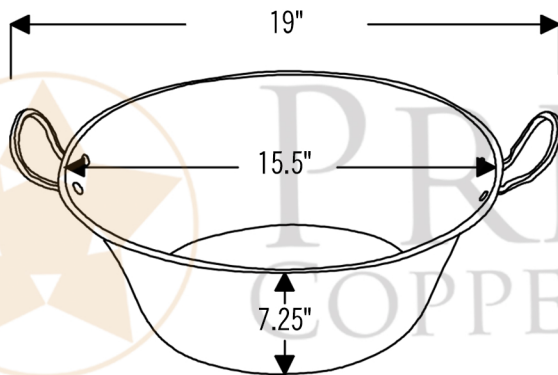
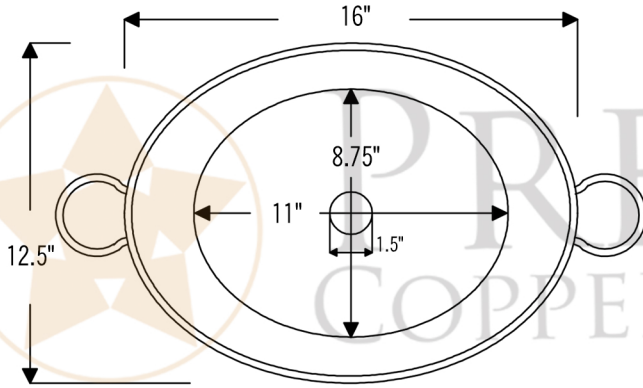
THIS PRODUCT IS HAND CRAFTED, SMALL VARIANCES IN COLOR AND SIZE MAY OCCUR.  
DO NOT MAKE ANY INSTALLATION CUTS UNTIL YOU RECEIVE YOUR ITEM(S).



PREMIER  
COPPER PRODUCTS

## MODEL NUMBER: VOB16EN

- \* Description: Oval Bucket Vessel Hammered Copper Sink with Handles in Nickel
- \* Outer Dimension: 19" x 12.5" x 7.25" (with handles)
- \* Outer Dimension: 16" x 12.5" x 7.25" (without handles)
- \* Inner Dimension: 15.5" x 12" x 7.25"
- \* Bottom Dimension: 11" x 8.75"
- \* Rim: 1/4" Wire Rim
- \* Drain Opening: 1.5"
- \* Finish: Nickel



THIS PRODUCT IS HAND CRAFTED, SMALL VARIANCES IN COLOR AND SIZE MAY OCCUR.  
DO NOT MAKE ANY INSTALLATION CUTS UNTIL YOU RECEIVE YOUR ITEM(S).