

ASHLEY WALL-HUNG BASIN

CAT. NO
4-916X



Faucet not included



Mounting hardware

W: 19-3/4"
D: 15-5/8"
H: 7-3/4"

Interior Dimensions:

Basin interior:	9-1/2" x 15-5/8"
Basin depth:	5-1/2"
Faucet and spout holes:	1-1/2" & 2"
Back of basin to center of faucet:	1-1/4"
Back of basin to center of drain:	7-3/4"
Mount holes cc:	6"

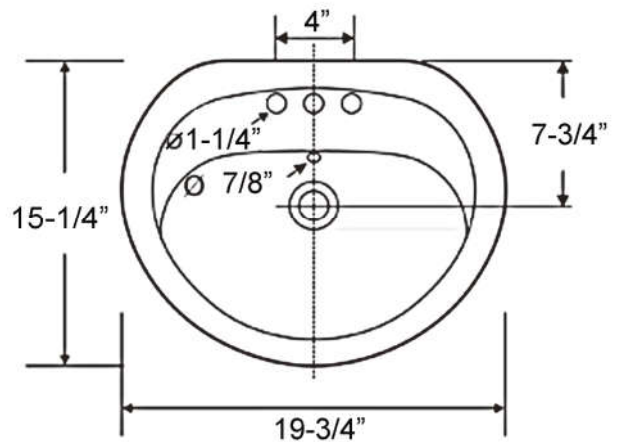
Features:

- ▶ Made of Vitreous China
- ▶ Available pre-drilled for single hole (**4-9161**) or 4" centerset (**4-9164**)
- ▶ Pre-drilled overflow
- ▶ Mounting hardware included
- ▶ cUPC approved



Colors:
WH White

Meets or exceeds the following specifications: ASME A112.19.2 2013 and CSA B45.1-13 for ceramic plumbing fixtures.



Dimensions of fixture are nominal and may vary within the range of tolerances established by ASME Standard A112.19.2. Dimensions and specifications subject to change without notice.