

BANKS WALL-HUNG BASIN

CAT. NO
4-915X



Faucet not included



Mounting hardware

W: 20-1/2"
D: 17-3/8"
H: 7-3/4"

Interior Dimensions:

Basin interior:	16-1/4" x 10-1/2"
Basin depth:	6"
Faucet and spout holes:	2" & 1-1/4"
Back of basin to center of faucet:	2-3/8"
Back of basin to center of drain:	7-1/2"
Mount holes cc:	7-1/4"

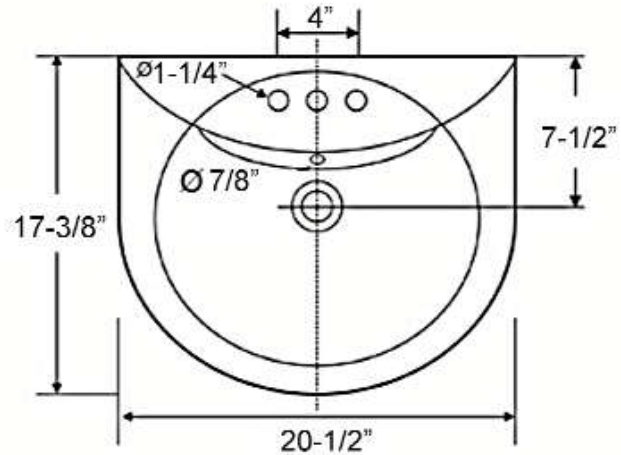
Features:

- ▶ Made of Vitreous China
- ▶ Available pre-drilled for single hole (**4-9151**) or 4" centerset (**4-9154**)
- ▶ Overflow
- ▶ Decorative overflow cover included
- ▶ Mounting hardware included
- ▶ cUPC approved



Colors:
WH White

Meets or exceeds the following specifications: ASME A112.19.2 2013 and CSA B45.1-13 for ceramic plumbing fixtures.



Dimensions of fixture are nominal and may vary within the range of tolerances established by ASME Standard A112.19.2. Dimensions and specifications subject to change without notice.