

# 18" WALL HUNG BASIN

Cat. No  
4-9130



Faucet not included

W: 17-3/8"  
D: 9-1/8"  
H: 5-1/8"

## Features:

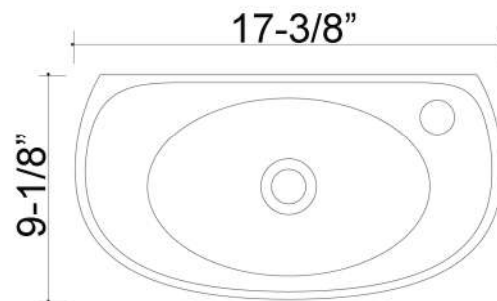
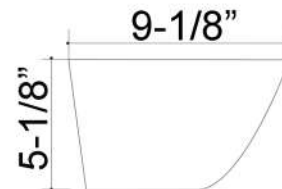
- ▶ Wall hung basin
- ▶ Made of Vitreous China
- ▶ Pre-drilled with 1-3/8" single faucet hole
- ▶ Pre-drilled overflow
- ▶ Mounting hardware included
- ▶ Drain not provided
- ▶ Chrome overflow cover included

Colors  
WH White

Meets or exceeds the following specifications: ASME A112.19.2 2013 and CSA B45.1-13 for ceramic plumbing fixtures.

## Interior Dimensions:

Basin Interior:	11" x 6-1/2"
Basin Depth:	5-1/4"
Back of basin to center of faucet:	2-3/8"
Back of basin to center of drain:	4"
Mount holes cc:	4-3/4"
Faucet hole diameter:	1-3/8"



Dimensions of fixture are nominal and may vary within the range of tolerances established by ASME Standard A112.19.2.2013. Dimensions and specifications subject to change without notice.