

CULVER CORNER WALL HUNG BASIN

Cat. No
4-9022



Faucet not included



Mounting hardware

W: 17-5/8"
D: 12-1/4"
H: 5"

Interior Dimensions:

Basin Interior: 7" x 14-1/2"
Basin Depth: 3-1/8"
Back of basin to center of faucet: 2-3/8"
Back of basin to center of drain: 7-1/2"
Faucet hole diameter: 1-3/8"

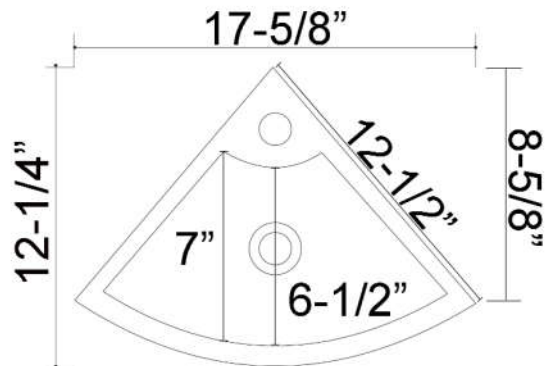
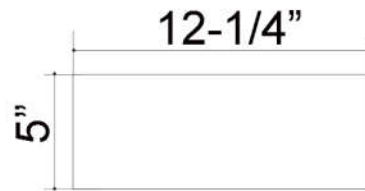
Features:

- ▶ Made of Vitreous China
- ▶ Predrilled with 1-3/8" single faucet hole
- ▶ Mounting hardware included
- ▶ IAPMO certified
- ▶ Overflow is provided
- ▶ Drain not provided
- ▶ Chrome overflow cover included



Compliance Certification
Meets or exceeds the following specifications: ASME A112.19.2.2013 for Vitreous china fixtures.

Colors:
WH White



Dimensions of fixture are nominal and may vary within the range of tolerances established by ANSI Standard A112.19.2.2013. Dimensions and specifications subject to change without notice.