

# ANDERS WALL HUNG BASIN

Cat. No.  
4-300X



Faucet not included



Back View



Mounting hardware

W: 34-3/8  
D: 22-3/8  
H: 9-1/4

Back of basin to center of faucet: 2-1/2"  
Back of basin to center of drain: 9-3/4"

## Interior Dimensions:

Basin Interior: 13-3/8" x 18-3/8"  
Basin Depth: 7-1/8"  
Mount holes cc: 24"  
Faucet and spout holes: 1-1/2"  
Drain hole: 2"

## Features:

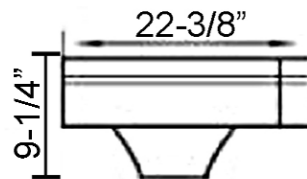
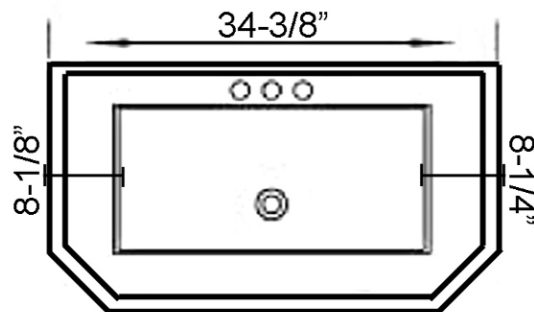
- ▶ Wall hung basin
- ▶ Made of vitreous china
- ▶ Mounting hardware included
- ▶ Available pre-drilled for single hole (4-3001), 4" centerset (4-3004), or 8" widespread (4-3008) faucet
- ▶ Pre-drilled overflow

## Colors:

White

## Compliance Certification

Meets or exceeds the following specifications: ASME 12.19.2.2013 for vitreous china fixtures.



Dimensions of fixture are nominal and may vary within the range of tolerances established by ASME Standard A112.19.2.2013. Dimensions and specifications subject to change without notice.